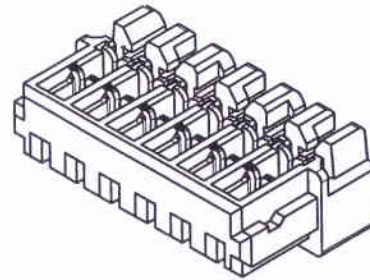
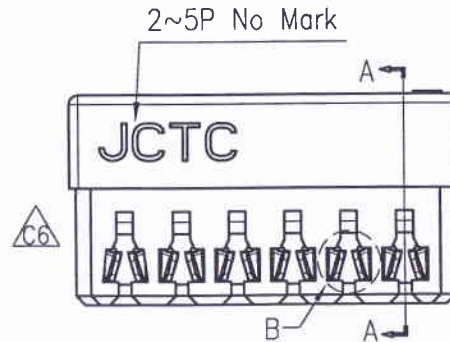
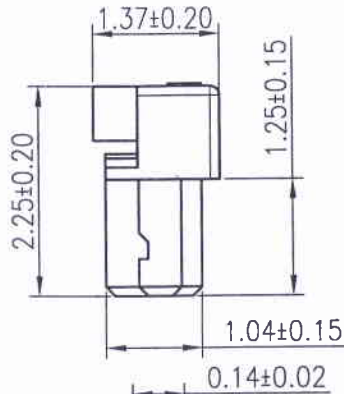
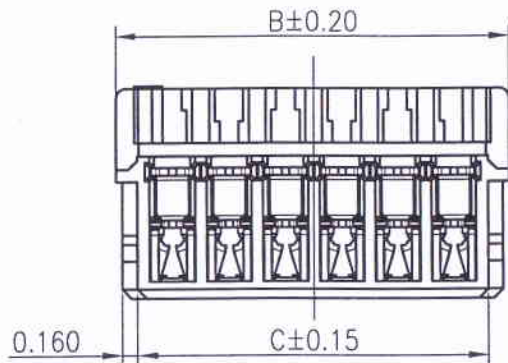


SEC:A-A



Specifications:  
 Voltage Rating : 50V AC/DC  
 Current Rating : 0.2A AC/DC  
 Withstand Voltage : 200V AC/minute  
 Contact Resistance : 30mΩ(MAX.)  
 Insulation Resistance : 100MΩ(MIN.)  
 Temperature Range : -25°C~+85°C  
 Applicable Wire: AWG #34  
 Insulation O.D.: 0.32mm  
 The product using material and processing must conform to the "WI-PZ-142"HSF technical standard control requirements

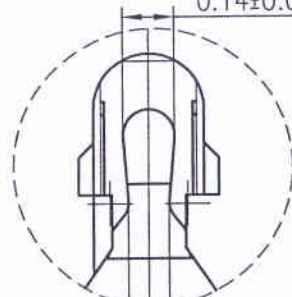
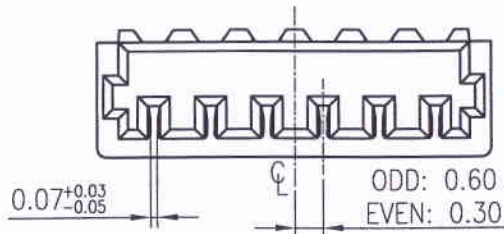


Circuits	Dimensions		
	A	B	C
2P	0.60	1.80	1.34
4P	1.80	3.00	2.54
5P	2.40	3.60	3.14
6P	3.00	4.20	3.74
7P	3.60	4.80	4.34
8P	4.20	5.40	4.94
10P	5.40	6.60	6.14
12P	6.60	7.80	7.34

50601H00-NPA-5A-HF-34

① ② ③④⑤ ⑥ ⑦

- ① Series No.
- ② H90 : Side Contact  
H00 : Up Contact
- ③ No. of Circuits
- ④ A : Black
- ⑤ 5A : Gold-flash  
5G : Au 15u"
- ⑥ HF : Halogen Free
- ⑦ 34 : AWG #34

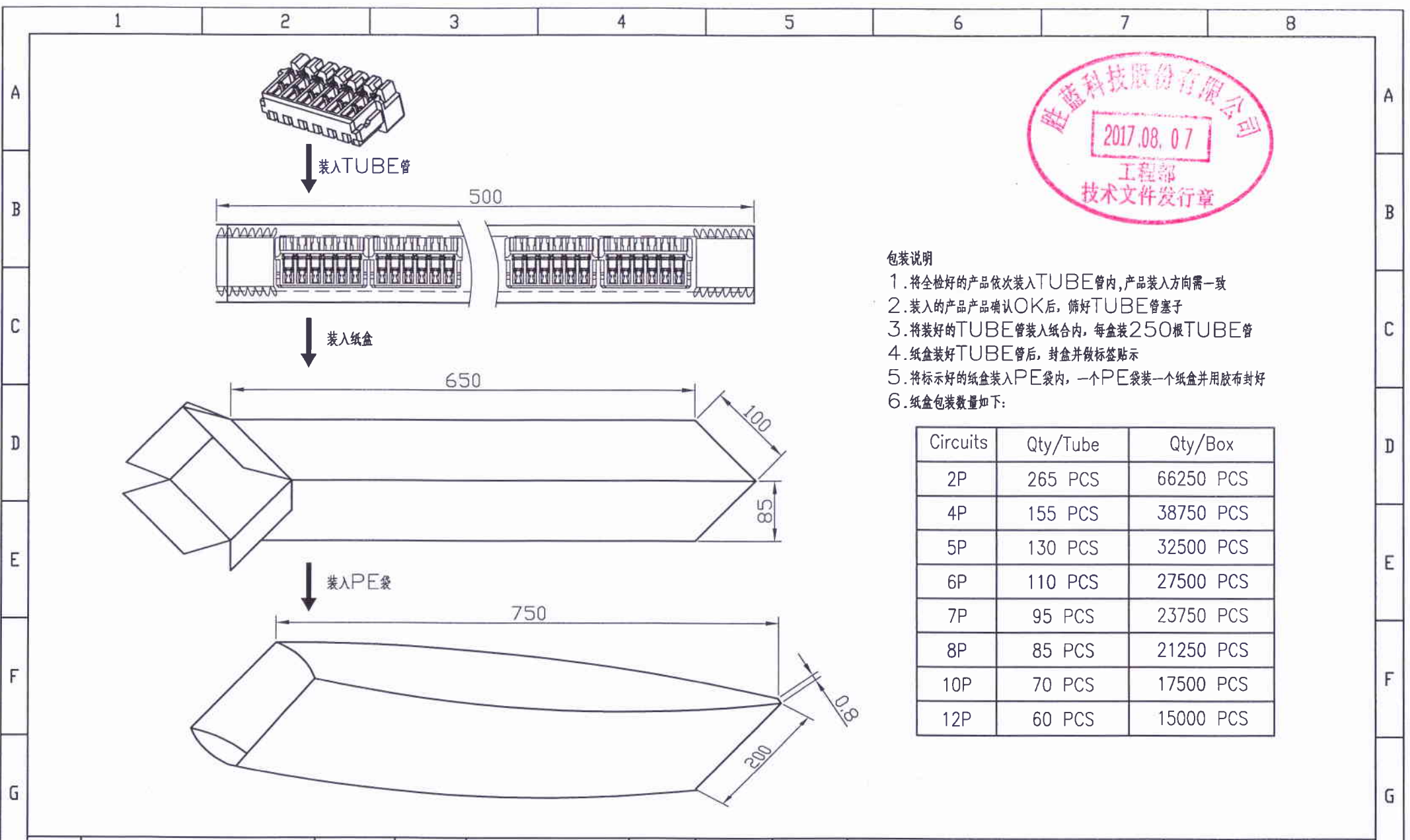


DETAIL "A"  
SCALE 4:1

Part No.	Material	Color	Terminal Material
50601H00-NPA-5A-HF-34	LCP,UL94V-0	Black	Phosphor Bronze/Gold-flash
50601H00-NPA-5G-HF-34	LCP,UL94V-0	Black	Phosphor Bronze/Gold-Plated

REV.	REVISION RECORD	DATE	UNIT: MM	GENERAL TOLERANCES	SCALE:	NAME	DATE	JCTC® 胜蓝科技股份有限公司	PART. NO.:
C3	HN1506170102	15. 07. 20		LINEAR	1:1			TERMINAL&CONNECTORS 东莞市富智达电子科技有限公司	50601H00-NPA-XX-HF-34
C4	HN1606150079	16. 06. 15		ANGLES					DWG. NO.:
C5	HN1608150121	16. 08. 15		0.0 ± 0.25					ENDE05
C6	依WR1707060099优化产品	17. 08. 03	SIZE: A4	0.00 ± 0.15					REV: C6
				0.000 ± 0.08				TITLE: 0.6mm PITCH 刺破 Housing	SHEET: 1/2

8P透视图



包装说明

1. 将全检好的产品依次装入TUBE管内, 产品装入方向需一致
2. 装入的产品产品确认OK后, 备好TUBE管塞子
3. 将装好的TUBE管装入纸盒内, 每盒装250根TUBE管
4. 纸盒装好TUBE管后, 封盒并做标签贴示
5. 将标示好的纸盒装入PE袋内, 一个PE袋装一个纸盒并用胶布封好
6. 纸盒包装数量如下:

Circuits	Qty/Tube	Qty/Box
2P	265 PCS	66250 PCS
4P	155 PCS	38750 PCS
5P	130 PCS	32500 PCS
6P	110 PCS	27500 PCS
7P	95 PCS	23750 PCS
8P	85 PCS	21250 PCS
10P	70 PCS	17500 PCS
12P	60 PCS	15000 PCS

REV.	REVISION RECORD	DATE	GENERAL TOLERANCES		SCALE:	NAME	DATE	PART. NO: 50601H00-NPA-XX-HF-34
C0	新图面发行	14.05.22	LINEAR	ANGLES	1:1			
C1	变更公司名称	17.01.06	0.0±0.25	X° REF±6°	APPROVED	邓群庄	17.01.06	
			UNIT: MM	X° ±3°	DESIGNER	邓群庄	17.01.06	
			SIZE: A4	0.000±0.08	DRAWN	邓群庄	17.01.06	
TITLE: 0.6mm PITCH 刺破 HOUSING								DWG. NO: ENDE05
								REV: C1 SHEET: 2/2

**JCTC**® 胜蓝科技股份有限公司  
TERMINAL&CONNECTORS 东莞市富智达电子科技有限公司