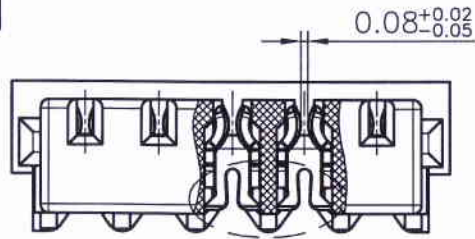
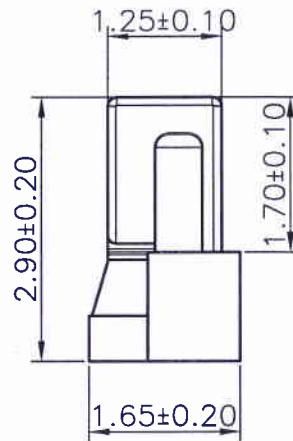
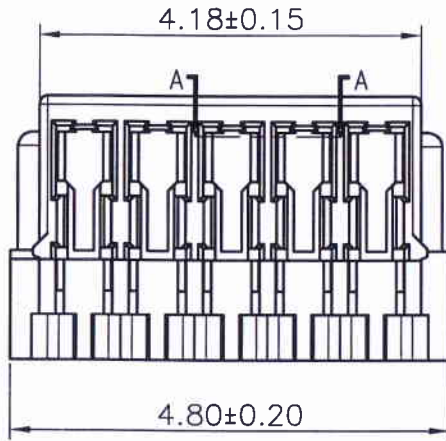
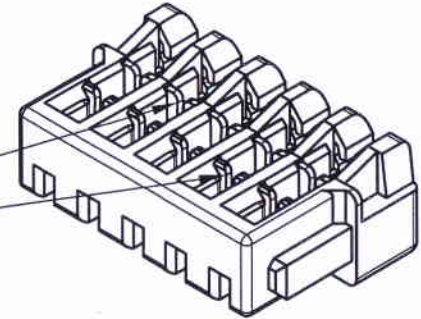
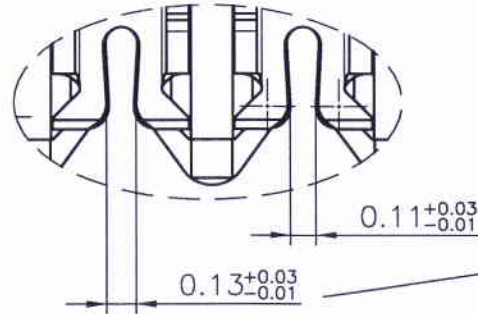


RoHS

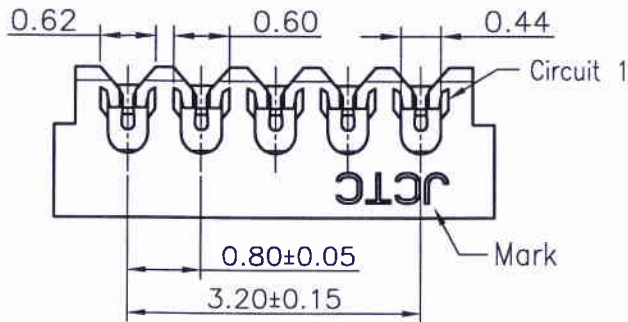


SECTION: A-A



Specifications:

- Rated Voltage : 30V AC/DC
- Rated Current : 0.5A AC,DC
- Withstand Voltage : 200V AC/minute
- Contact Resistance : 30mΩ(MAX.)
- Insulation Resistance : 100MΩ(MIN.)
- Temperature Range : -25°C~+85°C
- Pitch Between Poles : 0.80mm
- Applicable Wire: AWG #34
- Insulation O.D.: 0.32mm



50801H00-NP-S1
① ② ③ ④

- ① Series No.
- ② H90 : Side Contact
H00 : Up Contact
- ③ No. of Circuits
- ④ S1 : S1 Type

Part No.	Material	Color	Terminal Material
50801H00-5P-S1	Nylon 46,UL94V-0	本色	Phosphor Bronze/Tin-plated

REV.	REVISION RECORD	DATE	GENERAL TOLERANCES	SCALE:	NAME	DATE	PART. NO: 50801H00-5P-S1
C0	换图框发行	10.06.21	LINEAR	1:1	APPROVED		
C1	TN1011080123	10.11.08	0.0±0.25	X° REF±6°	DESIGNER		DWG. NO: ENDE05
C2	变更公司名称	17.03.20	0.00±0.15	X° ±3°	DRAWN		REV: C2 SHEET: 1/1
			0.000±0.08	X° X'±2°			

JCTC 胜蓝科技股份有限公司
TERMINAL&CONNECTORS 东莞市富智达电子科技有限公司

TITLE: JST0.8 刺破0.80mm PITCH HOUSING