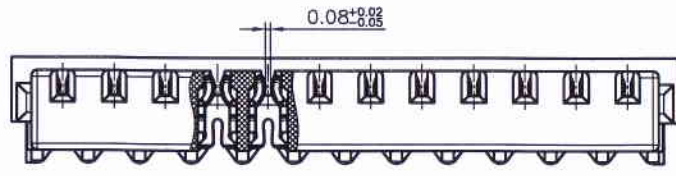
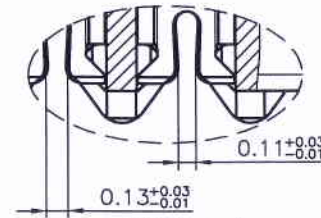


RoHS

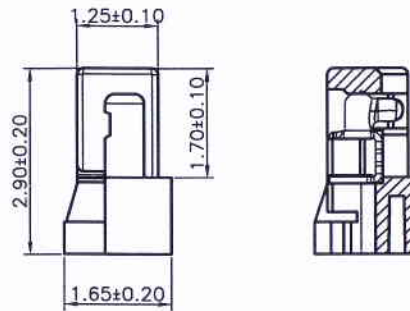
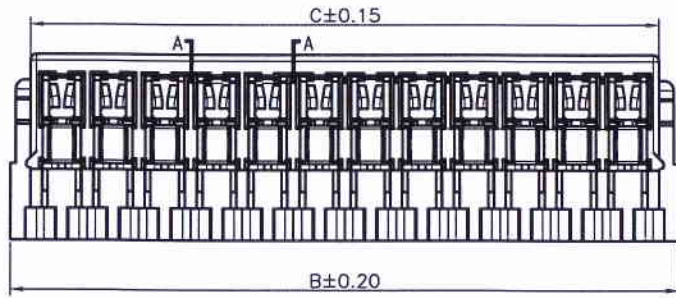
Specifications:
 Rated Voltage : 30V AC/DC
 Rated Current : 0.5A AC,DC
 Withstand Voltage : 200V AC/minute
 Contact Resistance : 30mΩ(MAX.)
 Insulation Resistance : 100MΩ(MIN.)
 Temperature Range : -25°C~+85°C
 Applicable Wire: AWG #34
 Insulation O.D.: 0.32mm



SECTION: A-A



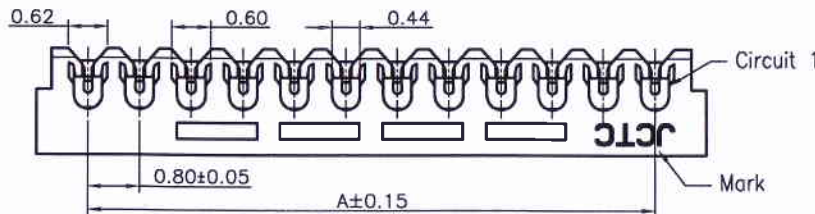
SEC: A-A
SCALE: 2.5:1



Dimensional Ordering Information:			
Circuits Part No	Dimensions		
	A	B	
12P	8.80	10.40	9.78
14P	10.40	12.00	11.38

50801H00-NP-5A-34-S4
 ① ② ③ ④ ⑤ ⑥

- ① Series No.
- ② H90 : Side Contact
H00 : Up Contact
- ③ No. of Circuits
- ④ 5A : Gold-flash
- ⑤ 34 : AWG #34
- ⑥ S4 : S4 Type



Part No.	Material	Color	Terminal Material
50801H00-NP-5A-34-S4	Nylon 46,UL94V-0	Natural(White)	Phosphor Bronze/Gold-flash

REV.	REVISION RECORD	DATE	GENERAL TOLERANCES	SCALE:	NAME	DATE	PART. NO: 50801H00-NP-5A-34-S4
C0	换图框发行	13. 11. 04	LINEAR	1:1			
C1	变更公司名称	17. 03. 20	0.0±0.25	APPROVED			
			0.00±0.15	DESIGNER			REV: C1 SHEET: 1/1
			0.00±0.08	DRAWN	卢小锋	17.03.20	

JCTC 胜蓝科技股份有限公司
 TERMINAL&CONNECTORS 东莞市富智达电子科技有限公司

TITLE:
JST0.8 刺破0.80mm PITCH HOUSING