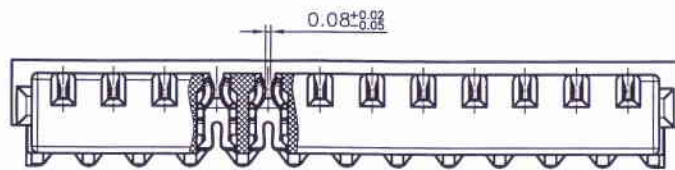
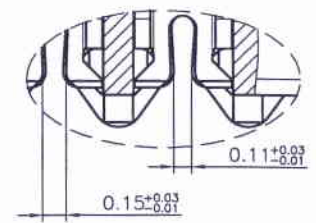


RoHS

Specifications:
 Rated Voltage : 30V AC/DC
 Rated Current : 0.5A AC,DC
 Withstand Voltage : 200V AC/minute
 Contact Resistance : 30mΩ(MAX.)
 Insulation Resistance : 100MΩ(MIN.)
 Temperature Range : -25°C~+85°C

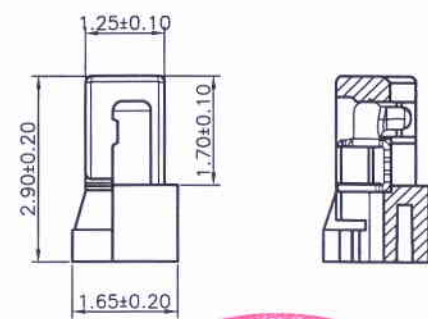
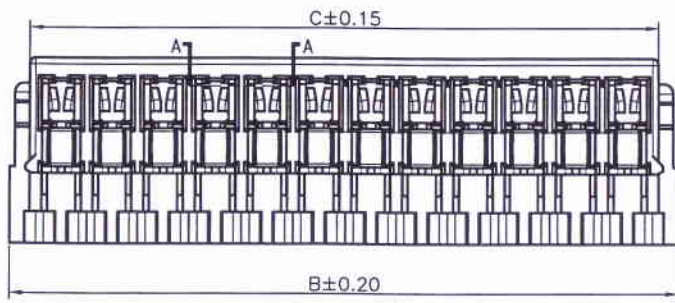


SECTION: A-A



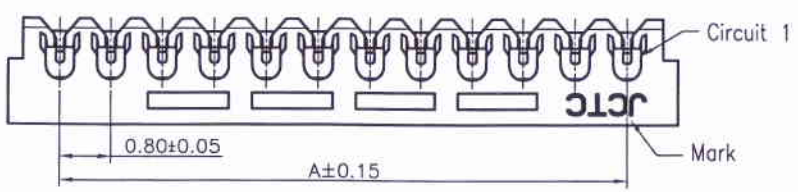
SEC: A-A
SCALE: 2.5:1

Dimensional Ordering Information:			
Circuits Part No	Dimensions		
	A	B	C
12P	8.80	10.40	9.78
14P	10.40	12.00	11.38
14P	12.80	14.40	13.78



50801H00-NPA-5A-HF-S4
 ① ② ③④⑤⑥⑦

- ① Series No.
- ② H90 : Side Contact
H00 : Up Contact
- ③ No. of Circuits
- ④ X : Product color(A--Y)
A : Black type
- ⑤ 5A : Gold-flash
- ⑥ HF : Halogen Free
- ⑦ S4 : S4 Type



Applicable Wire: AWG #32(Insulation O.D.: 0.38mm)

Part No.	Material	Color	Terminal Material
50801H00-NP-5A-HF-S4	Nylon 66,UL94V-0	Natural(White)	Phosphor Bronze/Gold-flash
50801H00-NPA-5A-HF-S4	Nylon 66,UL94V-0	Black	Phosphor Bronze/Gold-flash

REV.	REVISION RECORD	DATE	GENERAL TOLERANCES		SCALE:	NAME	DATE	JCTC® 胜蓝科技股份有限公司 TERMINAL&CONNECTORS 东莞市富智达电子科技有限公司	PART. NO:
C0	换图框发行	14.03.26	LINEAR	ANGLES	1:1				50801H00-NPX-5A-HF-S4
C1	依170310044新增17P规格	17.06.12	0.0±0.25	X° REF±6°	APPROVED	卢小锋	17.06.12	DWG. NO:	
			UNIT: MM	0.00±0.15	DESIGNER	卢小锋	17.06.12	ENDE05	
			SIZE: A4	0.000±0.08	DRAWN	卢小锋	17.06.12	REV: C1	
				X° ±3°				SHEET: 1/1	
				X° X'±2°					

TITLE: JST0.8 刺破0.80mm PITCH HOUSING