

1 2 3 4 5 6 7 8

A

B

C

D

E

F

G

H

A

B

C

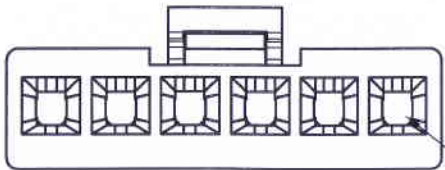
D

E

F

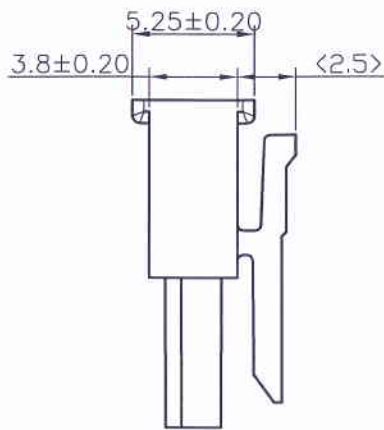
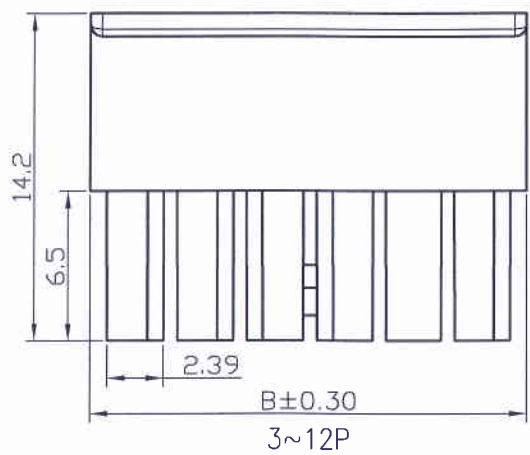
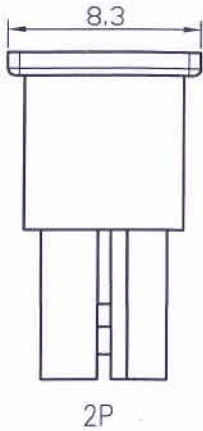
G

H



Circuit 1

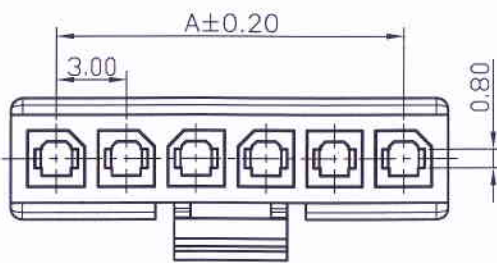
Specifications:  
 Rated Voltage : 250V AC/DC  
 Rated Current : 5A AC,DC  
 Withstand Voltage : 1500V AC/minute  
 Contact Resistance : 10mΩ(MAX.)  
 Insulation Resistance : 1000MΩ(MIN.)  
 Temperature Range : -25°C~+85°C  
 The product using material and processing must conform to the "WI-PZ-142" HSF technical standard control requirements



33001H00-NPX-F-HF-NK  
 ① ② ③④⑤ ⑥ ⑦

- ① Series No.
- ② H00: Up Contact
- ③ No. of Circuits
- ④ X: Product color (A--Y)  
Blank: Natural type  
A: Black
- ⑤ F: F Type
- ⑥ HF: Halogen Free
- ⑦ NK: No Mark

Circuits Part No	Dimensions	
	A	B
2P	--	6.85
3P	6.00	9.85
4P	9.00	12.85
5P	12.00	15.85
6P	15.00	18.85
7P	18.00	21.85
8P	21.00	24.85
9P	24.00	27.85
10P	27.00	30.85
11P	30.00	33.85
12P	33.00	36.85



Part No.	Material	Color
33001H00-NPA-F-HF-NK	Nylon 66,UL94V-0	Black

REV.	REVISION RECORD	DATE	UNIT: MM	GENERAL TOLERANCES		SCALE: 1:1	NAME	DATE
				LINEAR	ANGLES			
A0	新图面发行	19.08.15		0.0±0.25	X° REF±6°			
				0.00±0.15	X° ±3°			
			SIZE: A4	0.000±0.08	X° X'±2°		伍文聪	19.08.15

<b>JCTC</b> ® 胜蓝科技股份有限公司 TERMINAL&CONNECTORS 东莞市富智达电子科技有限公司		PART NO: 33001H00-NPX-F-HF-NK
TITLE: 3.00mm PITCH HOUSING (单排)		DWG NO: ENDE05
REV: A0	SHEET: 1/2	

1 2 3 4 5 6 7 8

1 2 3 4 5 6 7 8

A

A

B

B

C

C

D

D

E

E

F

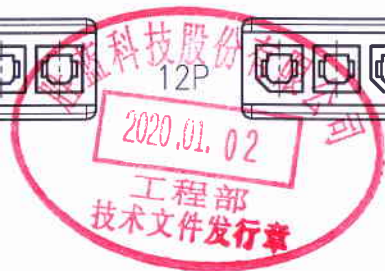
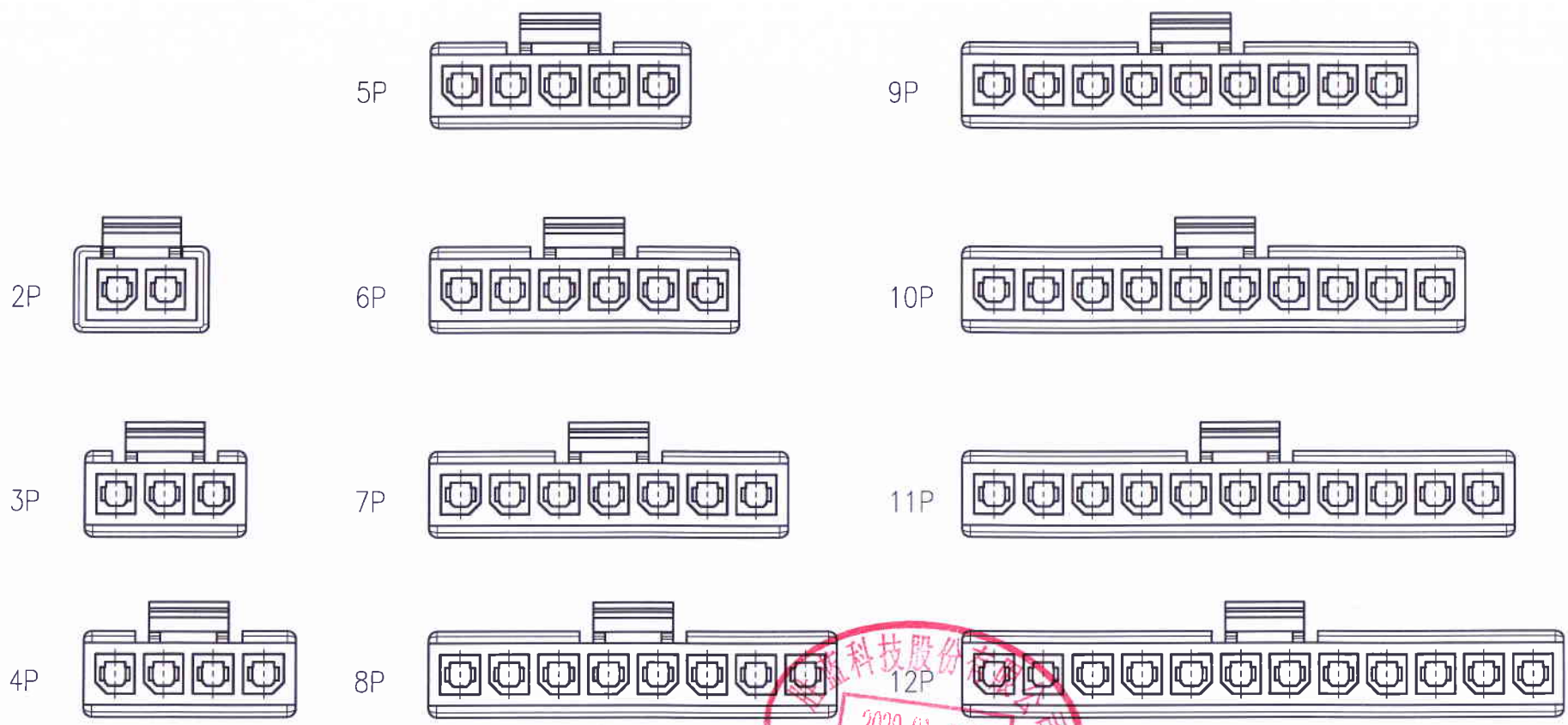
F

G

G

H

H



REV.	REVISION RECORD	DATE		GENERAL TOLERANCES		SCALE:	NAME	DATE	<b>JCTC</b> ® 胜蓝科技股份有限公司 TERMINAL&CONNECTORS 东莞市富智达电子科技有限公司	PART. NO:
A0	新图面发行	19.08.15		LINEAR	ANGLES	1:1	APPROVED			33001H00-NPX-F-HF-NK
			UNIT: MM	0.00±0.15	X° ±3°	DESIGNER	伍文聪	19.08.15	DWG. NO:	ENDE05
			SIZE: A4	0.000±0.08	X° X'±2°	DRAWN	伍文聪	19.08.15	TITLE:	3.00mm PITCH HOUSING (单排)
									REV:	A0
									SHEET:	2/2

1 2 3 4 5 6 7 8