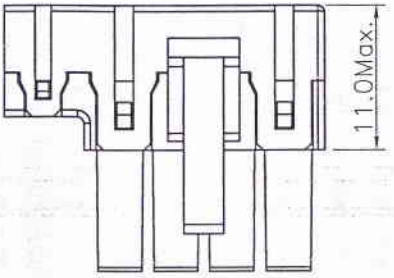
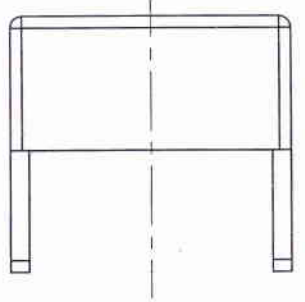
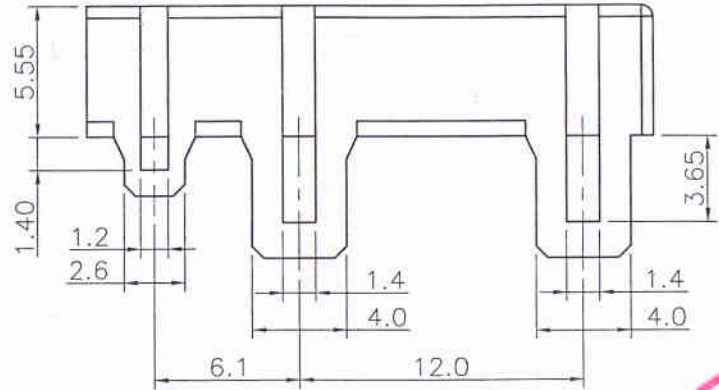
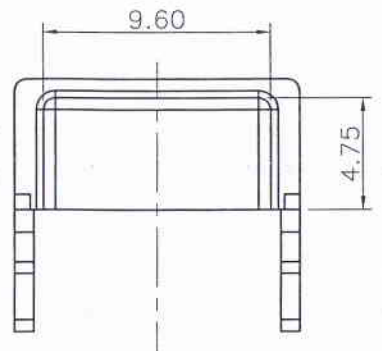
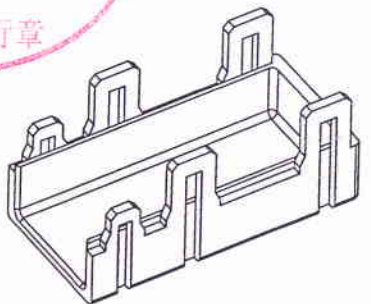
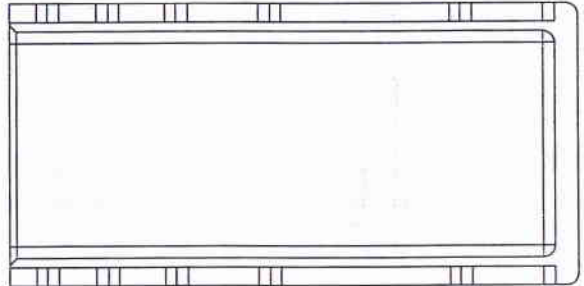


The product using material and processing must conform to the WI-PZ-142"HSF technical standard control requirements



Mating drawing



Part No.	Material	Color
34201C00-2x4P-HF	Nylon 66,UL94V-0	White
34201C00-2x4PG-HF	MP-N66-A00-00-10	Blue

REV.	REVISION RECORD	DATE		GENERAL TOLERANCES		SCALE:	NAME	DATE	JCTC ® 胜蓝科技股份有限公司 TERMINAL&CONNECTORS 东莞市富智达电子科技有限公司 TITLE: 4.20mm Pitch Dual Rows Cover	PART. NO:	
AO	新图面发行	16.08.23		LINEAR	ANGLES	1:1				34201C00-2x4PX-HF	
A1	依HN1710310154新增规格	17.10.18	0.0±0.25	X° REF±6°	APPROVED:			DWG. NO:			
			0.00±0.15	X° ±3°	DESIGNER:	17.10.30		ENDE05			
			UNIT: MM	X° X'±2°	DRAWN: 伍文聪	17.10.18		REV: A1	SHEET: 1/1		