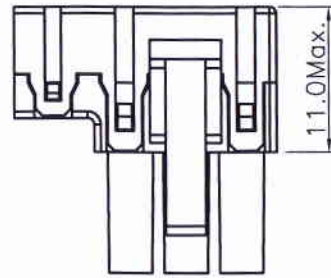
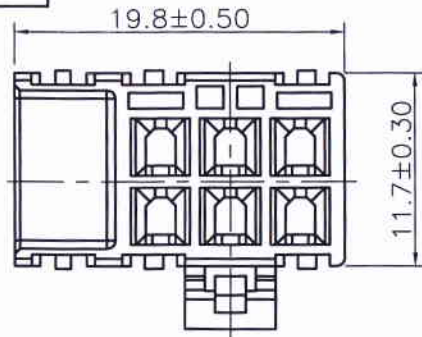
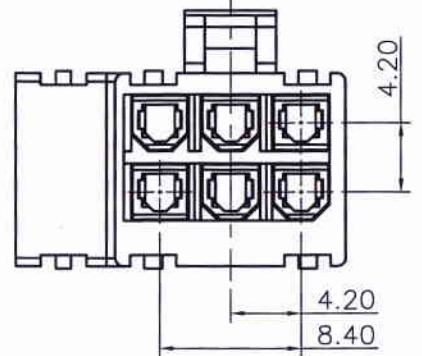
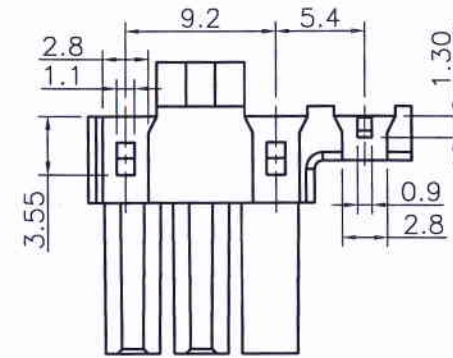
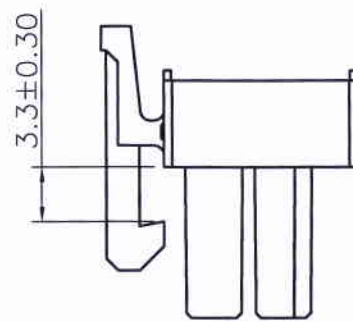
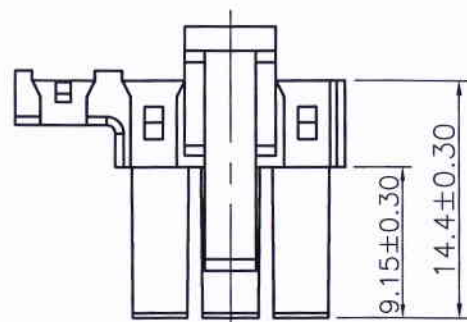
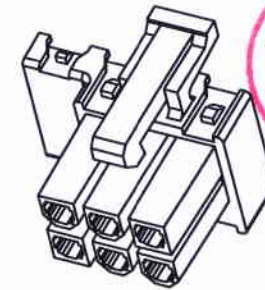


RoHS



Mating drawing



34201HF0-2x3PA-R-003-HF

① ② ③ ④ ⑤ ⑥ ⑦

- ① Series No.
- ② H: Housing
F: Female
O: Nylon 66,UL94V-0
- ③ No. of Circuits
- ④ A: Color Black
- ⑤ R: Right Type
- ⑥ 003: HCS Type
- ⑦ HF: Halogen Free

Specifications:

- Voltage Rating : 500V AC/DC
- Withstand Voltage : 1500V AC/minute
- Contact Resistance : 30mΩ(MAX.)
- Insulation Resistance : 1000MΩ(MIN.)
- Temperature Range : -25°C~+85°C

Part No.	Material	Color
34201HF0-2x3PA-R-003-HF	Nylon 66,UL94V-0	Black

REV.	REVISION RECORD	DATE	GENERAL TOLERANCES		SCALE:	NAME	DATE
A0	新图面发行	15.05.21	LINEAR	ANGLES	1:1		
A1	变更公司名称	17.03.27	0.0±0.25	X° REF±6°	APPROVED	卢小锋	17.03.27
			UNIT: MM	0.00±0.15	DESIGNER	卢小锋	17.03.27
			SIZE: A4	0.000±0.08	DRAWN	卢小锋	17.03.27

JCTC 胜蓝科技股份有限公司		PART. NO:	34201HF0-2x3PA-R-003-HF	
TERMINAL&CONNECTORS 东莞市富智达电子科技有限公司		DWG. NO:	ENDE05	
TITLE:		REV:	A1	SHEET: 1/1
4.20mm Pitch Dual Rows Housing				