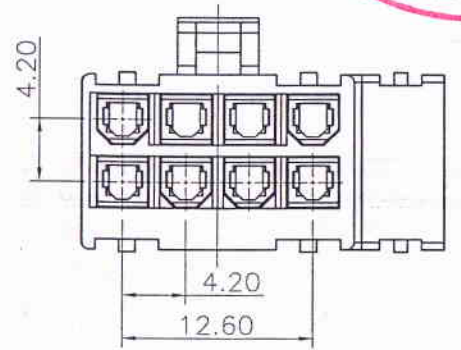
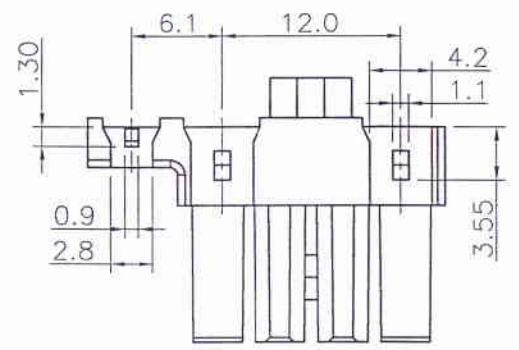
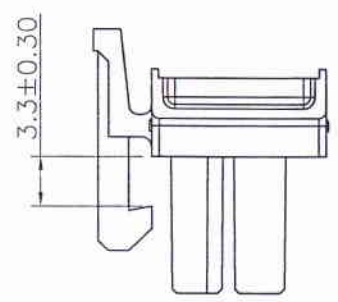
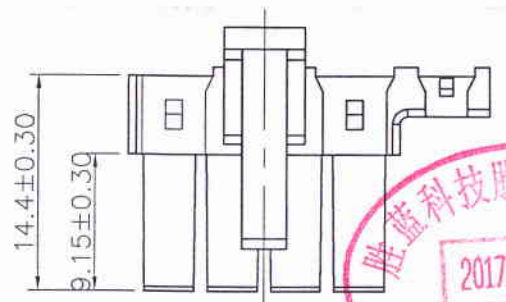
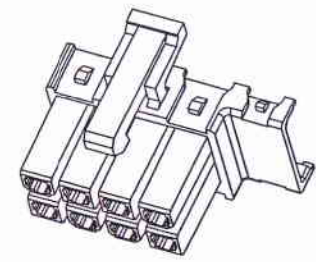


Mating drawing



34201HF0-2x4P-L-002-HF
① ② ③ ④ ⑤ ⑥

- ① Series No.
- ② H: Housing
F: Female
0: Nylon 66,UL94V-0
- ③ No. of Circuits
- ④ L: Left Type
- ⑤ 002: HCS Type
- ⑥ HF: Halogen Free

Specifications:
 Voltage Rating : 500V AC/DC
 Withstand Voltage : 1500V AC/minute
 Contact Resistance : 30mΩ(MAX.)
 Insulation Resistance : 1000MΩ(MIN.)
 Temperature Range : -25°C~+85°C
 The product using material and processing must conform to the ?WI-PZ-142"HSF technical standard control requirements

Part No.	Material	Color
34201HF0-2x4P-L-002-HF	Nylon 66,UL94V-0	White
34201HF0-2x4PG-L-002-HF	MP-N66-A00-00-10	Blue



GENERAL TOLERANCES		SCALE:	NAME	DATE
LINEAR	ANGLES	1:1		
0.0±0.25	X° REF±6°	APPROVED	<i>[Signature]</i>	
UNIT: MM	0.00±0.15	DESIGNER	<i>[Signature]</i>	17.10.20
SIZE: A4	0.000±0.08	DRAWN	卢小锋	17.10.18

JCTC® 胜蓝科技股份有限公司
 TERMINAL&CONNECTORS 东莞市富智达电子科技有限公司
 TITLE:
 4.20mm Pitch Dual Rows Housing

PART NO:	34201HF0-2x4PX-L-002-HF	
DWG NO:	ENDE05	
REV:	A1	SHEET: 1/1

REV.	REVISION RECORD	DATE
A0	新图面发行	16.08.23
A1	依HN1710310154新增规格	17.10.18