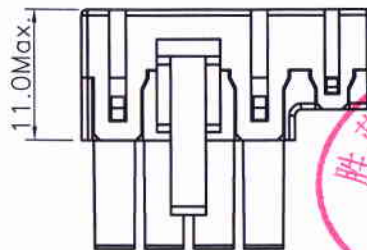
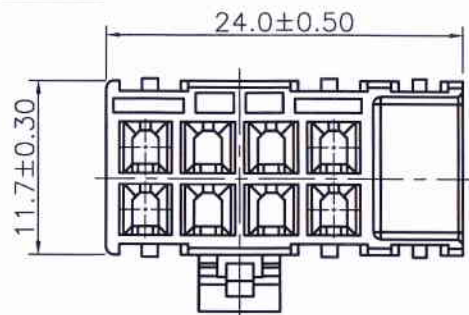
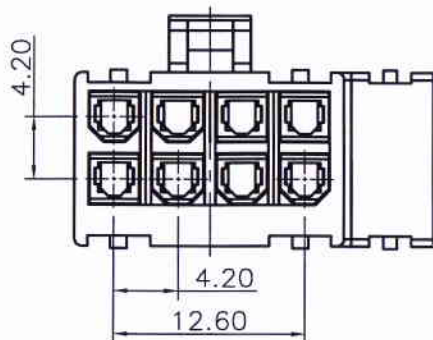
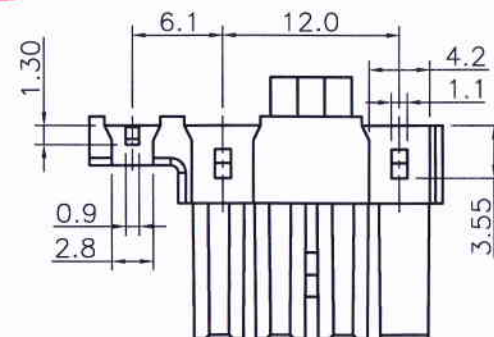
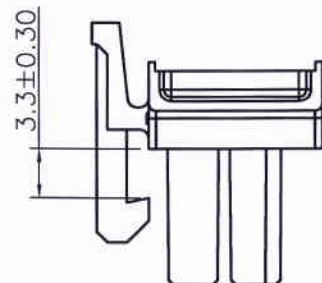
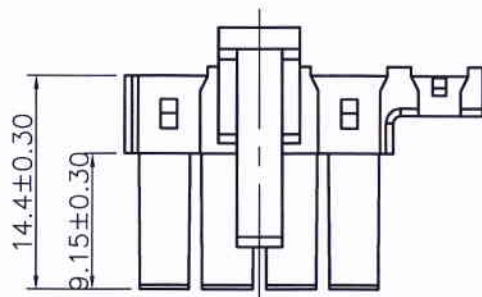
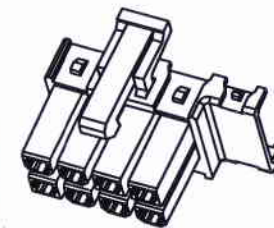


RoHS



Mating drawing



34201HF0-2x4PA-L-003-HF
① ② ③ ④ ⑤ ⑥ ⑦

- ① Series No.
- ② H: Housing
F: Female
0: Nylon 66,UL94V-0
- ③ No. of Circuits
- ④ A: Color Black
- ⑤ L: Left Type
- ⑥ 003: HCS Type
- ⑦ HF: Halogen Free

Specifications:

- Voltage Rating : 500V AC/DC
- Withstand Voltage : 1500V AC/minute
- Contact Resistance : 30mΩ(MAX.)
- Insulation Resistance : 1000MΩ(MIN.)
- Temperature Range : -25°C~+85°C

Part No.	Material	Color
34201HF0-2x4PA-L-003-HF	Nylon 66,UL94V-0	Black

REV.	REVISION RECORD	DATE	GENERAL TOLERANCES		SCALE:	NAME	DATE
AO	新图面发行	15.05.21	LINEAR	ANGLES	1:1	APPROVED	17.03.27
A1	变更公司名称	17.03.27					
			0.0±0.25	X° REF±6°		DESIGNER	
			UNIT: MM	0.00±0.15	X° ±3°	DRAWN	17.03.27
			SIZE: A4	0.000±0.08	X° X'±2°		

JCTC 胜蓝科技股份有限公司 TERMINAL&CONNECTORS 东莞市富智达电子科技有限公司		PART. NO: 34201HF0-2x4PA-L-003-HF
TITLE: 4.20mm Pitch Dual Rows Housing		DWG. NO: ENDE05
REV: A1	SHEET: 1/1	

1

2

3

4

5

6

7

8