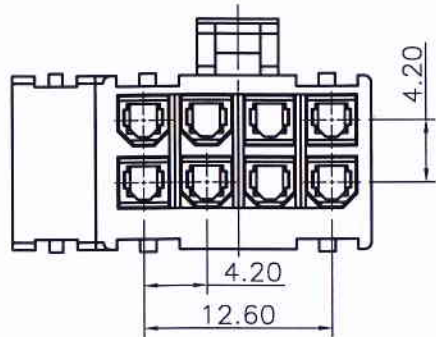
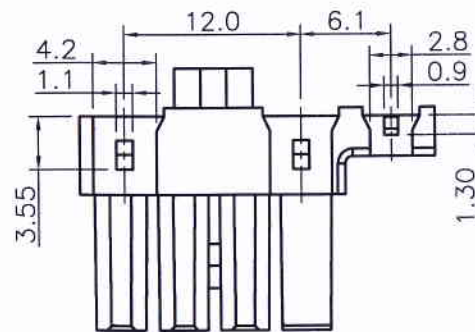
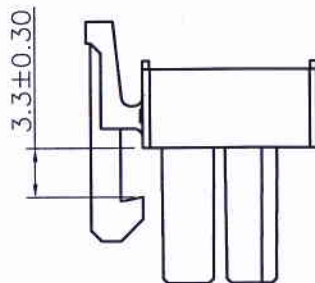
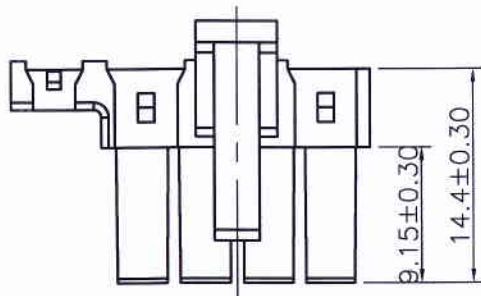
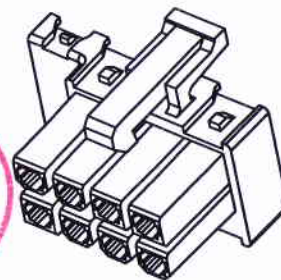
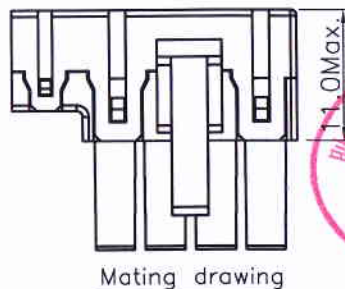
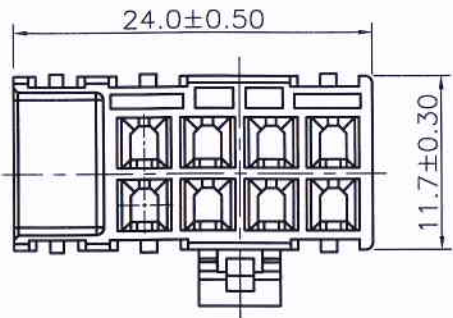


RoHS



34201HF0-2x4PA-R-003-HF
① ② ③ ④ ⑤ ⑥ ⑦

- ① Series No.
- ② H: Housing
F: Female
O: Nylon 66,UL94V-0
- ③ No. of Circuits
- ④ A: Color Black
- ⑤ R: Right Type
- ⑥ 003: HCS Type
- ⑦ HF: Halogen Free

Specifications:
Voltage Rating : 500V AC/DC
Withstand Voltage : 1500V AC/minute
Contact Resistance : 30mΩ(MAX.)
Insulation Resistance : 1000MΩ(MIN.)
Temperature Range : -25°C~+85°C

Part No.	Material	Color
34201HF0-2x4PA-R-003-HF	Nylon 66,UL94V-0	Black

REV.	REVISION RECORD	DATE	GENERAL TOLERANCES	SCALE:	NAME	DATE
A0	新图面发行	15.05.21	LINEAR	1:1	APPROVED	
A1	变更公司名称	17.03.27	0.0±0.25		DESIGNER	
			0.00±0.15		DRAWN	
			0.000±0.08			

JCTC® 胜蓝科技股份有限公司
TERMINAL&CONNECTORS 东莞市富智达电子科技有限公司
TITLE:
4.20mm Pitch Dual Rows Housing

PART. NO:
34201HF0-2x4PA-R-003-HF
DWG. NO:
ENDE05
REV:
A1
SHEET:
1/1