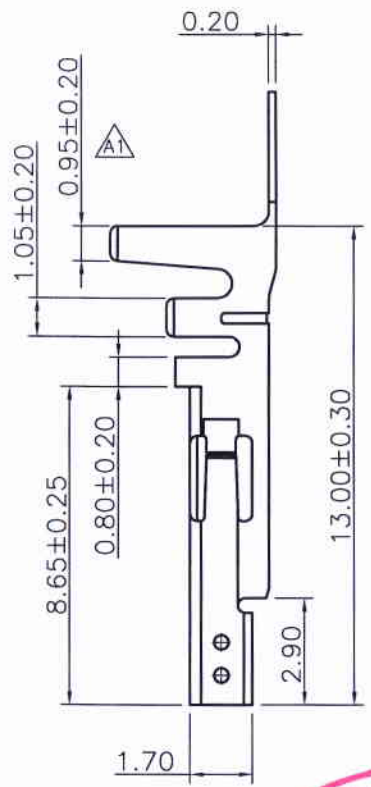
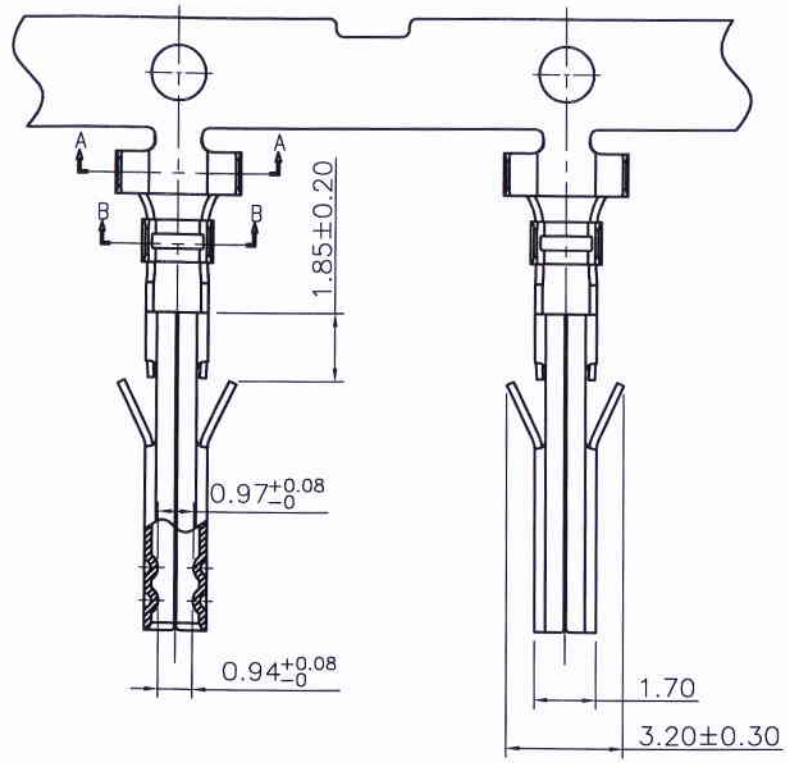
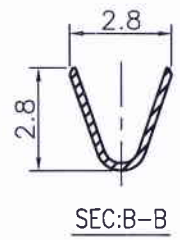
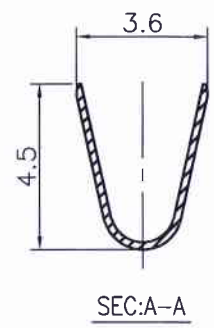


RoHS



Specifications:  
 Voltage Rating : 500V AC/DC  
 Withstand Voltage : 1500V AC/minute  
 Contact Resistance : 10mΩ(MAX.)  
 Insulation Resistance : 1000MΩ(Min.)



Part No.	Wire Range	Insulation O.D.	Material	Finish	Qty/reel
34201T2P-3E-2-NK	AWG #16~#18	2.80mm(max)	Copper alloy	Ni 50u" Min., Tin plated 80u" Min.	3,000 pcs

REV.	REVISION RECORD	DATE	UNIT	SIZE	GENERAL TOLERANCES	SCALE	NAME	DATE	TITLE	PART NO.	DWG. NO.	REV.	SHEET
A0	新图面发行	15.05.26	MM	A4	LINEAR: 0.0±0.25 ANGLES: X° REF±6°	1:1	APPROVED	16.03.27	<b>JGTC®</b> 胜蓝科技股份有限公司 TERMINAL&CONNECTORS 东莞市富智达电子科技有限公司 TITLE: 4.20mm Pitch Crimp Terminal	34201T2P-XX-X-NK	ENDE05	A2	1/1
A1	修改铆线脚形状	15.06.15		0.00±0.15 X° ±3°	DESIGNER	17.03.27							
A2	变更公司名称	17.03.27		0.000±0.08 X° X'±2°	DRAWN	卢小锋	17.03.27						