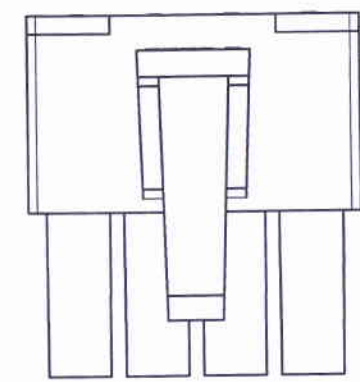
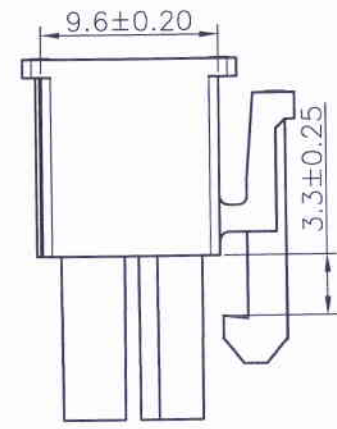
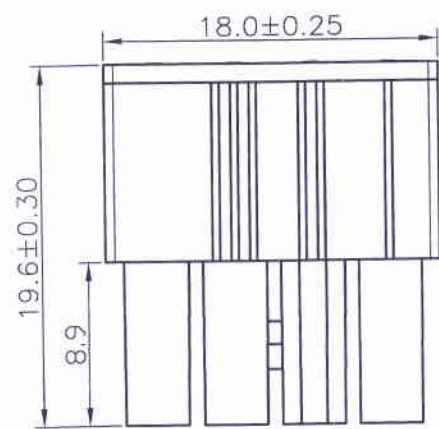
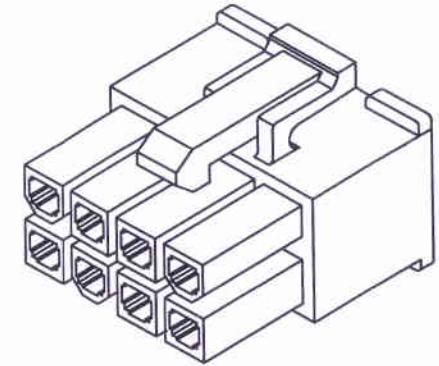
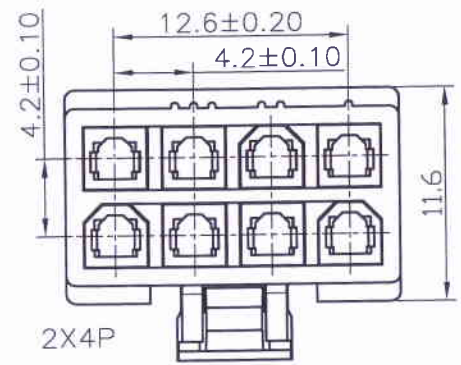


34202HF0-2xNPX-004

- ① Series No.
- ② H: Housing
- F: Female
- 2: Nylon 66,UL94V-2
- 0: Nylon 66,UL94V-0
- ③ No. of Circuits
- ④ X : Product color(A--Y)
- Blank : Natural type
- ⑤ 004 : 004 Type



Specifications:
 Voltage Rating : 500V AC/DC
 Withstand Voltage : 1500V AC/minute
 Contact Resistance : 10mΩ(MAX.)
 Insulation Resistance : 1000MΩ(MIN.)
 Temperature Range : -25°C~+85°C
 The product using material and processing must conform to the "WI-PZ-142"HSF technical standard control requirements



Part No.	Material	Color
34202HF0-2XNP-004	Nylon 66,UL94V-0	Natural(White)

REV.	REVISION RECORD	DATE	GENERAL TOLERANCES	SCALE:	NAME	DATE
A0	新图面发行	20. 02. 24	LINEAR	1:1		
			0.0±0.25	APPROVED	<i>[Signature]</i>	
			0.00±0.15	DESIGNER	<i>[Signature]</i>	
			0.00±0.08	DRAWN	伍文聪	20. 02. 24

PART NO:
34202HF0-2XNP-004

DWG. NO:
ENDE05

TITLE:
4.20mm PITCH DUAL ROW HOUSING

JCTC®
 TERMINAL&CONNECTORS

REV: A0 SHEET: 1/1