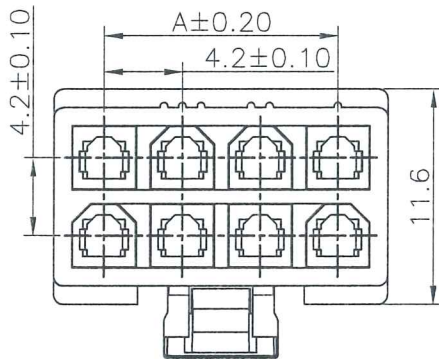
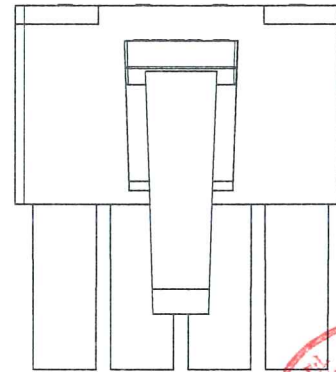
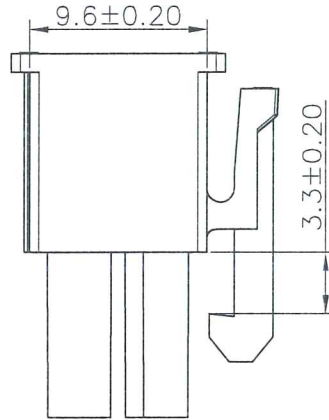
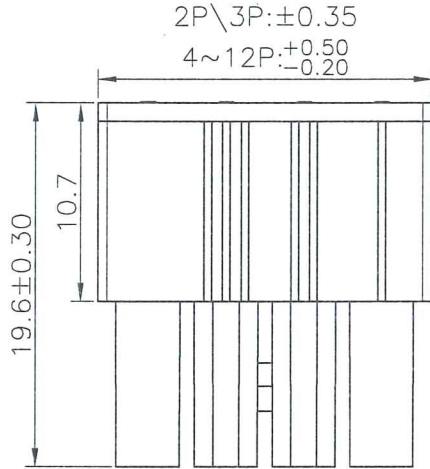
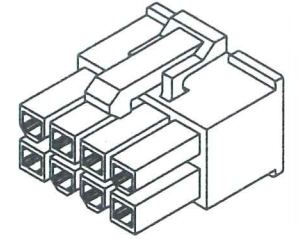


Specifications:  
 Voltage Rating : 500V AC/DC  
 Withstand Voltage : 1500V AC/minute  
 Contact Resistance : 10mΩ(MAX.)  
 Insulation Resistance : 1000MΩ(MIN.)  
 Temperature Range : -25°C~+85°C  
 The product using material and processing must conform to the "WI-PZ-142"HSF technical standard control requirements

34202HFX-2xNPX-002

① ② ③ ④ ⑤

- ① Series No.
- ② H: Housing  
F: Female  
2: Nylon 66,UL94V-2  
0: Nylon 66,UL94V-0
- ③ No. of Circuits
- ④ X : Product color(A--Y)  
Blank : Natural type
- ⑤ 002 : 002 Type



Circuits	Dimensions	
	A	B
2X1P	—	5.40
2X2P	4.20	9.60
2X3P	8.40	13.80
2X4P	12.60	18.00
2X5P	16.80	22.20
2X6P	21.00	26.40
2X7P	25.20	30.60
2X8P	29.40	34.80
2X9P	33.60	39.00
2X10P	37.80	43.20
2X11P	42.00	47.40
2X12P	46.20	51.60



Suitable for JCTC 34202 series Female terminal

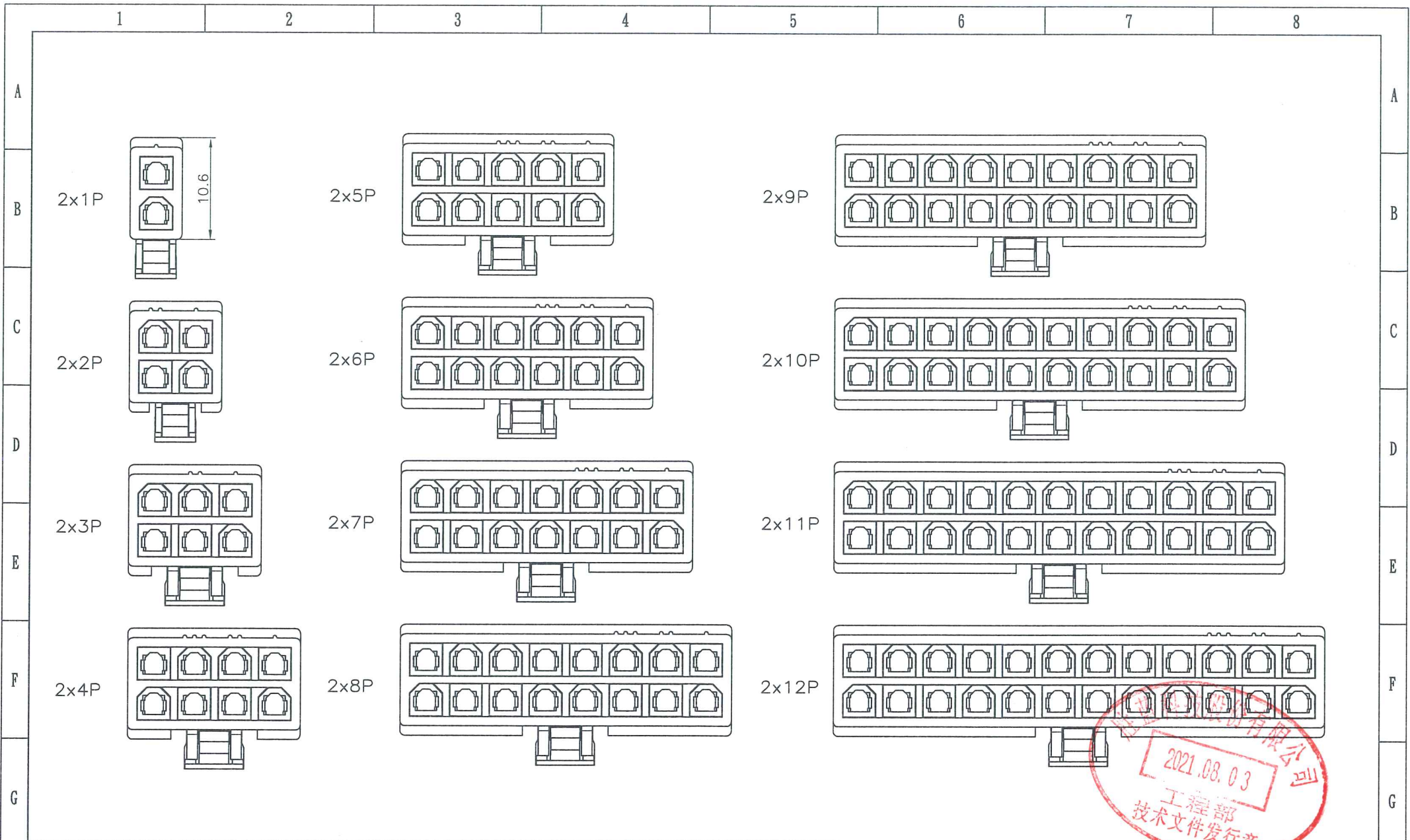
Part No.	Material	Color
34202HF0-2XNP-002	Nylon 66,UL94V-0	Natural(White)
34202HF0-2XNPA-002	Nylon 66,UL94V-0	Black
34202HF0-2XNPG-002	Nylon 66,UL94V-0	Blue



REV.	REVISION RECORD	DATE	GENERAL TOLERANCES	SCALE:	NAME	DATE
C2	HR2002270022	20.02.22	LINEAR	1:1		
C3	HR2007170168	20.07.17	0.0±0.25	APPROVED	Nelson	21.07.29
C4	HR2009180262	20.09.18	0.00±0.15	DESIGNER	ML	21.07.29
C5	HR2107290195	21.07.29	0.000±0.08	DRAWN	QYX	21.07.29

PART NO: 34202HFX-2XNP-002	DWG. NO: ENDE05
TITLE: 4.20mm PITCH DUAL ROW HOUSING	

**JCTC**®  
 TERMINAL&CONNECTORS

REV: C5    SHEET: 1/2



REV.	REVISION RECORD	DATE	GENERAL TOLERANCES		SCALE:	NAME	DATE	PART. NO:	DWG. NO:	 <b>JCTC</b> <sup>®</sup> TERMINAL&CONNECTORS
C2	HR2002270022	20.02.22		LINEAR	1:1	Nelson	21.07.29	34202HFX-2XNP-002	ENDE05	
C3	HR2007170168	20.07.17		ANGLES	APPROVED					
C4	HR2009180262	20.09.18	UNIT: MM	0.0±0.15	X° REF±6°	DESIGNER	QYX	TITLE:	4.20mm PITCH DUAL ROW HOUSING	
C5	HR2107290195	21.07.29	SIZE: A4	0.000±0.08	X° X'±2°	DRAWN	21.07.29	REV: C5		