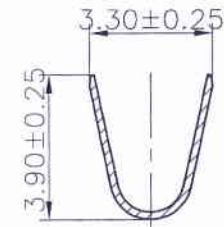
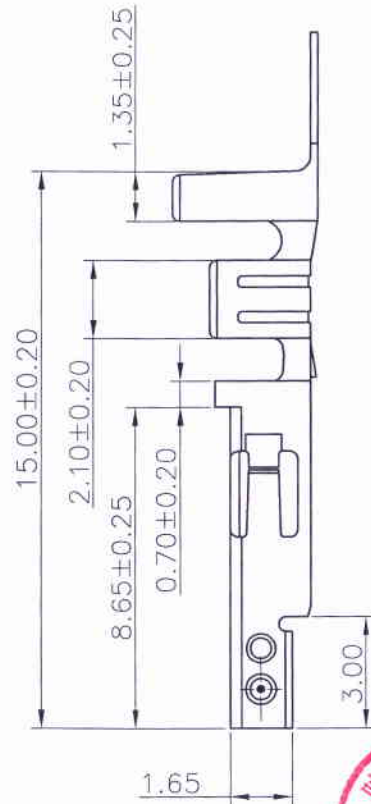
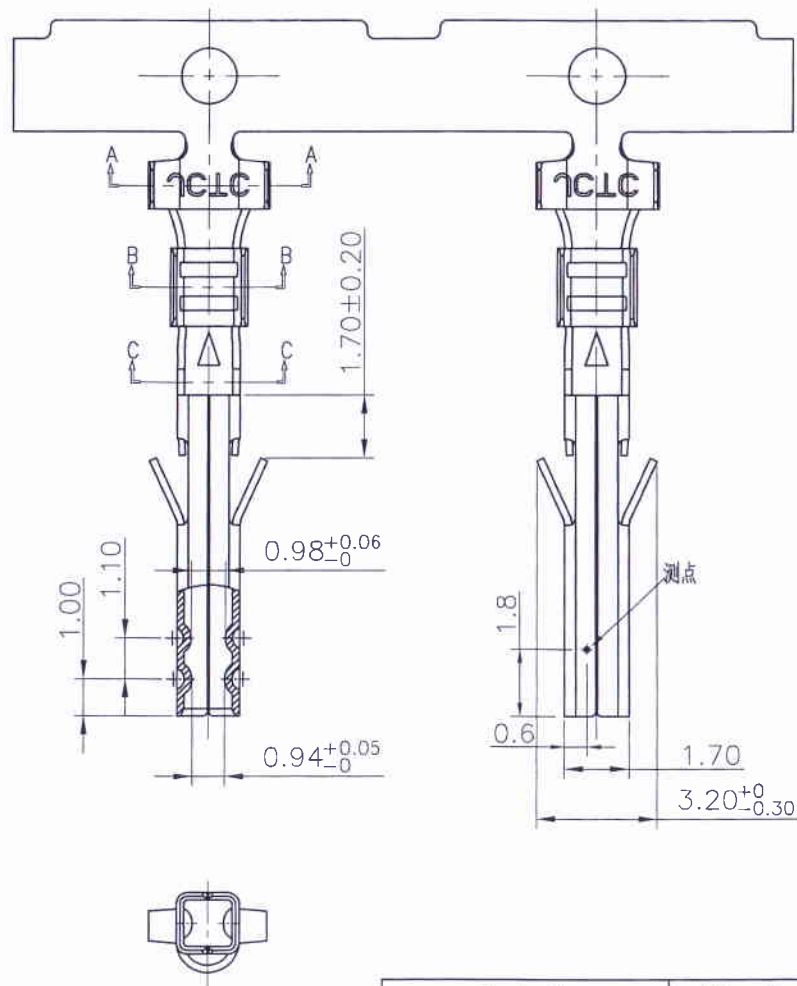
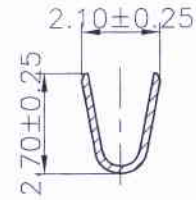


Specifications:
 Voltage Rating : 500V AC/DC
 Withstand Voltage : 1500V AC/minute
 Contact Resistance : 10mΩ(MAX.)
 Insulation Resistance : 1000MΩ(Min.)
 Terminal Retention : 3.00Kgf Min.
 Suitable for 1.14mm PIN

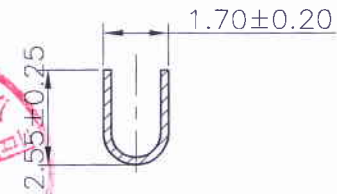
The product using material and processing must conform to the "WI-PZ-142"HSF technical standard control requirements



SEC:A-A



SEC:B-B



SEC:C-C



Part No.	Wire Range	Insulation O.D.	Material	Finish	Qty/reel
34202T0B-3E-F-S2	AWG #18~#22	2.10mm(max)	Brass	Ni 50u" Min.,Matte Tin plated 80u" Min.	4,000 pcs
34202T0B-2E-F-S2	AWG #18~#22	2.10mm(max)	Brass	Ni 50u" Min.,Tin plated 80u" Min.	4,000 pcs

REV.	REVISION RECORD	DATE	GENERAL TOLERANCES	SCALE:	NAME	DATE	PART. NO:	DWG. NO:	 JCTC [®] TERMINAL&CONNECTORS
AO	新图面发行	20.04.01	LINEAR	1:1	张振坤	20.05.07	34202T0B-XX-X-S2	ENDE05	
			0.0±0.25	ANGLES					
			UNIT: MM	X° REF±6°					
			0.00±0.15	X° ±3°	DESIGNER	张振坤	TITLE:		
			SIZE: A4	X° X'±2°	DRAWN	张振坤	4.20mm Pitch Crimp Terminal		
			0.000±0.08			20.04.01			
								REV: AO SHEET: 1/1	