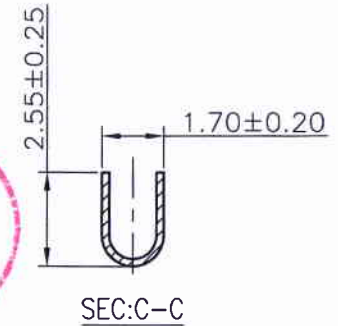
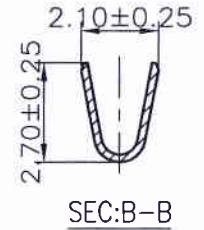
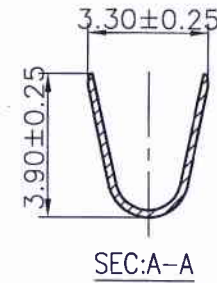
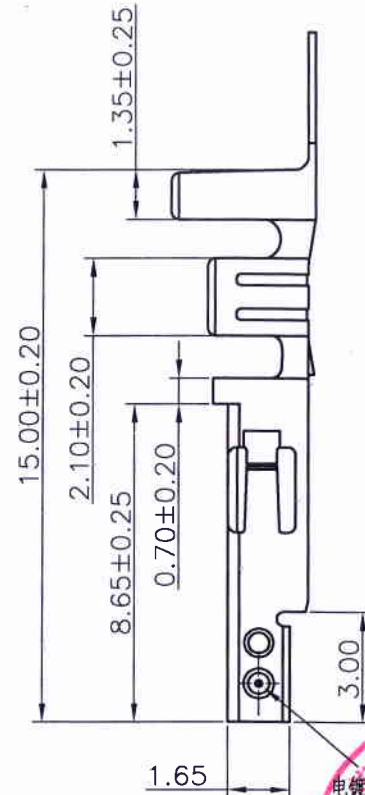
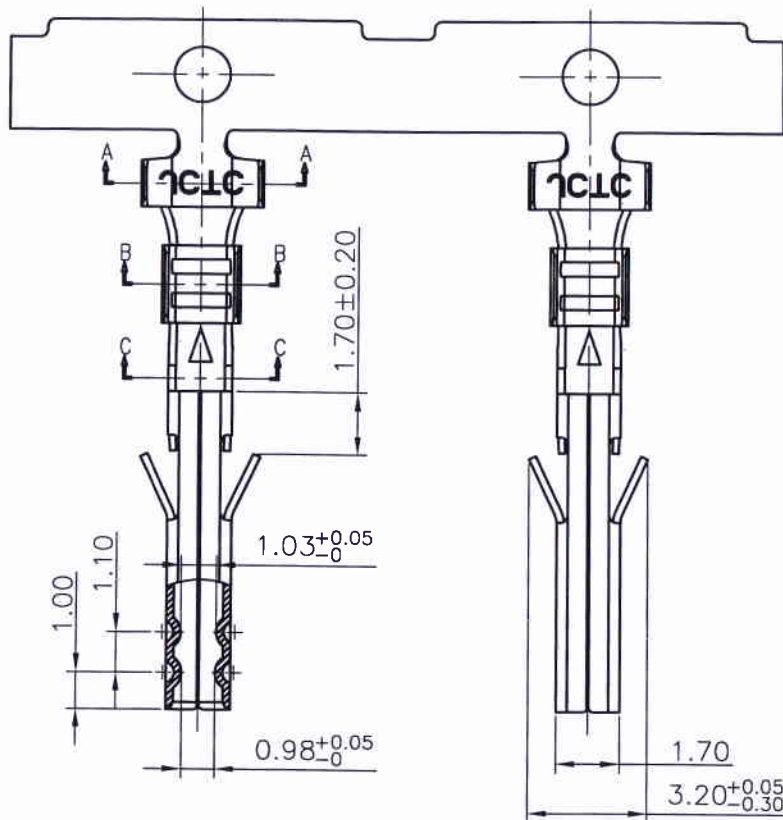


RoHS

Specifications:
 Voltage Rating : 500V AC/DC
 Withstand Voltage : 1500V AC/minute
 Contact Resistance : 10mΩ(MAX.)
 Insulation Resistance : 1000MΩ(Min.)
 Terminal Retention : 3.00Kg/f Min.
 Suitable for 1.14mm PIN
 Suitable for 2x10Pin-2x12Pin Housing



| Part No. | Wire Range | Insulation O.D. | Material | Finish | Qty/reel |
|--------------------|-------------|-----------------|--------------|-------------------------------------|-----------|
| 34202TOP-3E-F-S1 | AWG #18~#22 | 2.10mm(max) | Copper alloy | Ni 50u" Min., Tin plated 80u" Min. | 4,000 pcs |
| 34202TOP-3E-2-F-S1 | AWG #18~#22 | 2.10mm(max) | Copper alloy | Ni 50u" Min., Tin plated 80u" Min. | 4,000 pcs |
| 34202TOP-0H-G-F-S1 | AWG #18~#22 | 2.10mm(max) | Copper alloy | Ni 50u" Min., Gold plated 30u" Min. | 4,000 pcs |

| REV. | REVISION RECORD | DATE |
|------|-----------------|------------|
| C0 | 新图面发行 | 14. 10. 23 |
| C1 | 变更公司名称 | 17. 03. 27 |

| GENERAL TOLERANCES | |
|--------------------|-----------|
| LINEAR | ANGLES |
| 0.0±0.25 | X° REF±6° |
| 0.00±0.15 | X° ±3° |
| 0.000±0.08 | X° X'±2° |

| SCALE: | NAME | DATE |
|-----------|------|----------|
| 1:1 | | |
| APPROVED: | | |
| DESIGNER: | 江文强 | 17.03.27 |
| DRAWN: | 卢小锋 | 17.03.27 |

JCTC® 胜蓝科技股份有限公司
 TERMINAL&CONNECTORS 东莞市富智达电子科技有限公司
 TITLE: 4.20mm Pitch Crimp Terminal

| PART NO.: | |
|--------------------|--------|
| 34202TOP-XX-X-X-S1 | |
| DWG NO.: | |
| ENDE05 | |
| REV: | SHEET: |
| C1 | 1/1 |