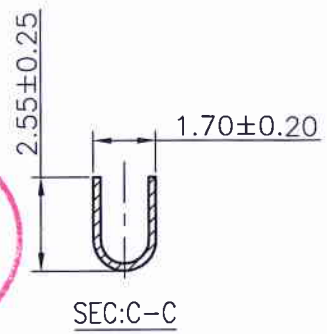
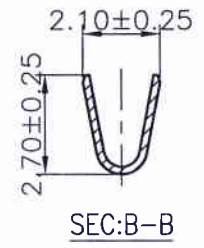
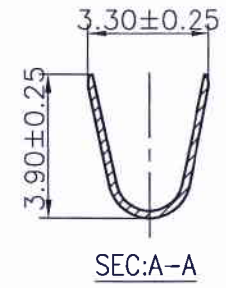
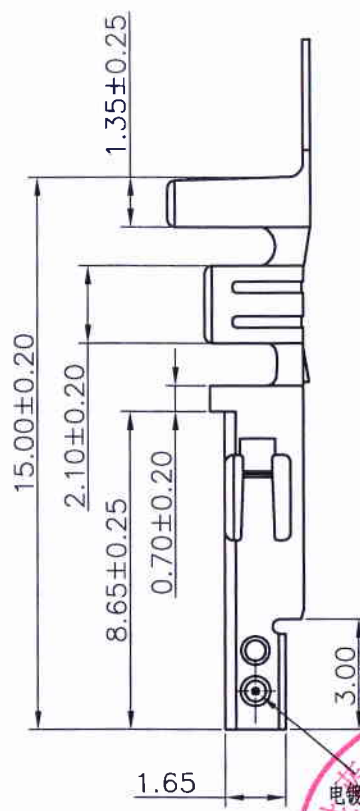
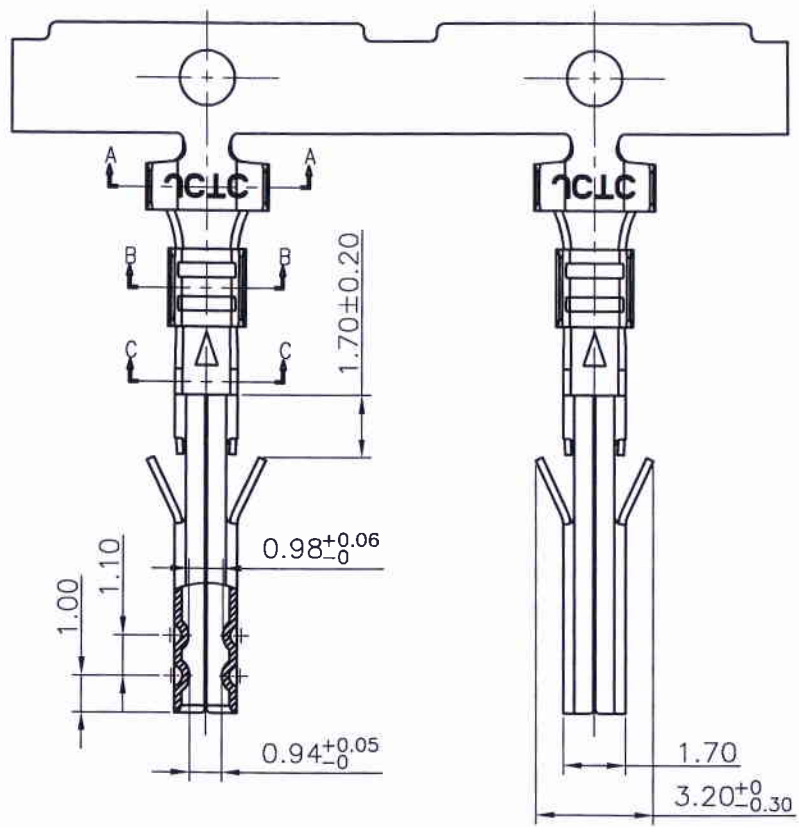


RoHS

Specifications:
 Voltage Rating : 500V AC/DC
 Withstand Voltage : 1500V AC/minute
 Contact Resistance : 10mΩ(MAX.)
 Insulation Resistance : 1000MΩ(Min.)
 Terminal Retention : 3.00Kg/f Min.
 Suitable for 1.14mm PIN



胜蓝科技股份有限公司
 电镀膜厚内测点
 2017.04.05
 工程部部长
 技术文件发行章

Part No.	Wire Range	Insulation O.D.	Material	Finish	Qty/reel
34202TOP-3E-F-S2	AWG #18~#22	2.10mm(max)	Copper alloy	Ni 50u" Min.,Tin plated 80u" Min.	4,000 pcs
34202TOP-3E-2-F-S2	AWG #18~#22	2.10mm(max)	Copper alloy	Ni 50u" Min.,Tin plated 80u" Min.	4,000 pcs
34202TOP-OH-G-F-S2	AWG #18~#22	2.10mm(max)	Copper alloy	Ni 50u" Min.,Gold plated 30u" Min.	4,000 pcs

REV.	REVISION RECORD	DATE	GENERAL TOLERANCES		SCALE:	NAME	DATE	JCTC® 胜蓝科技股份有限公司 TERMINAL&CONNECTORS 东莞市富智达电子科技有限公司	PART NO:
A0	新图面发行	14. 12. 23	LINEAR	ANGLES	1:1				34202TOP-XX-X-X-S2
A1	变更公司名称	17. 03. 27	0.0±0.25	X° REF±6°	APPROVED			DWG. NO:	
			UNIT: MM	X° ±3°	DESIGNER			ENDE05	
			SIZE: A4	0.000±0.08	X° X'±2°	DRAWN	卢小锋 17.03.27	TITLE:	
								4.20mm Pitch Crimp Terminal	
								REV: A1 SHEET: 1/1	