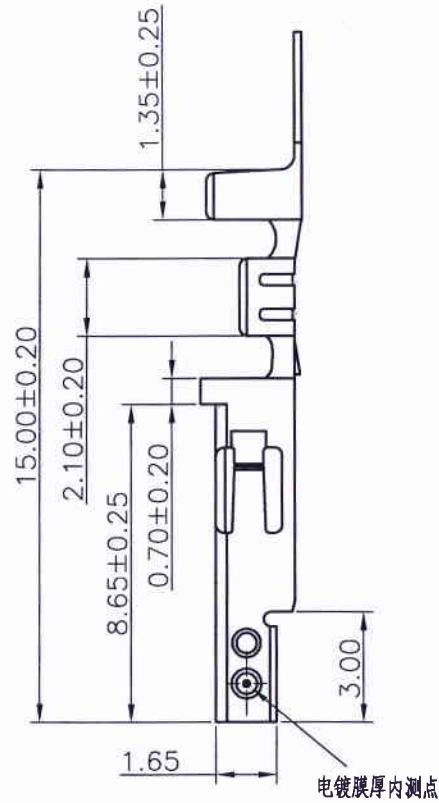
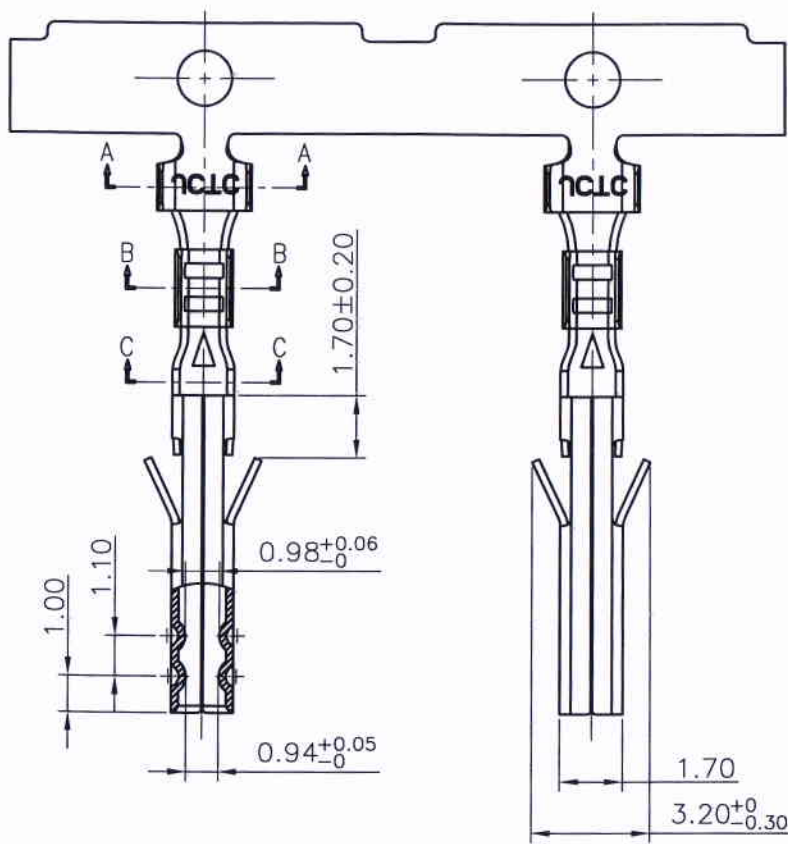
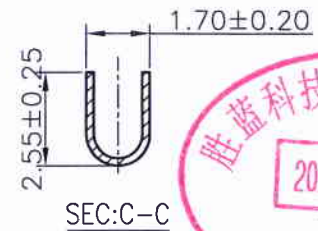
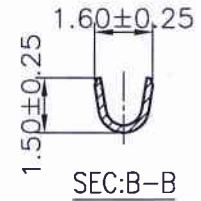
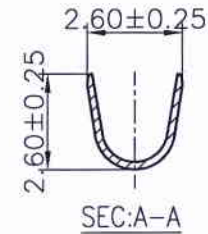


RoHS



Specifications:
 Voltage Rating : 500V AC/DC
 Withstand Voltage : 1500V AC/minute
 Contact Resistance : 10mΩ(MAX.)
 Insulation Resistance : 1000MΩ(Min.)
 Terminal Retention : 3.00Kg/f Min.
 Suitable for 1.14mm PIN



Part No.	Wire Range	Insulation O.D.	Material	Finish	Qty/reel
34202T1P-3E-F-S2	AWG #24	1.40mm(max)	Copper alloy	Ni 50u" Min., Tin plated 80u" Min.	4,000 pcs
34202T1P-3E-2-F-S2	AWG #24	1.40mm(max)	Copper alloy	Ni 50u" Min., Tin plated 80u" Min.	4,000 pcs
34202T1P-OH-G-F-S2	AWG #24	1.40mm(max)	Copper alloy	Ni 50u" Min., Gold plated 30u" Min.	4,000 pcs

REV.	REVISION RECORD	DATE	GENERAL TOLERANCES	SCALE:	NAME	DATE	JGTC ® 胜蓝科技股份有限公司 TERMINAL&CONNECTORS 东莞市富智达电子科技有限公司 TITLE: 4.20mm Pitch Crimp Terminal	PART NO:
A0	新图面发行	14. 12. 23	LINEAR	1:1				34202T1P-XX-X-X-S2
A1	变更公司名称	17. 03. 27	ANGLES	APPROVED				DWG. NO:
			0.0±0.25 X° REF±6°	DESIGNER				ENDE05
			UNIT: MM 0.00±0.15 X° ±3°	DRAWN	卢小锋	17.03.27		REV: A1 SHEET: 1/1
			SIZE: A4 0.000±0.08 X° X'±2°					