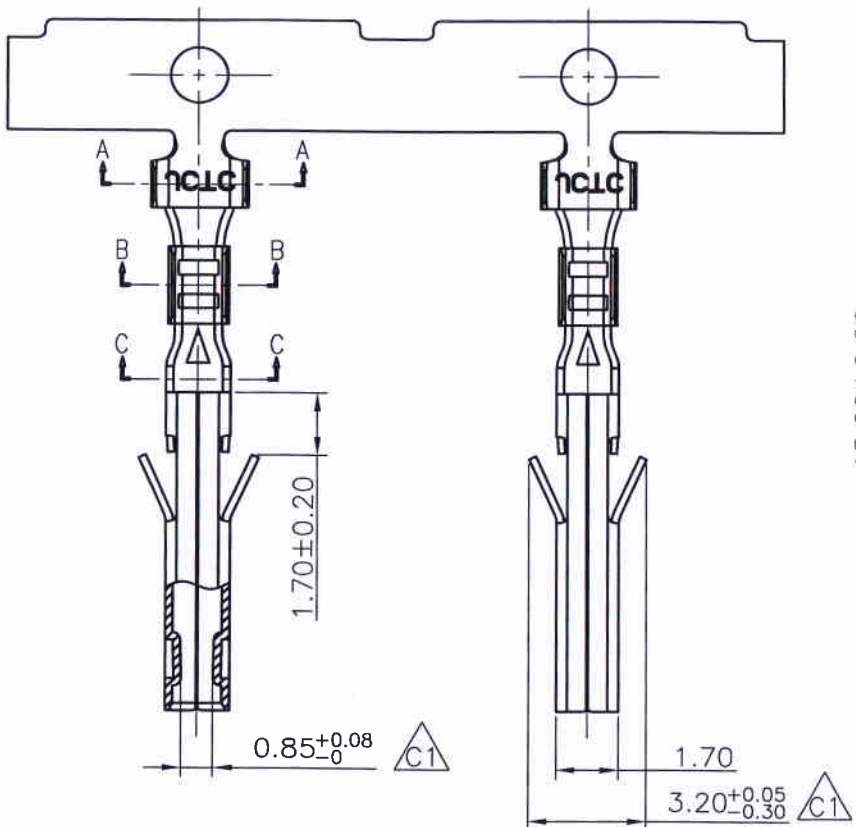
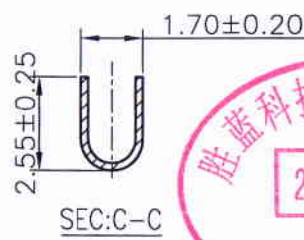
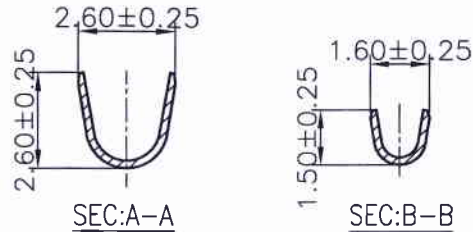


RoHS



Specifications:  
 Voltage Rating : 500V AC/DC  
 Withstand Voltage : 1500V AC/minute  
 Contact Resistance : 10mΩ(MAX.)  
 Insulation Resistance : 1000MΩ(Min.)  
 Terminal Retention : 3.00Kg/f Min.  
 Suitable for 1.07mm PIN



Part No.	Wire Range	Insulation O.D.	Material	Finish	Qty/reel
34202T1P-3E-F	AWG #24	1.40mm(max)	Copper alloy	Ni 50u" Min., Tin plated 80u" Min.	4,000 pcs
34202T1P-3E-2-F	AWG #24	1.40mm(max)	Copper alloy	Ni 50u" Min., Tin plated 80u" Min.	4,000 pcs
34202T1P-OH-G-F	AWG #24	1.40mm(max)	Copper alloy	Ni 50u" Min., Gold plated 30u" Min.	4,000 pcs

REV.	REVISION RECORD	DATE
C0	新图面发行	13. 12. 04
C1	修改凸包、倒扣尺寸公差	15. 03. 26
C2	变更公司名称	17. 03. 27

GENERAL TOLERANCES	
LINEAR	ANGLES
$0.0 \pm 0.25$	$X^\circ \text{ REF} \pm 6^\circ$
$0.00 \pm 0.15$	$X^\circ \pm 3^\circ$
$0.000 \pm 0.08$	$X^\circ X' \pm 2^\circ$

SCALE:	NAME	DATE
1:1		
APPROVED		
DESIGNER	卢小锋	17.03.27
DRAWN	卢小锋	17.03.27

**JCTC**® 胜蓝科技股份有限公司  
 TERMINAL&CONNECTORS 东莞市富智达电子科技有限公司  
 TITLE: 4.20mm Pitch Crimp Terminal

PART. NO:	
34202T1P-XX-X-X	
DWG. NO:	
ENDE05	
REV: C2	SHEET: 1/1