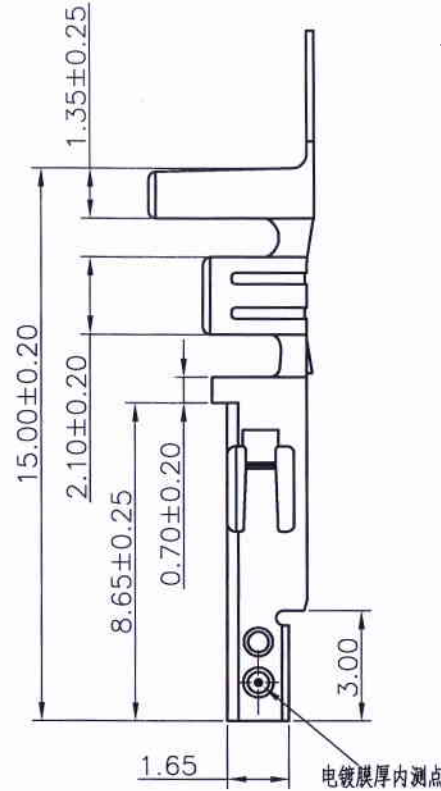
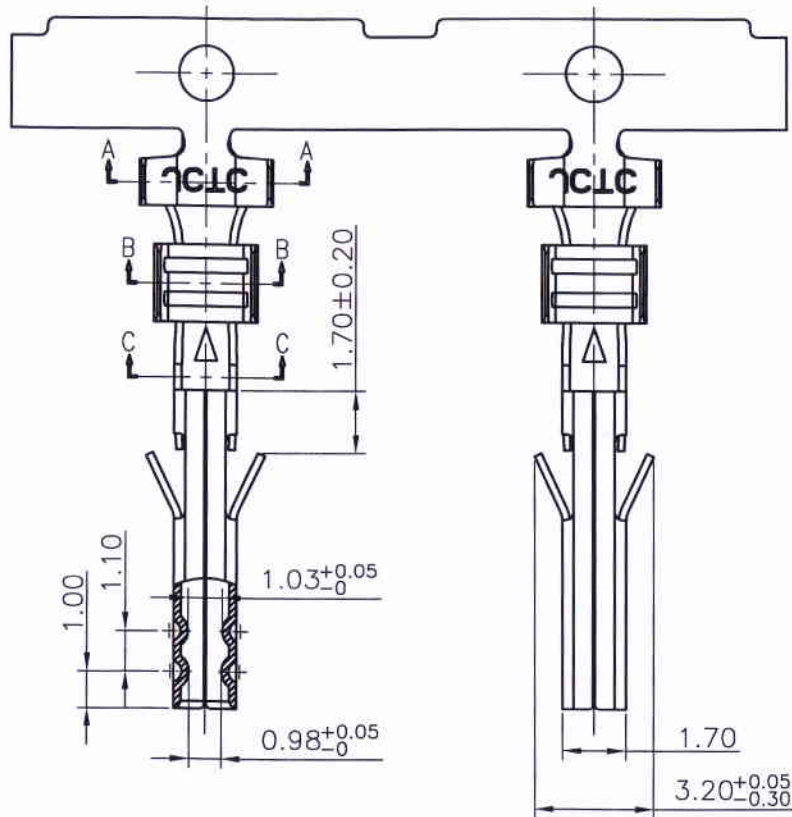
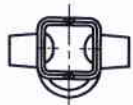
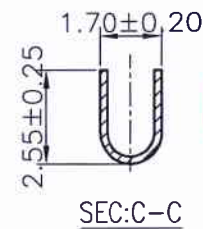
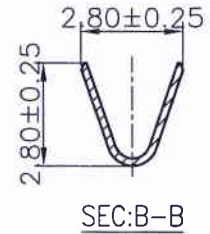
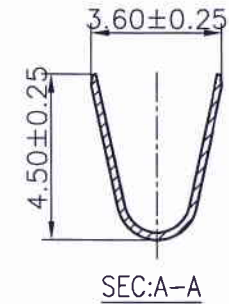


RoHS



Specifications:  
 Voltage Rating : 500V AC/DC  
 Withstand Voltage : 1500V AC/minute  
 Contact Resistance : 10mΩ(MAX.)  
 Insulation Resistance : 1000MΩ(Min.)  
 Terminal Retention : 3.00Kg/f Min.  
 Suitable for 1.14mm PIN  
 Suitable for 2x10Pin-2x12Pin Housing



Part No.	Wire Range	Insulation O.D.	Material	Finish	Qty/reel
34202T2P-3E-F-S1	AWG #16~#18	2.80mm(max)	Copper alloy	Ni 50u" Min., Tin plated 80u" Min.	4,000 pcs
34202T2P-3E-2-F-S1	AWG #16~#18	2.80mm(max)	Copper alloy	Ni 50u" Min., Tin plated 80u" Min.	4,000 pcs
34202T2P-OH-G-F-S1	AWG #16~#18	2.80mm(max)	Copper alloy	Ni 50u" Min., Gold plated 30u" Min.	4,000 pcs

REV.	REVISION RECORD	DATE
C0	新图面发行	14. 10. 23
C1	变更公司名称	17. 03. 27

GENERAL TOLERANCES	
LINER	ANGLES
0.0±0.25	X° REF±6°
0.00±0.15	X° ±3°
0.000±0.08	X° X'±2°

SCALE:	NAME	DATE
1:1		
APPROVED	<i>[Signature]</i>	17.03.27
DESIGNER	江文松	17.03.27
DRAWN	卢小锋	17.03.27

**JCTC**® 胜蓝科技股份有限公司  
 TERMINAL&CONNECTORS 东莞市富智达电子科技有限公司  
 TITLE: 4.20mm Pitch Crimp Terminal

PART. NO:	
34202T2P-XX-X-X-S1	
DWG. NO:	
ENDE05	
REV:	SHEET:
C1	1/1