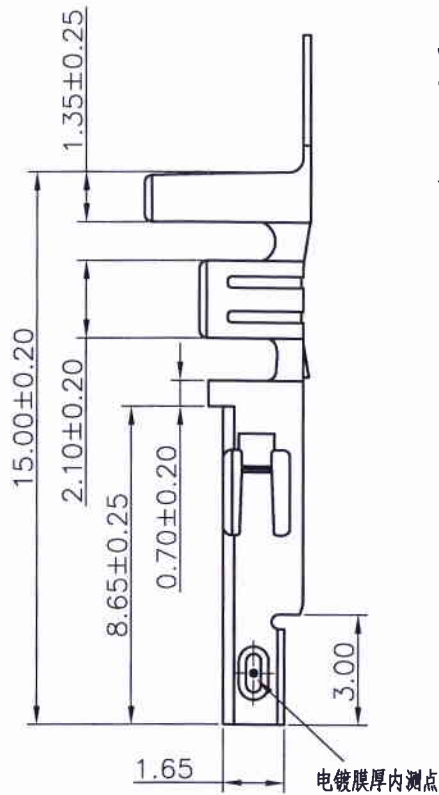
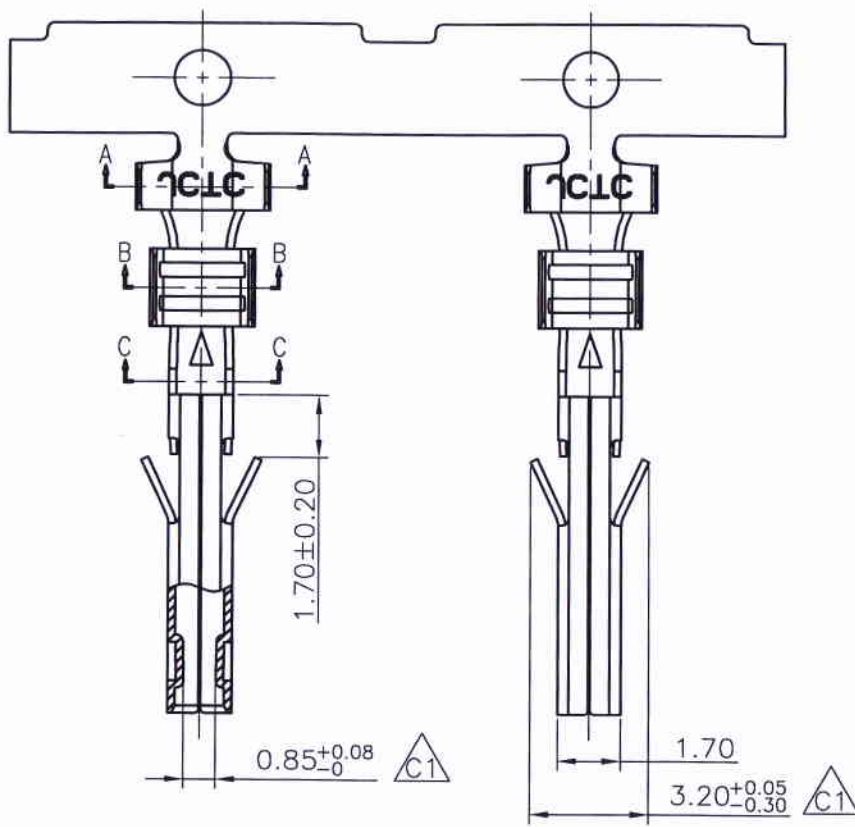
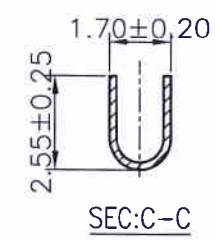
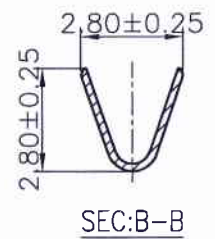
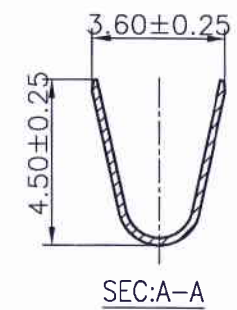


RoHS



Specifications:  
 Voltage Rating : 500V AC/DC  
 Withstand Voltage : 1500V AC/minute  
 Contact Resistance : 10mΩ(MAX.)  
 Insulation Resistance : 1000MΩ(Min.)  
 Terminal Retention : 3.00Kg/f Min.  
 Suitable for 1.07mm PIN



Part No.	Wire Range	Insulation O.D.	Material	Finish	Qty/reel
34202T2P-3E	AWG #16~#18	2.80mm(max)	Copper alloy	Ni 50u" Min., Tin plated 80u" Min.	4,000 pcs
34202T2P-3E-2-F	AWG #16~#18	2.80mm(max)	Copper alloy	Ni 50u" Min., Tin plated 80u" Min.	4,000 pcs
34202T2P-OH-G-F	AWG #16~#18	2.80mm(max)	Copper alloy	Ni 50u" Min., Gold plated 30u" Min.	4,000 pcs

REV.	REVISION RECORD	DATE	UNIT: MM	SIZE: A4	GENERAL TOLERANCES	SCALE: 1:1	NAME	DATE	JCTC® 胜蓝科技股份有限公司	PART. NO:
C0	新图面发行	13. 12. 04			LINER	APPROVED	[Signature]	17/3/21	TERMINAL&CONNECTORS 东莞市富智达电子科技有限公司	34202T2P-XX-X-X
C1	修改凸包、倒扣尺寸公差	15. 03. 26			0.0±0.25	DESIGNER	[Signature]	17/03/27		DWG. NO:
C2	变更公司名称	17. 03. 27			0.00±0.15	DRAWN	卢小锋	17. 03. 27		ENDE05
					0.000±0.08					REV: C2 SHEET: 1/1