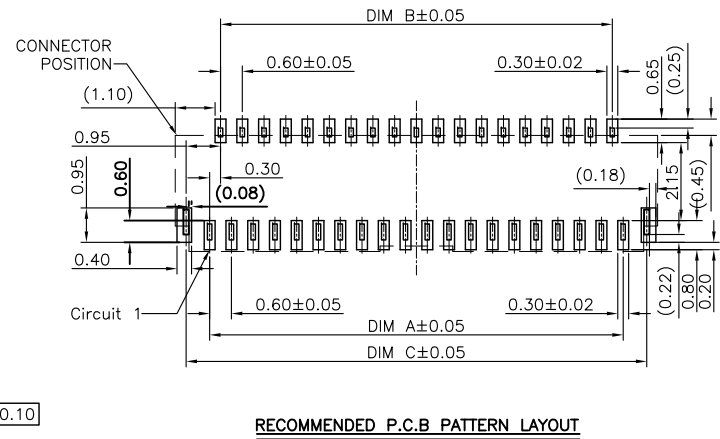
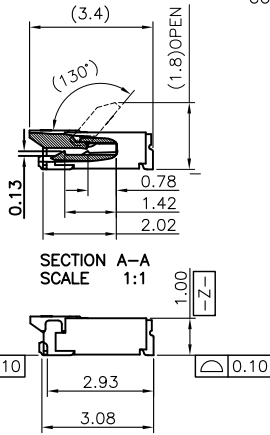
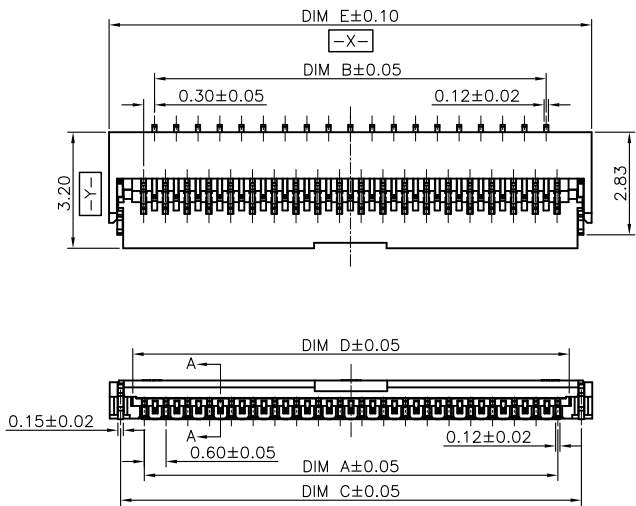


环保物料

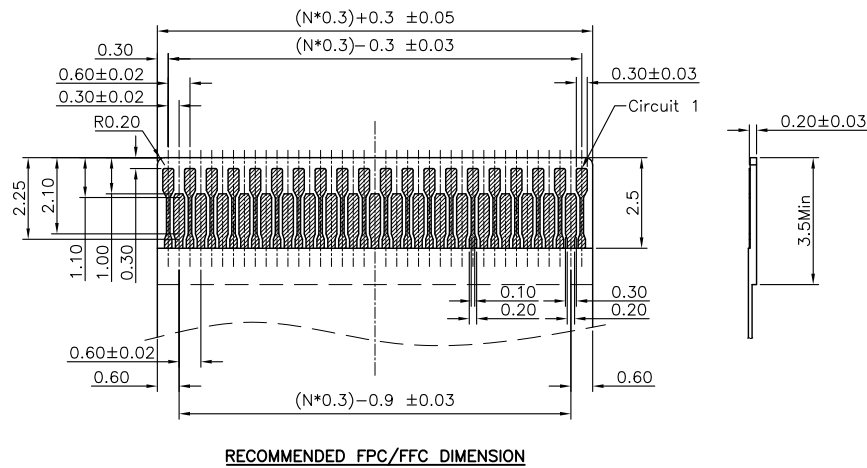


CKTS	DIM A	DIM B	DIM C	DIM D	DIM E
13	3.60	3.00	4.90	4.23	5.50
15	4.20	3.60	5.50	4.83	6.10
17	4.80	4.20	6.10	5.43	6.70
19	5.40	4.80	6.70	6.03	7.30
21	6.00	5.40	7.30	6.63	7.90
23	6.60	6.00	7.90	7.23	8.50
25	7.20	6.60	8.50	7.83	9.10
27	7.80	7.20	9.10	8.43	9.70
29	8.40	7.80	9.70	9.03	10.30
31	9.00	8.40	10.30	9.63	10.90
33	9.60	9.00	10.90	10.23	11.50
35	10.20	9.60	11.50	10.83	12.10
37	10.80	10.20	12.10	11.43	12.70
39	11.40	10.80	12.70	12.03	13.30
41	12.00	11.40	13.30	12.63	13.90
43	12.60	12.00	13.90	13.23	14.50
45	13.20	12.60	14.50	13.83	15.10
47	13.80	13.20	15.10	14.43	15.70
49	14.40	13.80	15.70	15.03	16.30
51	15.00	14.40	16.30	15.63	16.90
53	15.60	15.00	16.90	16.23	17.50
55	16.20	15.60	17.50	16.83	18.10
57	16.80	16.20	18.10	17.43	18.70
59	17.40	16.80	18.70	18.03	19.30
61	18.00	17.40	19.30	18.63	19.90
63	18.60	18.00	19.90	19.23	20.50
65	19.20	18.60	20.50	19.83	21.10
67	19.80	19.20	21.10	20.43	21.70
69	20.40	19.80	21.70	21.03	22.30
71	21.00	20.40	22.30	21.63	22.90

Voltage Rating : 30V AC/DC
 Current Rating : 0.2A AC,DC
 Withstand Voltage : 90V AC/minute
 Contact Resistance : 30mΩ(MAX.)
 Insulation Resistance : 50MΩ(MIN.)
 Temperature Range : -25°C~+85°C

40301W90-NPN-S H L OA T B R
 ① ② ③ ④ ⑤ ⑥ ⑦ ⑧ ⑨ ⑩ ⑪

- ① Series No.
- ② W90 :Right angle
- ③ No. of Circuits
- ④ Color: A=Black
N=Natural
- ⑤ S: SMT type
- ⑥ H=HF
- ⑦ Material: L=LCP
- ⑧ Plating for contacts:
OA=Gold/Flash-plated
contact area
- ⑨ Plating for LEG:
T=Tin Plating
- ⑩ Assembly Style
B=Bottom Contacts
- ⑪ R=Tape & Reel



No.	Description	Material	Color/Finish
a	Housing	Thermoplastic,UL94V-0	Natural
b	Actuator	LCP,UL94V-0	Black
c	Terminal	Phosphor Bronze	Gold Flash
d	LEG	Phosphor Bronze	Matte Tin Plating Over Ni

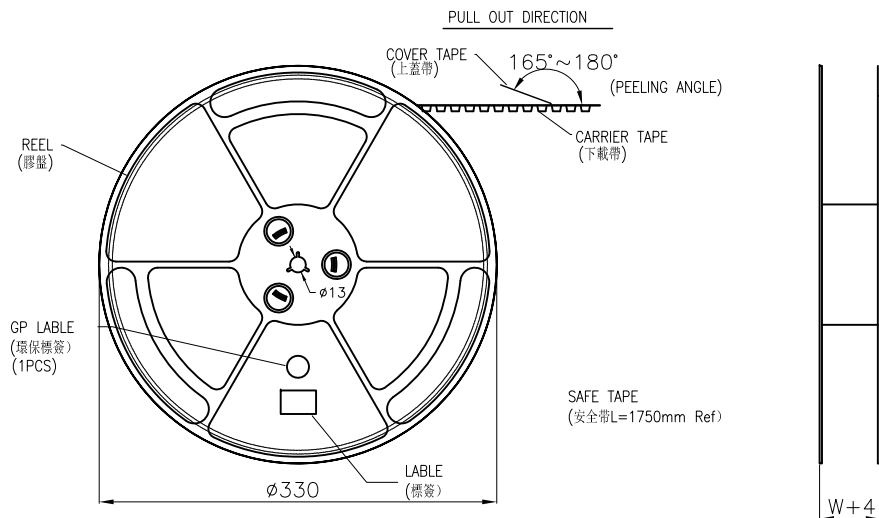
一般公差 GENERAL TOLERANCE					绘图 DR.	程功银	料号 PART NO.	文件编号 NUMBER	 TERMINAL&CONNECTORS		
X.X	±0.30	X*	±2*	校对 CHK.	李兴泽	40301W90-NPx-SHLOATBR	ENDPT01	比例 SCALE 1/1			
X.XX	±0.20	X.X*	±1*	审核 CHK.	杨章雄						
X.XXX	±0.10	▲ MAJOR DIM.			核准 APPD.	杨章雄	FPC 0.3Pitch 1.0H ZIF R/A Connector				
单位 UNIT	mm										

EMBOSSSED TAPE PACKING

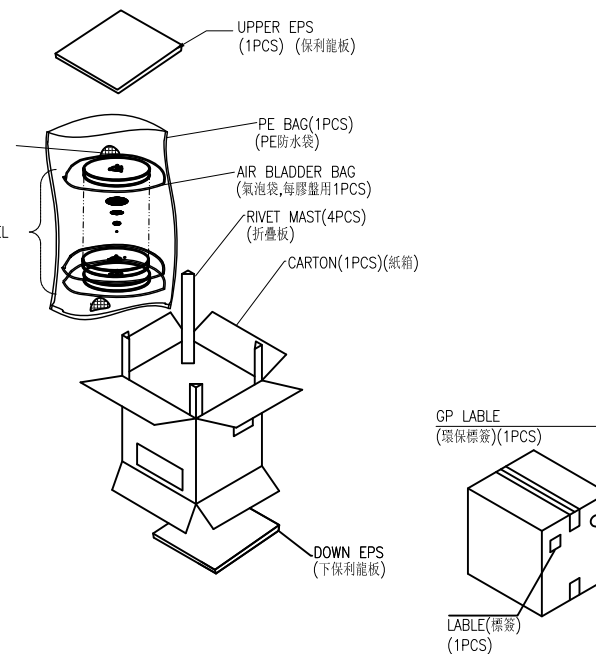
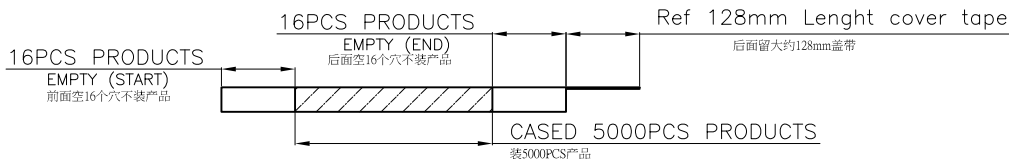
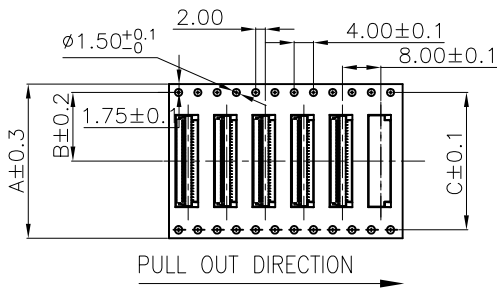
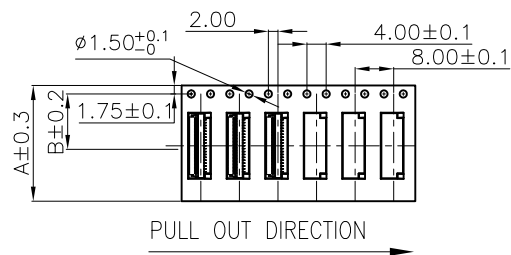
0.3mm Pitch FPC Connector, ZIF R/A SMT Type

NOTE:

- 1.10 Sprocket hole pitch cumulative tolerance ± 0.20 .
- 2.Carrier camber is within 1mm in 100mm.
- 3.Material: black conductive polystyrene alloy.
- 4.Material Thickness: 0.3 ± 0.05 mm.
- 5.All dimensions meet EIA-481-B requirements.
- 6.5000pcs Pef Reel.
- 7.For tape width(dim W)16 and 24mm pilot holes are provided on one sides.
For tape width(dim W)32, 44 and 56mm pilot holes are provided on both sides.



SCALE 1:4



PIN NO.	W	A	B	C	PCS /REEL	REEL/CARTON	SUM(PCS)
13PIN~25PIN	20.5	16	7.50	-	5000	15	75000
27PIN~51PIN	28.5	24	11.5	-	5000	10	50000
53PIN~69PIN	36.5	32	14.2	28.4	5000	8	40000
71PIN	48.5	44	20.2	40.4	5000	6	30000

一般公差 GENERAL TOLERANCE						绘图 DR.	程功银	料号 PART NO. 40301W90-NP _x -SHLOATBR	文件编号 NUMBER ENDPT01	 TERMINAL&CONNECTORS		
A2	20.08.21	更新图框发行	李兴泽	杨章雄	X.X ±0.15	X' ±2'	校对 CHK.					
A1	18.08.08	变更包装方向	李兴泽	杨章雄	X.XX ±0.05	X.X' ±1'	审核 CHK.	杨章雄				
A0	17.01.03	换图框发行	李兴泽	杨章雄	X.XXX ±0.02	▲ MAJOR DIM.	核准 APPD.	杨章雄				
版次 REV.	日期 DATE	变更内容 DESCRIPTION	审核 CHK.	核准 APPD.	单位 UNIT mm		品名 TITLE FPC 0.3Pitch 1.0H ZIF R/A Connector			比例 SCALE 1/1	SHEET 1/1	版次 REV. A2