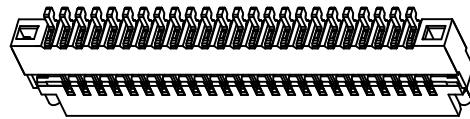
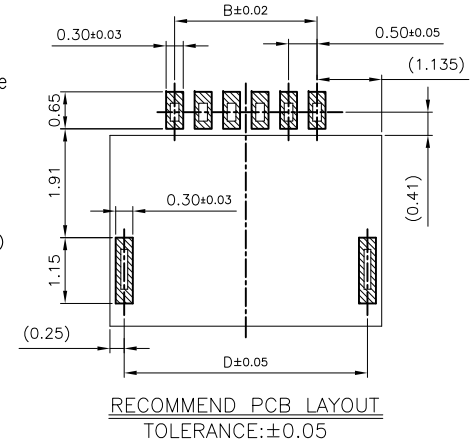


Voltage Rating : 50V AC/DC
 Current Rating : 0.5A AC,DC
 Withstand Voltage : 250V AC/minute
 Contact Resistance : 30mΩ(MAX.)
 Insulation Resistance : 100MΩ(MIN.)
 Temperature Range : -25°C~+85°C

40504W90-NPN-SHL0ATBR
 ① ② ③ ④ ⑤ ⑥ ⑦ ⑧ ⑨ ⑩ ⑪

- ① Series No.
- ② W90 :Right angle
- ③ No. of Circuits
- ④ Color: N=Natural
- ⑤ S: SMT type
- ⑥ H=Halogen Free
- ⑦ Material: L=LCP
- ⑧ Plating for contacts:
OA=Gold-flash on contact area
- ⑨ Plating for solder area:
T=Tin plating
- ⑩ Assembly Style
B=Bottom Contacts
- ⑪ R=Tape & Reel



3D Drawing

PIN NO.	DIM. A	DIM. B	DIM. C	DIM. D	PIN NO.	DIM. A	DIM. B	DIM. C	DIM. D
04	3.77	1.50	2.60	3.27	23	13.27	11.50	12.10	12.77
05	4.27	2.00	3.10	3.77	24	13.77	11.50	12.60	13.27
06	4.77	2.50	3.60	4.27	25	14.27	12.00	13.10	13.77
07	5.27	3.00	4.10	4.77	26	14.77	12.50	13.60	14.27
08	5.77	3.50	4.60	5.27	27	15.27	13.00	14.10	14.77
09	6.27	4.00	5.10	5.77	28	15.77	13.50	14.60	15.27
10	6.77	4.50	5.60	6.27	29	16.27	14.00	15.10	15.77
11	7.27	5.00	6.10	6.77	30	16.77	14.50	15.60	16.27
12	7.77	5.50	6.60	7.27	31	17.27	15.00	16.10	16.77
13	8.27	6.00	7.10	7.77	32	17.77	15.50	16.60	17.27
14	8.77	6.50	7.60	8.27	33	18.27	16.00	17.10	17.77
15	9.27	7.00	8.10	8.77	34	18.77	16.50	17.60	18.27
16	9.77	7.50	8.60	9.27	35	19.27	17.00	18.10	18.77
17	10.27	8.00	9.10	9.77	36	19.77	17.50	18.60	19.27
18	10.77	8.50	9.60	10.27	37	20.27	18.00	19.10	19.77
19	11.27	9.00	10.10	10.77	38	20.77	18.50	19.60	20.27
20	11.77	9.50	10.60	11.27	39	21.27	19.00	20.10	20.77
21	12.27	10.00	11.10	11.77	40	21.77	19.50	20.60	21.27
22	12.77	10.50	11.60	12.27	n	n*0.5+1.77	(n-1)*0.5	n*0.5+0.6	n*0.5+1.27

No.	Description	Material	Color/Finish
a	Housing	LCP,UL94V-0	Natural
b	Actuator	LCP,UL94V-0	Black
c	Terminal	Phosphor Bronze	Gold Flash
d	LEG	Phosphor Bronze	Matte Tin Plating Over Ni

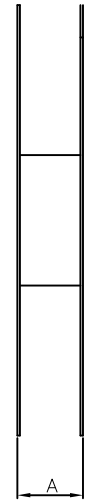
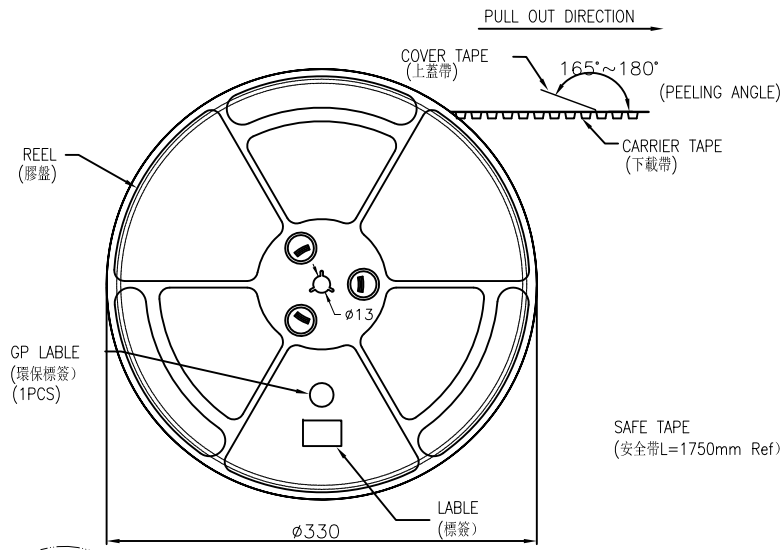
一般公差 GENERAL TOLERANCE					绘图 DR.	程功银	料号 PART NO.		文件编号 NUMBER		JCTC® TERMINAL&CONNECTORS		
X.X ±0.25		X' ±2'		校核 CHK.	李兴泽	40504W90-NPN-SHLOATBR		ENDE05					
X.XX ±0.15		X.X' ±1'				审核 CHK.	杨章雄	品名 TITLE		FPC 0.5 Pitch 1.0H ZIF R/A Connector		比例 SCALE	SHEET
X.XXX ±0.08		△ MAJOR DIM.		核准 APPD.	杨章雄							1/1	1/2
单位 UNIT	mm												
A1	20.08.21	更新图框发行	李兴泽	杨章雄									
A0	17.01.06	新图面发行	李兴泽	杨章雄									
版次 REV.	日期 DATE	变更内容 DESCRIPTION	审核 CHK.	核准 APPD.									

环保物料

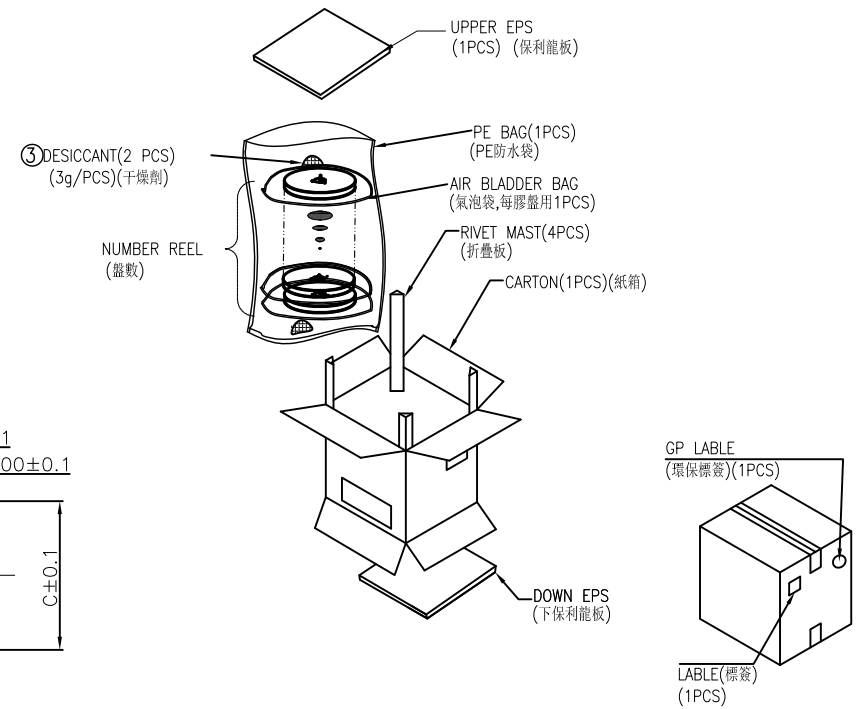
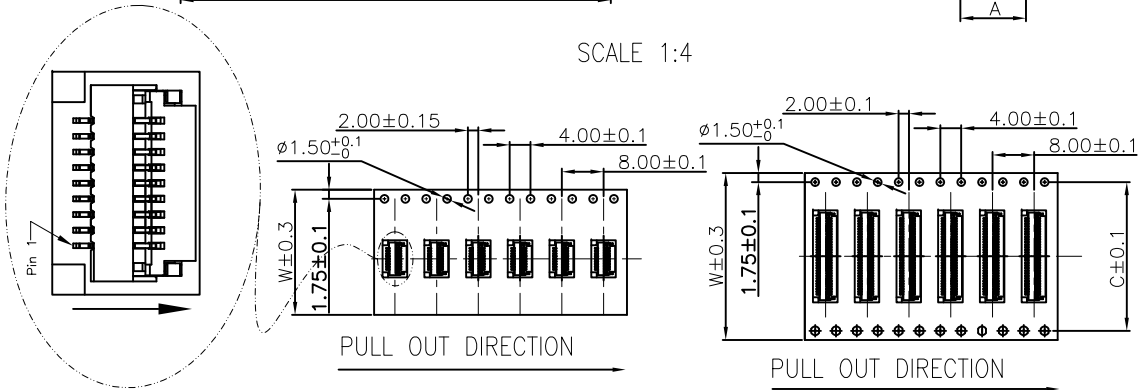
检验规范

NOTE:

- 1.10 Sprocket hole pitch cumulative tolerance ± 0.20 .
2. Carrier camber is within 1mm in 100mm.
3. Material: black conductive polystyrene alloy.
4. Material Thickness: 0.3 ± 0.05 mm.
5. All dimensions meet EIA-481-B requirements.
6. 5000pcs Pef Reel.
7. For tape width(dim W) 12, 16 and 24mm pilot holes are provided on one sides.
For tape width(dim W) 32, 44 and 56mm pilot holes are provided on both sides.



SCALE 1:4



PIN NO.	W	A	C	PCS /REEL	REEL/CARTON	SUM(PCS)
4PIN~8PIN	12	16.5	-	5000	18	90000
9PIN~13PIN	16	20.5	-	5000	15	75000
14PIN~30PIN	24	28.5	-	5000	10	50000
31PIN~40PIN	32	36.5	28.4	5000	8	40000
41PIN~50PIN	44	48.5	40.4	5000	6	30000

A1		17.02.08	更新图框发行	李兴泽	杨章雄	一般公差 GENERAL TOLERANCE X.X ±0.25 X' ±5' X.XX ±0.15 X.X' ±2' X.XXX ±0.08 ▲ MAJOR DIM.	绘图 DR. 程功银 校对 CHK. 李兴泽 审核 CHK. 李兴泽 核准 APPD. 杨章雄	料号 PART NO. 40504W90-NPN-SHLOATBR	文件编号 NUMBER ENDE05	JCTC [®] TERMINAL&CONNECTORS		
A0		17.02.08	新图面发行	李兴泽	杨章雄							
版次 REV.	日期 DATE	变更内容 DESCRIPTION	审核 CHK.	核准 APPD.								