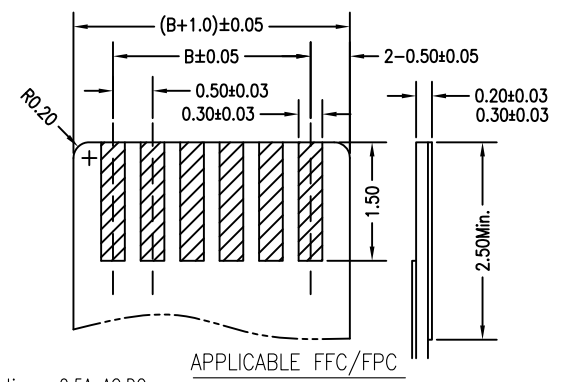
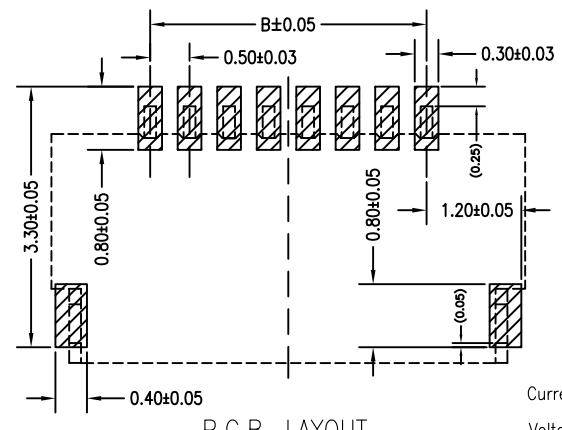
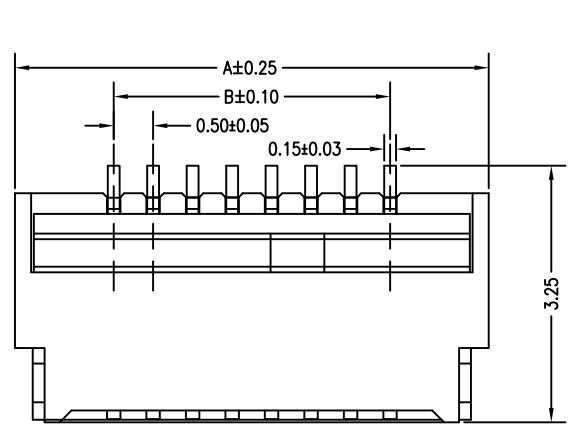
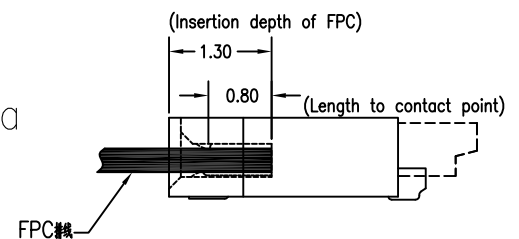
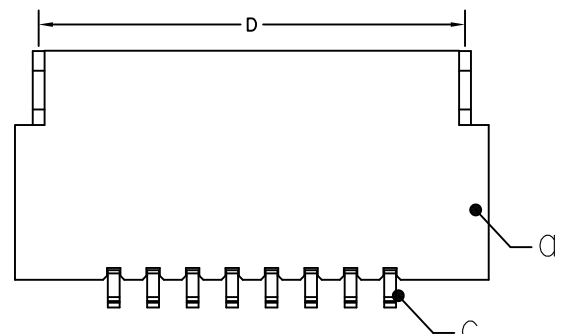
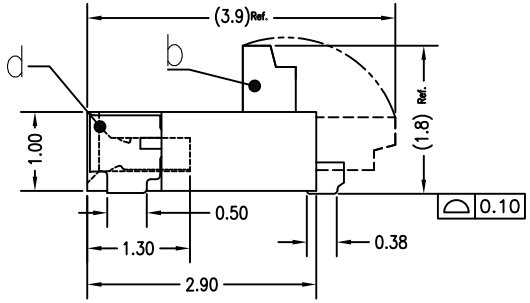
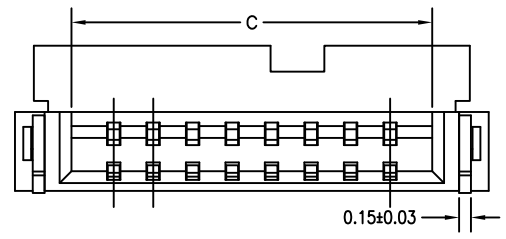


# 环保物料



P.C.B. LAYOUT

Current Rating : 0.5A AC,DC  
 额定电流 : 0.5A AC,DC  
 Voltage Rating : 50V AC/DC  
 额定电压 : 50V AC/DC  
 Withstand Voltage : 250V AC/minute  
 耐压 : 250V AC/minute  
 Contact Resistance : 30mΩ(MAX.)  
 接触电阻 : 30mΩ(MAX.)  
 Insulation Resistance : 100MΩ(MIN.)  
 绝缘电阻 : 100MΩ(MIN.)  
 Temperature Range : -25°C~+85°C  
 温度范围 : -25°C~+85°C



40506W90-NP<sub>x</sub>-S H L OA T C R-D9

- ① Series No.
- ② W90 :Right angle
- ③ No. of Circuits
- ④ Color: A=Black&0.3mm FFC线  
Color: G=Blue&0.2mm FFC线  
Color:B=Blue&0.2mm FFC线
- ⑤ S: SMT type
- ⑥ H=Halogen Free
- ⑦ Material: L=LCP
- ⑧ Plating for contacts:  
OA=Gold-flash on contact area
- ⑨ Plating for solder area:  
T=Tin Plating
- ⑩ Assembly Style  
C=Turned up actuator the back
- ⑪ R=Tape & Reel

Dimensional Information:

| Part No. | Dimensions |       |       |       |
|----------|------------|-------|-------|-------|
|          | A          | B     | C     | D     |
| 4P       | 4.00       | 1.50  | 2.57  | 3.40  |
| 5P       | 4.50       | 2.00  | 3.07  | 3.90  |
| 6P       | 5.00       | 2.50  | 3.57  | 4.40  |
| 8P       | 6.00       | 3.50  | 4.57  | 5.40  |
| 9P       | 6.50       | 4.00  | 5.07  | 5.90  |
| 10P      | 7.00       | 4.50  | 5.57  | 6.40  |
| 12P      | 8.00       | 5.50  | 6.57  | 7.40  |
| 14P      | 9.00       | 6.50  | 7.57  | 8.40  |
| 16P      | 10.00      | 7.50  | 8.57  | 9.40  |
| 18P      | 11.00      | 8.50  | 9.57  | 10.40 |
| 20P      | 12.00      | 9.50  | 10.57 | 11.40 |
| 22P      | 13.00      | 10.50 | 11.57 | 12.40 |
| 24P      | 14.00      | 11.50 | 12.57 | 13.40 |
| 26P      | 15.00      | 12.50 | 13.57 | 14.40 |
| 28P      | 16.00      | 13.50 | 14.57 | 15.40 |
| 30P      | 17.00      | 14.50 | 15.57 | 16.40 |
| 32P      | 18.00      | 15.50 | 16.57 | 17.40 |
| 34P      | 19.00      | 16.50 | 17.57 | 18.40 |
| 36P      | 20.00      | 17.50 | 18.57 | 19.40 |
| 38P      | 21.00      | 18.50 | 19.57 | 20.40 |
| 40P      | 22.00      | 19.50 | 20.57 | 21.40 |
| 42P      | 23.00      | 20.50 | 21.57 | 22.40 |
| 45P      | 24.50      | 22.00 | 23.07 | 23.90 |
| 50P      | 27.00      | 24.50 | 25.57 | 26.40 |

| No. | Description | Material        | Color/Finish              |
|-----|-------------|-----------------|---------------------------|
| a   | Housing     | LCP,UL94V-0     | Natural                   |
| b   | Actuator    | PA9T,UL94V-0    | Black/Blue                |
| c   | Terminal    | Phosphor Bronze | Gold Fash                 |
| d   | LEG         | Phosphor Bronze | Matte Tin Plating Over Ni |

| 版次REV | 日期 DATE  | 变更内容 DESCRIPTION | 审核 CHK. | 核准 APPD. |
|-------|----------|------------------|---------|----------|
| A2    | 20.08.21 | 更新图框发行           | 李兴泽     | 杨章雄      |
| A1    | 17.01.02 | 变更公司抬头发行         | 李兴泽     | 杨章雄      |
| A0    | 13.01.08 | 新图面发行            | 李兴泽     | 杨章雄      |

| 一般公差 GENERAL TOLERANCE |              |
|------------------------|--------------|
| X.X ±0.20              | X* ±2'       |
| X.XX ±0.15             | X.X* ±1'     |
| X.XXX ±0.05            | ▲ MAJOR DIM. |

| 绘图 DR. | 校对 CHK. | 审核 CHK. | 核准 APPD. |
|--------|---------|---------|----------|
| 程功银    | 李兴泽     | 李兴泽     | 杨章雄      |

| 料号 PART NO.                           | 文件编号 NUMBER |
|---------------------------------------|-------------|
| 40506W90-NP <sub>x</sub> -SHLOATCR-D9 | ENDPT01     |
| 品名 TITLE                              |             |
| FPC 0.5 Pitch 1.0H ZIF R/A Connector  |             |

| 比例 SCALE | SHEET | 版次 REV. |
|----------|-------|---------|
| 1/1      | 1/1   | A2      |

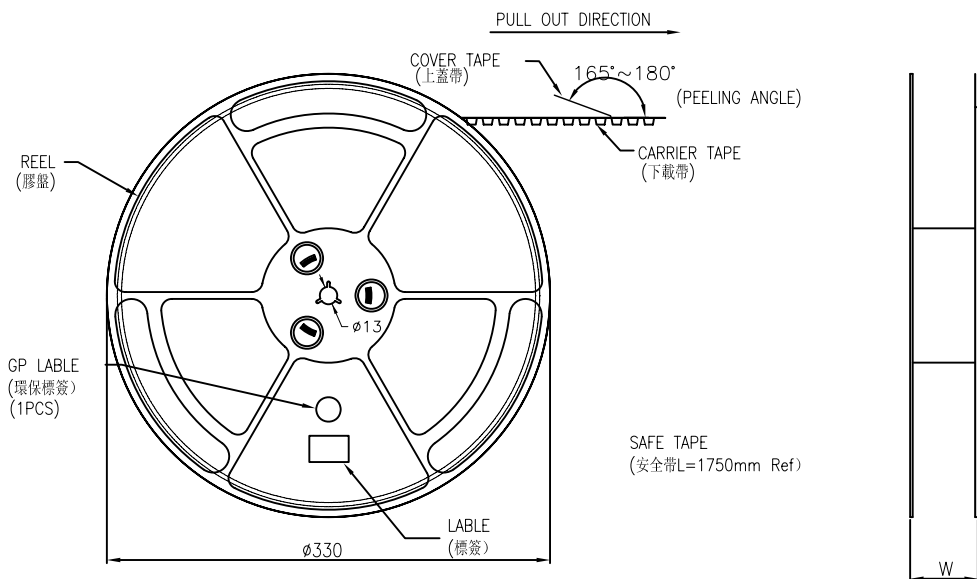
**JCTC**®  
 TERMINAL&CONNECTORS

# 环保物料

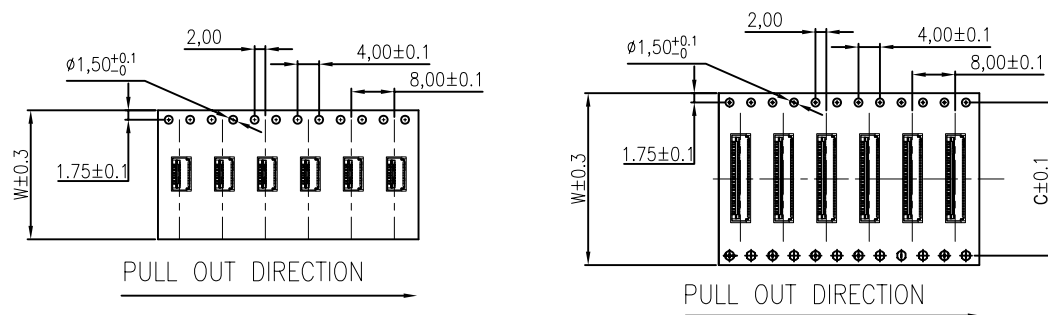
# 检验规范

NOTE:

- 1.10 Sprocket hole pitch cumulative tolerance  $\pm 0.20$ .
2. Carrier camber is within 1mm in 100mm.
3. Material: black conductive polystyrene alloy.
4. Material Thickness:  $0.3 \pm 0.05$ mm.
5. All dimensions meet EIA-481-B requirements.
6. 5000pcs Pef Reel.
7. For tape width(dim W)16 and 24mm pilot holes are provided on one sides. For tape width(dim W)32, 44 and 56mm pilot holes are provided on both sides.

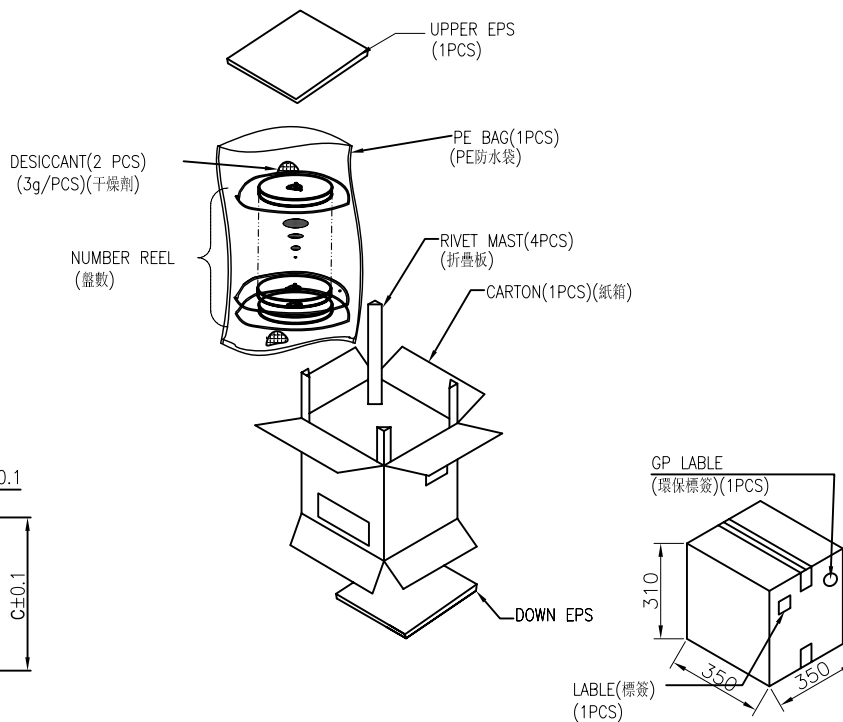
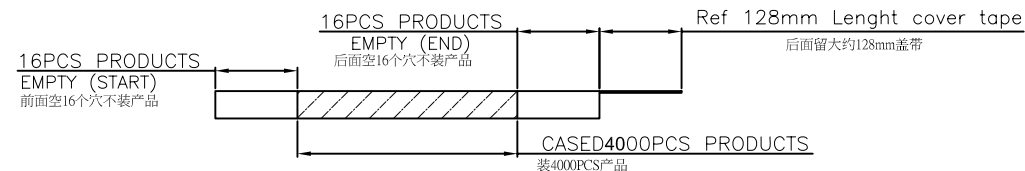


SCALE 1:4



PULL OUT DIRECTION

PULL OUT DIRECTION



| PIN NO.       | W  | C    | PCS /REEL | REEL/CARTON | SUM(PCS) |
|---------------|----|------|-----------|-------------|----------|
| 04PIN~14PIN   | 16 | -    | 4000      | 14          | 56000    |
| 15PIN~27PIN   | 24 | -    | 4000      | 9           | 36000    |
| 28 PIN~39 PIN | 32 | 28.4 | 4000      | 7           | 28000    |
| 40Pin ~50 PIN | 44 | 40.4 | 4000      | 5           | 20000    |

|         |          |                  |         |          |                        |               |          |     |                                       |  |             |     |                         |         |
|---------|----------|------------------|---------|----------|------------------------|---------------|----------|-----|---------------------------------------|--|-------------|-----|-------------------------|---------|
|         |          |                  |         |          | 一般公差 GENERAL TOLERANCE |               | 绘图 DR.   | 李兴泽 | 料号 PART NO.                           |  | 文件编号 NUMBER |     | <br>TERMINAL&CONNECTORS |         |
|         |          |                  |         |          | X.X $\pm 0.20$         | X* $\pm 2'$   | 校对 CHK.  |     | 40506W90-NP <sub>x</sub> -SHLOATCR-D9 |  | ENDPT01     |     |                         |         |
|         |          |                  |         |          | X.XX $\pm 0.15$        | X.X* $\pm 1'$ | 审核       |     | 品名 TITLE                              |  | 比例 SCALE    |     | SHEET                   | 版次 REV. |
| A0      | 17.01.02 | 换图框发行            | 李兴泽     | 杨章雄      | X.XXX $\pm 0.05$       | ▲ MAJOR DIM.  | 核准 CHK.  |     | FPC 0.5 Pitch 1.0H ZIF R/A Connector  |  | 1/1         | 1/1 | A0                      |         |
| 版次 REV. | 日期 DATE  | 变更内容 DESCRIPTION | 审核 CHK. | 核准 APPD. | 单位 UNIT                | mm            | 核准 APPD. |     |                                       |  |             |     |                         |         |