

环保物料

40509W90-NPN-S H L 2E T B R

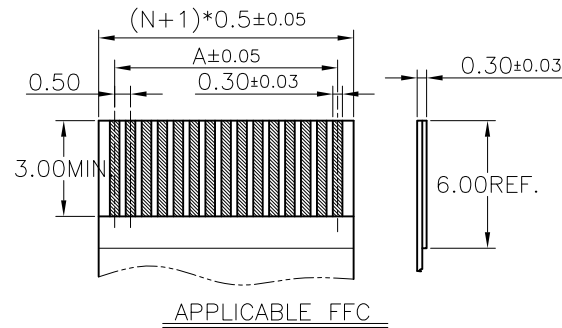
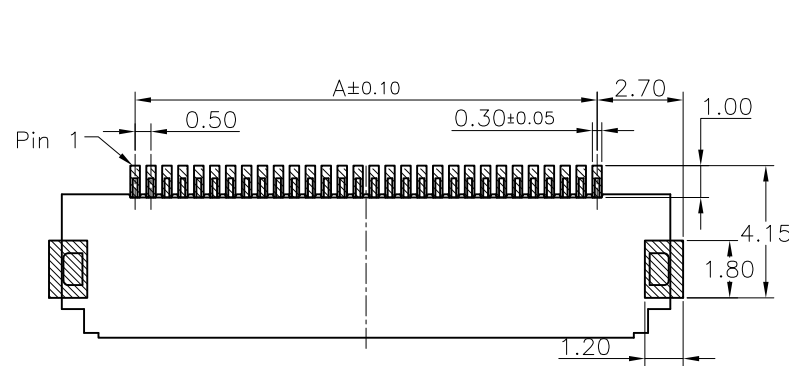
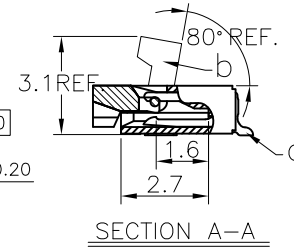
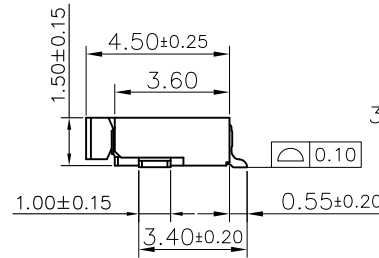
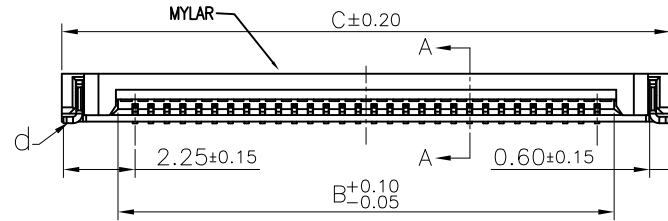
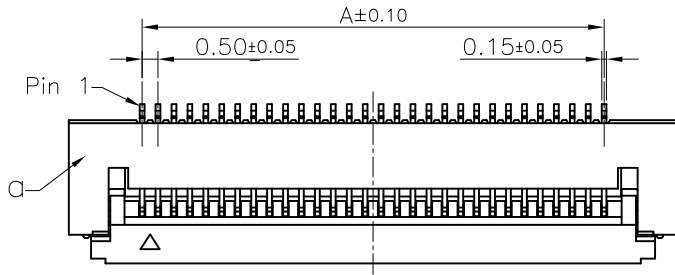
① ② ③④⑤⑥⑦⑧ ⑨⑩⑪

- ① Series No.
- ② W90 :Right angle
- ③ No. of Circuits
- ④ Color: N=Natural
- ⑤ S: SMT type
- ⑥ H=Halogen Free
- ⑦ Material: L=LCP

- ⑨ Plating for solder area:  
T=Matte Tin-plating(80~120u")
- ⑩ Assembly Style  
B=Bottom Contacts
- ⑪ R=Tape & Reel  
M=Tape Reel&Mylar

Current Rating : 0.5A AC,DC  
 额定电流 : 0.5A AC,DC  
 Voltage Rating : 50V AC/DC  
 额定电压 : 50V AC/DC  
 Withstand Voltage : 250V AC/minute  
 耐压 : 250V AC/minute  
 Contact Resistance : 30mΩ(MAX.)  
 接触电阻 : 30mΩ(MAX.)  
 Insulation Resistance : 100MΩ(MIN.)  
 绝缘电阻 : 100MΩ(MIN.)  
 Temperature Range : -25°C~+85°C  
 温度范围 : -25°C~+85°C

- ⑧ Plating for contacts:  
2E=Matte Tin-plated  
0A=Gold-flash on contact area



CKTS	DIM A	DIM B	DIM C	DIM W	CAKTS	DIM A	DIM B	DIM C	DIM W
4	1.50	2.60	6.10	3.00	33	16.00	17.10	20.60	10
5	2.00	3.10	6.60		34	16.50	17.60	21.10	
6	2.50	3.60	7.10		35	17.00	18.10	21.60	
7	3.00	4.10	7.60		36	17.50	18.60	22.10	
8	3.50	4.60	8.10		37	18.00	19.10	22.60	
9	4.00	5.10	8.60	38	18.50	19.60	23.10	4	
10	4.50	5.60	9.10	39	19.00	20.10	23.60		
11	5.00	6.10	9.60	40	19.50	20.60	24.10		
12	5.50	6.60	10.10	41	20.00	21.10	24.60		
13	6.00	7.10	10.60	42	20.50	21.60	25.10		
14	6.50	7.60	11.10	43	21.00	22.10	25.60	5	
15	7.00	8.10	11.60	44	21.50	22.60	26.10		
16	7.50	8.60	12.10	45	22.00	23.10	26.60		
17	8.00	9.10	12.60	46	22.50	23.60	27.10		
18	8.50	9.60	13.10	47	23.00	24.10	27.60		
19	9.00	10.10	13.60	48	23.50	24.60	28.10	6	
20	9.50	10.60	14.10	49	24.00	25.10	28.60		
21	10.00	11.10	14.60	50	24.50	25.60	29.10		
22	10.50	11.60	15.10	51	25.00	26.10	29.60		
23	11.00	12.10	15.60	52	25.50	26.60	30.10		
24	11.50	12.60	16.10	53	26.00	27.10	30.60	7	
25	12.00	13.10	16.60	54	26.50	27.60	31.10		
26	12.50	13.60	17.10	55	27.00	28.10	31.60		
27	13.00	14.10	17.60	56	27.50	28.60	32.10		
28	13.50	14.60	18.10	57	28.00	29.10	32.60		
29	14.00	15.10	18.60	58	28.50	29.60	33.10	8	
30	14.50	15.60	19.10	59	29.00	30.10	33.60		
31	15.00	16.10	19.60	60	29.50	30.60	34.10		
32	15.50	16.60	20.10						

No.	Description	Material	Color/Finish
a	Housing	LCP,UL94V-0	Natural
b	Actuator	LCP,UL94V-0	Black
c	Terminal	Phosphor Bronze	Matte Tin/Gold Flash
d	LEG	Phosphor Bronze	Matte Tin Plating Over Ni

一般公差 GENERAL TOLERANCE						绘图 DR.	程功银	料号 PART NO.	文件编号 NUMBER	JGTC® TERMINAL&CONNECTORS
X.X	±0.30	X'	±2'	校对 CHK.	李兴泽	40509W90-NPN-SHLXXTBR	ENDPT01	品名 TITLE FPC 0.5 Pitch 1.5H ZIF R/A Connector	比例 SCALE 1/1	
X.XX	±0.20	X.X'	±1'	审核 CHK.	李兴泽				SHEET 1/2	
X.XXX	±0.10	▲ MAJOR DIM.		核准 APPD.	杨章雄					
版次 REV.	日期 DATE	变更内容 DESCRIPTION	审核 CHK.	核准 APPD.	mm					

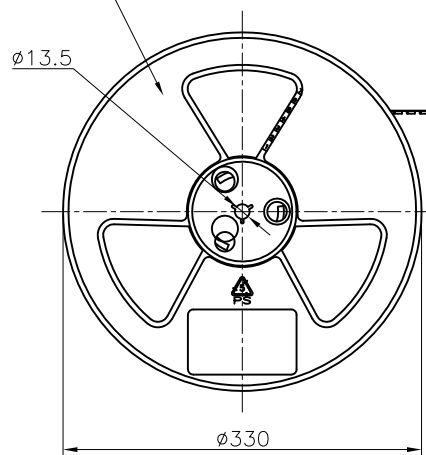
# 环保物料

## NOTES:

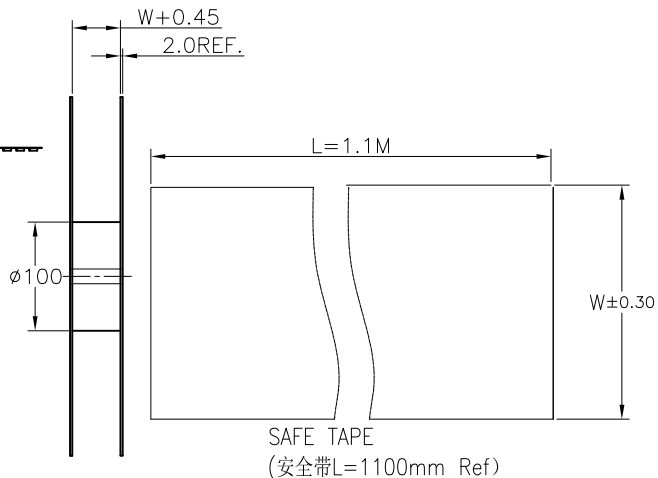
1. 10 SPROCKET HOLE PITCH CUMULATIVE TOLERANCE.  $\pm 0.20\text{mm}$
2. CARRIER CAMBER NOT TO EXCEED 1mm IN 100mm.
3. ALL DIMENSIONS MEET EIA-481-C REQUIREMENTS.
4. MATERIAL: BLACK ANTI-STATIC POLYSTYRENE.
5. THICKNESS:  $0.3 \pm 0.05 \text{ mm}$ .
6. PACKING LENGTH PER 13" REEL : 32.8 METERS.
7. COMPONENT LOAD PER 13" REEL : 4000 PCS.
8. 成品擺放方向應同向

此为胶盘

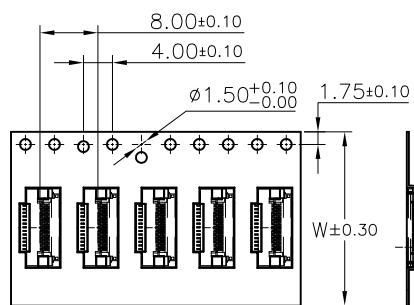
PULL OUT DIRECTION



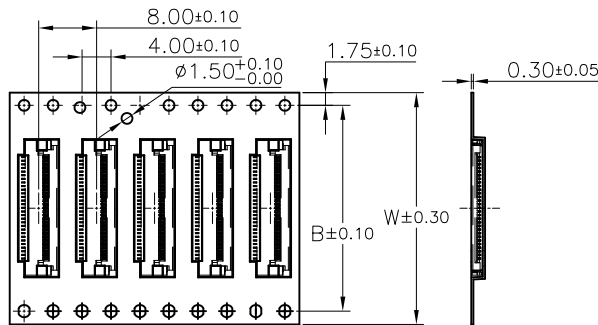
SCALE 3:20



SAFE TAPE  
(安全带L=1100mm Ref)



PULL OUT DIRECTION



PULL OUT DIRECTION

DESICCANT(2 PCS)  
(3g/PCS)(干燥剂)

UPPER EPS  
(1PCS)

PE BAG(1PCS)  
(PE防水袋)

AIR BLADDER BAG  
(气泡袋,每膠盤用1PCS)

RIVET MAST(4PCS)  
(折疊板)

CARTON(1PCS)(紙箱)

NUMBER REEL  
(盤數)

DOWN EPS  
(1PCS)

LABLE(標籤)  
(1PCS)

PIN NO.	W	B	PCS /REEL
4PIN~6PIN	16	—	4000
7PIN~23PIN	24	—	4000
24PIN~33PIN	32	28.4	4000
34PIN~53PIN	44	40.4	4000
54PIN~60PIN	56	52.4	4000

8	A1	20.08.26	更新图框发行	李兴泽	杨章雄
	A0	17.02.08	新图面发行	李兴泽	杨章雄
版次 REV.	日期 DATE	变更内容 DESCRIPTION	审核 CHK.	核准 APPD.	

一般公差 GENERAL TOLERANCE	
X.X $\pm 0.25$	X' $\pm 5'$
X.XX $\pm 0.15$	X.X' $\pm 2'$
X.XXX $\pm 0.08$	▲ MAJOR DIM.
单位 UNIT	
mm	

绘图 DR.	程功银
校对 CHK.	李兴泽
审核 CHK.	李兴泽
核准 APPD.	杨章雄

料号 PART NO.	40509W90-NPN-SHLxxTBR
品名 TITLE	FPC 0.5 Pitch 1.5H ZIF R/A Connector

文件编号 NUMBER	ENDPT01
-------------	---------

<b>JCTC</b> <sup>®</sup> TERMINAL&CONNECTORS		
比例 SCALE	SHEET	版次 REV.
1/1	2/2	A1