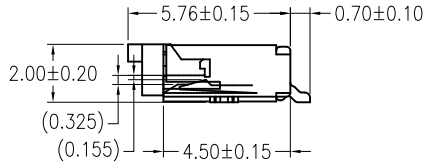
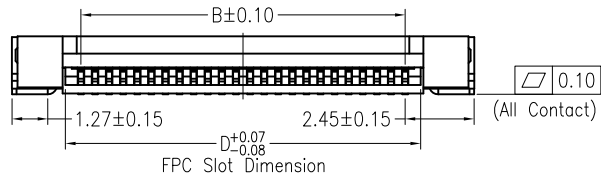
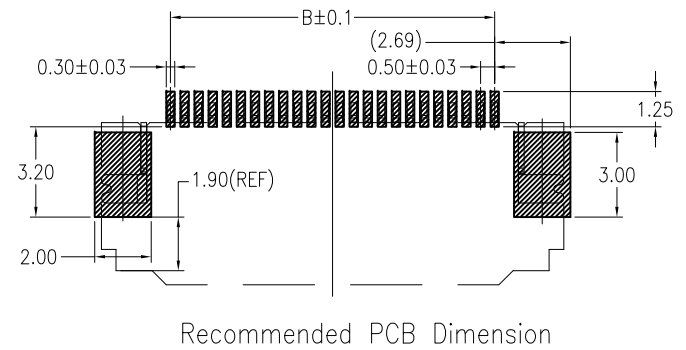
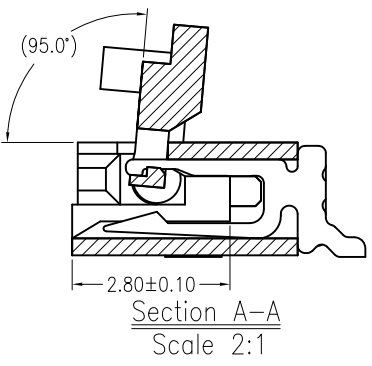
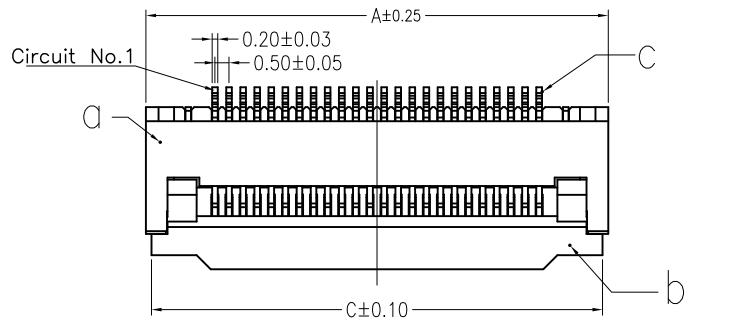
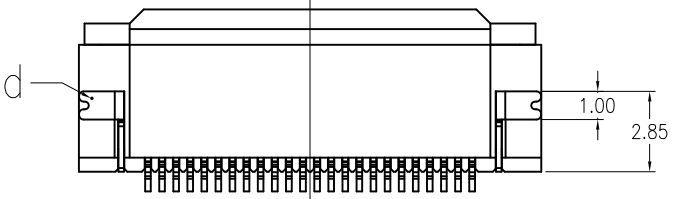


环保物料



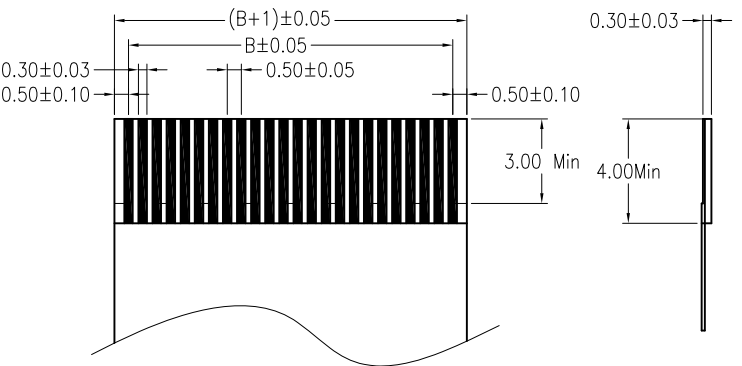
No. of Contacts	Dimension				No. of Contacts	Dimension			
	A	B	C	D		A	B	C	D
04	6.40	1.50	6.00	2.60	35	21.90	17.00	21.50	18.10
05	6.90	2.00	6.50	3.10	36	22.40	17.50	22.00	18.60
06	7.40	2.50	7.00	3.60	37	22.90	18.00	22.50	19.10
07	7.90	3.00	7.50	4.10	38	23.40	18.50	23.00	19.60
08	8.50	3.50	8.00	4.60	39	23.90	19.00	23.50	20.10
09	8.90	4.00	8.50	5.10	40	24.40	19.50	24.00	20.60
10	9.40	4.50	9.00	5.60	41	24.90	20.00	24.50	21.10
11	9.90	5.00	9.50	6.10	42	25.40	20.50	25.00	21.60
12	10.40	5.50	10.00	6.60	43	25.90	21.00	25.50	22.10
13	10.90	6.00	10.50	7.10	44	26.40	21.50	26.00	22.60
14	11.40	6.50	11.00	7.60	45	26.90	22.00	26.50	23.10
15	11.90	7.00	11.50	8.10	46	27.40	22.50	27.00	23.60
16	12.40	7.50	12.00	8.60	47	27.90	23.00	27.50	24.10
17	12.90	8.00	12.50	9.10	48	28.40	23.50	28.00	24.60
18	13.40	8.50	13.00	9.60	49	28.90	24.00	28.50	25.10
19	13.90	9.00	13.50	10.10	50	29.40	24.50	29.00	25.60
20	14.40	9.50	14.00	10.60	51	29.90	25.00	29.50	26.10
21	14.90	10.00	14.50	11.10	52	30.40	25.50	30.00	26.60
22	15.40	10.50	15.00	11.60	53	30.90	26.00	30.50	27.10
23	15.90	11.00	15.50	12.10	54	31.40	26.50	31.00	27.60
24	16.40	11.50	16.00	12.60	55	31.90	27.00	31.50	28.10
25	16.90	12.00	16.50	13.10	56	32.40	27.50	32.00	28.60
26	17.40	12.50	17.00	13.60	57	32.90	28.00	32.50	29.10
27	17.90	13.00	17.50	14.10	58	33.40	28.50	33.00	29.60
28	18.40	13.50	18.00	14.60	59	33.90	29.00	33.50	30.10
29	18.90	14.00	18.50	15.10	60	34.40	29.50	34.00	30.60
30	19.40	14.50	19.00	15.60	61	34.90	30.00	34.50	31.10
31	19.90	15.00	19.50	16.10	62	35.40	30.50	35.00	31.60
32	20.40	15.50	20.00	16.60	63	35.90	31.00	35.50	32.10
33	20.90	16.00	20.50	17.10	64	36.40	31.50	36.00	32.60
34	21.40	16.50	21.00	17.60	65	36.90	32.00	36.50	33.10



Voltage Rating : 50V AC/DC
 Current Rating : 0.5A AC/DC
 Withstand Voltage : 250V AC/minute
 Contact Resistance : 30mΩ(MAX.)
 Insulation Resistance : 100MΩ(MIN.)
 Temperature Range : -25°C~+85°C

40510W90-NPN-S H L XX T B R

- ① Series No.
- ② W90 :Right angle
- ③ No. of Circuits
- ④ Color: N=Natural
- S: SMT type
- ⑤ H=Halogen Free
- ⑥ Material: L=LCP
- ⑦ Plating for contacts:
2E=Matte Tin-plated
0A=Gold-flash on contact area
- ⑧ Plating for solder area:
T=Matte Tin-plating
- ⑨ Assembly Style
B=Bottom Contacts
- ⑩ R=Tape & Reel

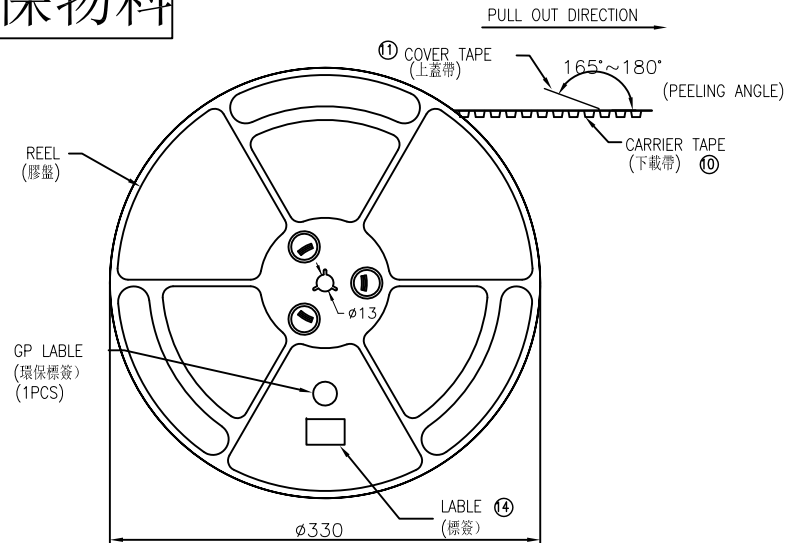


Recommended FPC Dimension

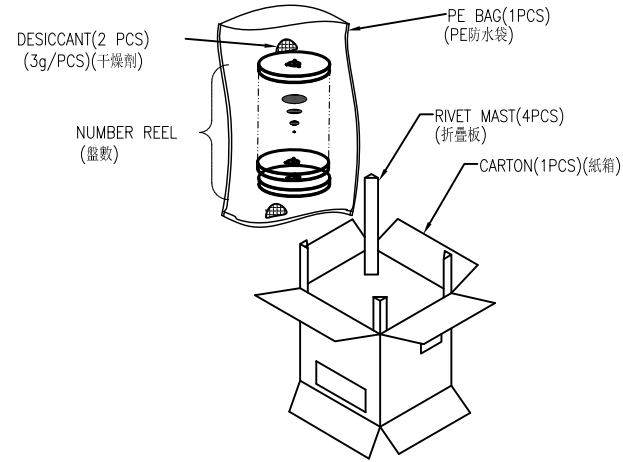
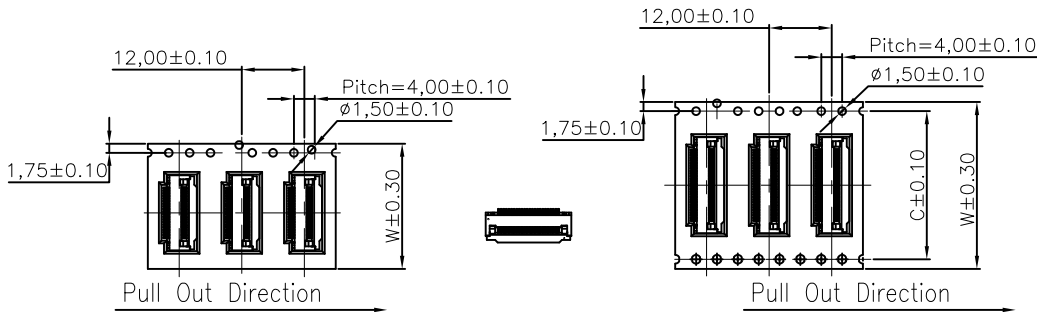
No.	Description	Material	Color/Finish
a	Housing	LCP,UL94V-0	Natural
b	Actuator	LCP,UL94V-0	Black
c	Terminal	Phosphor Bronze	Matte Tin/Gold Flash
d	LEG	Phosphor Bronze	Matte Tin Plating Over Ni

一般公差 GENERAL TOLERANCE					绘图 DR.	程功银	料号 PART NO.		文件编号 NUMBER		 TERMINAL&CONNECTORS
X.X ±0.25		X' ±2'		校对 CHK.	李兴泽	40510W90-NPN-SHLXXTBR		ENDE01			
X.XX ±0.15		X.X' ±1'				品名 TITLE		FPC 0.5 Pitch 2.0H ZIF R/A Connector			
A1	20.08.26	更新图框发行	李兴泽	杨章雄	审核 CHK.	李兴泽	比例 SCALE		SHEET	版次 REV.	
A0	17.02.08	新图面发行	李兴泽	杨章雄	核准 APPD.	杨章雄	1/1	1/2	A1		
版次 REV.	日期 DATE	变更内容 DESCRIPTION	审核 CHK.	核准 APPD.	单位 UNIT	mm					

环保物料

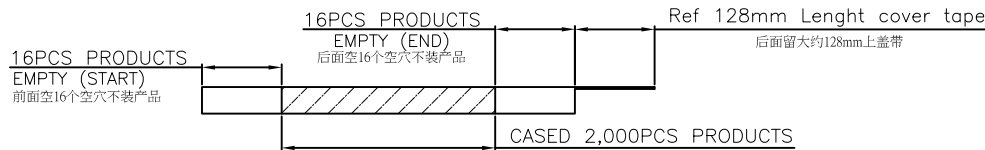


Scale 1:4



NOTE:

- 1.10 Sprocket hole pitch cumulative tolerance ± 0.20 .
2. Carrier camber is within 1mm in 100mm.
3. Material: black conductive polystyrene alloy.
4. Material Thickness: 0.3 ± 0.05 mm.
5. All dimensions meet EIA-481-B requirements.
6. 2000pcs Pef Reel.
7. For tape width(dim W)16 and 24mm pilot holes are provided on one sides. For tape width(dim W)32, 44 and 56mm pilot holes are provided on both sides.



PIN NO.	A	W	C	? PCS/Reel	? Reel/Carton	Sum(PCS)
04PIN~08PIN	20.5	16	-	2,000	15	30,000
09PIN~24PIN	28.5	24	-	2,000	10	20,000
25PIN~32PIN	36.5	32	-	2,000	08	16,000
33PIN~54PIN	48.5	44	40.4	2,000	06	12,000
55PIN~65PIN	60.5	56	52.4	2,000	05	10,000

版次 REV.	日期 DATE	变更内容 DESCRIPTION	审核 CHK.	核准 APPD.
A1	20.08.26	更新图框发行	李兴泽	杨章雄
A0	17.02.08	新图面发行	李兴泽	杨章雄

一般公差 GENERAL TOLERANCE	
X.X ± 0.25	X' $\pm 5'$
X.XX ± 0.15	X.X' $\pm 2'$
X.XXX ± 0.08	▲ MAJOR DIM.
单位 UNIT	
mm	

绘图 DR.	程功银
校对 CHK.	李兴泽
审核 CHK.	李兴泽
核准 APPD.	杨章雄

料号 PART NO.	40510W90-NPN-SHLXXTBR
品名 TITLE	FPC 0.5 Pitch 2.0H ZIF R/A Connector

文件编号 NUMBER	ENDE01
-------------	--------

 TERMINAL&CONNECTORS		
比例 SCALE	SHEET	版次 REV.
1/1	2/2	A1