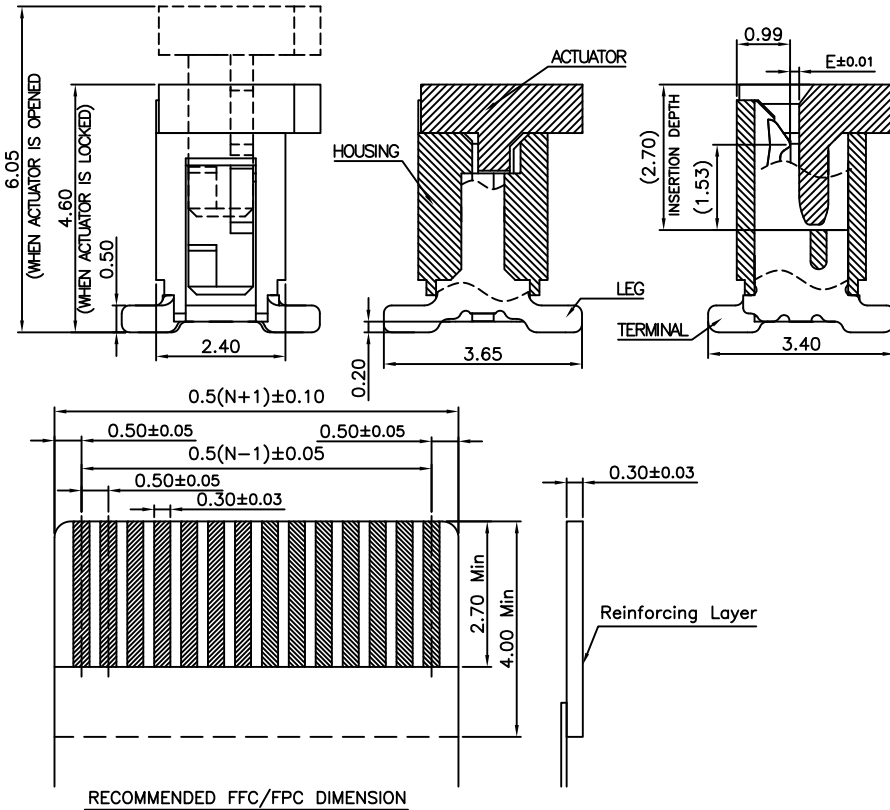
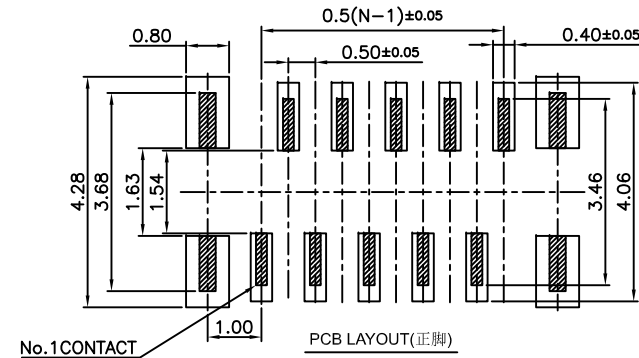
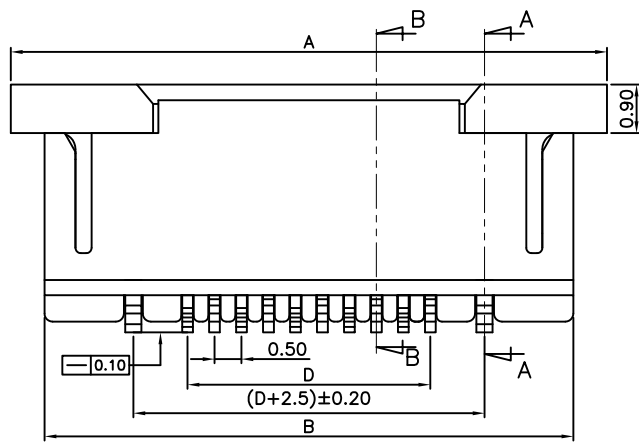
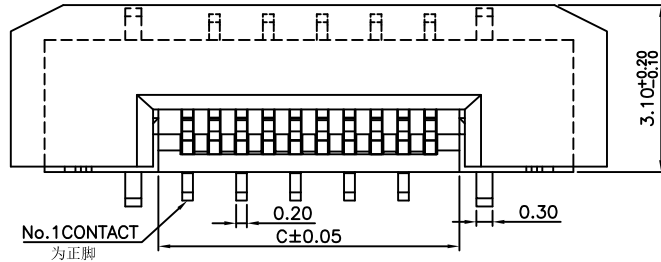


环保物料

40528W00- NPN-S R 6 xx T x R
 ① ② ③④⑤⑥⑦⑧⑨⑩⑪

- ① Series No.
- ② W00 :Straight Type
- ③ No. of Circuits
- ④ Color: N=Natural
- ⑤ S=SMT
- ⑥ R=RoHS
- ⑦ Material: 6=NY6T
- ⑧ Plating for contacts:
2E=Matte Tin-plated/Tin-plated
OA=Gold-flash on contact area
- ⑨ Plating for solder area:
T=LEG-Tin Plating
- ⑩ Assembly Style
U=无脚
B=有脚
- ⑪ R=Tape & Reel
T=Tube Backing
M=Reel with mylar Backing

Voltage Rating : 50V AC/DC
 Current Rating : 0.5A AC,DC
 Withstand Voltage : 250V AC/minute
 Contact Resistance : 30mΩ(MAX.)
 Insulation Resistance : 100MΩ(MIN.)
 Temperature Range : -25°C~+85°C



No. of contacts (n)	Dimensions				
	A	B	C	D	E
4	8.10	6.85	2.60	1.50	0.14
5	8.60	7.35	3.10	2.00	
6	9.10	7.85	3.60	2.50	
7	9.60	8.35	4.10	3.00	
8	10.10	8.85	4.60	3.50	
9	10.60	9.35	5.10	4.00	
10	11.10	9.85	5.60	4.50	
11	11.60	10.35	6.10	5.00	
12	12.10	10.85	6.60	5.50	
13	12.60	11.35	7.10	6.00	
14	13.10	11.85	7.60	6.50	
15	13.60	12.35	8.10	7.00	
16	14.10	12.85	8.60	7.50	
17	14.60	13.35	9.10	8.00	
18	15.10	13.85	9.60	8.50	
19	15.60	14.35	10.10	9.00	
20	16.10	14.85	10.60	9.50	
21	16.60	15.35	11.10	10.00	
22	17.10	15.85	11.60	10.50	
23	17.60	16.35	12.10	11.00	
24	18.10	16.85	12.60	11.50	
25	18.60	17.35	13.10	12.00	
26	19.10	17.85	13.60	12.50	
27	19.60	18.35	14.10	13.00	
28	20.10	18.85	14.60	13.50	
29	20.60	19.35	15.10	14.00	
30	21.10	19.85	15.60	14.50	
31	21.60	20.35	16.10	15.00	
32	22.10	20.85	16.60	15.50	
33	22.60	21.35	17.10	16.00	
34	23.10	21.85	17.60	16.50	
35	23.60	22.35	18.10	17.00	
36	24.10	22.85	18.60	17.50	
37	24.60	23.35	19.10	18.00	
38	25.10	23.85	19.60	18.50	
39	25.60	24.35	20.10	19.00	
40	26.10	24.85	20.60	19.50	
41	26.60	25.35	21.10	20.00	
42	27.10	25.85	21.60	20.50	
43	27.60	26.35	22.10	21.00	
44	28.10	26.85	22.60	21.50	
45	28.60	27.35	23.10	22.00	
46	29.10	27.85	23.60	22.50	
47	29.60	28.35	24.10	23.00	
48	30.10	28.85	24.60	23.50	
49	30.60	29.35	25.10	24.00	
50	31.10	29.85	25.60	24.50	

A2	20.08.26	更新图框发行	李兴泽	杨章雄
A1	17.07.27	更新图面发行	李兴泽	杨章雄
A0	17.02.09	新图面发行	李兴泽	杨章雄
版次 REV.	日期 DATE	变更内容 DESCRIPTION	审核 CHK.	核准 APPD.

一般公差 GENERAL TOLERANCE	
X.X ±0.25	X' ±2'
X.XX ±0.15	X.X' ±1'
X.XXX ±0.08	△ MAJOR DIM.
单位 UNIT	mm

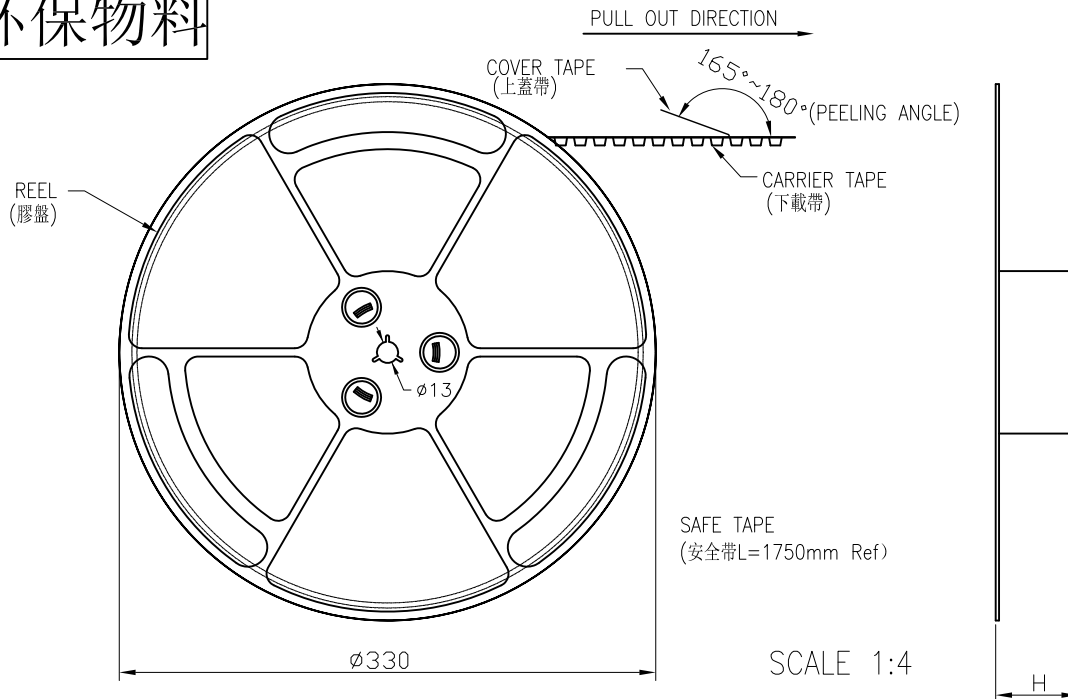
绘图 DR.	程功银
校对 CHK.	李兴泽
审核 CHK.	李兴泽
核准 APPD.	杨章雄

料号 PART NO.	40528W00-NPN-SR6xxTxR
品名 TITLE	FPC 0.5 Pitch 4.6H SMT Type Connector

文件编号 NUMBER	ENDE05
-------------	--------

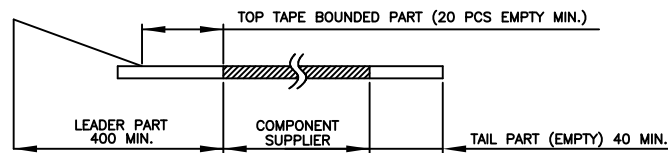
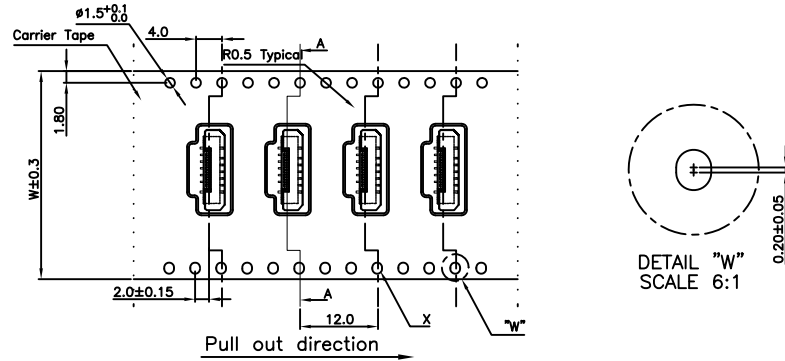
JCTC [®]		
TERMINAL&CONNECTORS		
比例 SCALE	SHEET	版次 REV.
1/1	1/2	A2

环保物料



Notes:

1. sprocket hole pitch cumulative tolerance ± 0.2
2. Camber not to exceed 1mm in 100mm.
3. A0 and B0 measured on a plane 0.3mm above the bottom of the pocket.
4. K0 measured from a plane on the inside bottom of the pocket to the top surface of the carrier.
5. Pocket position relative to sprocket hole measured as true position of pocket, not pocket hole.
6. Electrostatic treatment.
7. Lead tape length: 400 mm Min.
8. Material of carrier tape: Polystyrene.
9. Material of top tape: PET, PE, PEF.
10. Material of reel: Polystyrene. (Recycle material contained)
11. Peeling off force of top tape: 40~100gf
Total stroke: 300mm, Speed 10mm/sec
Peel off should not be allowed, during contained.
12. Moisture Sensitivity Level MSL-1



注：当料带为24mm宽时，只有一边孔 即没有“X”边孔

PIN NO.	W	H	PCS /REEL
4PIN~20PIN	24	30.4Max	1000
21PIN~25PIN	32	38.4Max	1000
26PIN~50PIN	44	50.4Max	1000

一般公差 GENERAL TOLERANCE						绘图 DR.	程功敏	料号 PART NO.	文件编号 NUMBER			
A1	20.08.26	更新图框发行	李兴泽	杨章雄	X.X ±0.25	X' ±5'	40528W00-NPN-SR62ETxR	ENDE01				
A0	17.02.08	新图面发行	李兴泽	杨章雄	X.XX ±0.15	X.X' ±2'						
版次 REV.	日期 DATE	变更内容 DESCRIPTION	审核 CHK.	核准 APPD.	X.XXX ±0.08	▲ MAJOR DIM.	品名 TITLE	FPC 0.5 Pitch 4.6H SMT Type Connector		比例 SCALE 1/1	SHEET 2/2	版次 REV. A1