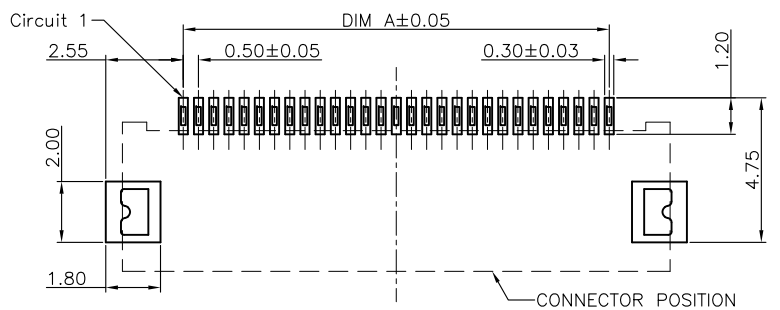
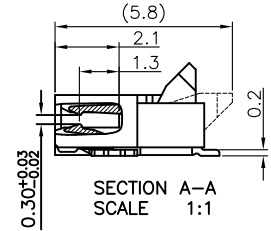
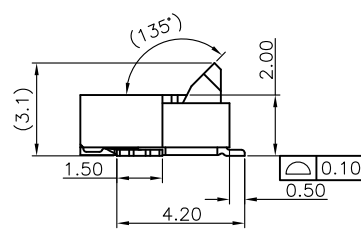
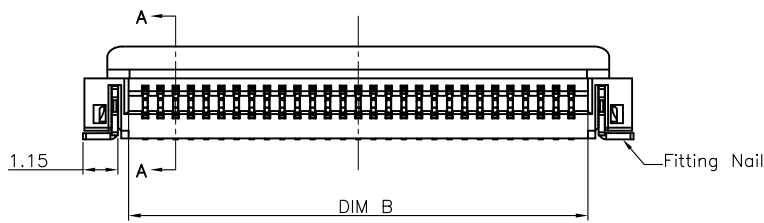


CKTS	DIM A	DIM B	DIM C	DIM D
4	1.50	2.60	5.50	5.60
5	2.00	3.10	6.00	6.10
6	2.50	3.60	6.50	6.60
7	3.00	4.10	7.00	7.10
8	3.50	4.60	7.50	7.60
9	4.00	5.10	8.00	8.10
10	4.50	5.60	8.50	8.60
11	5.00	6.10	9.00	9.10
12	5.50	6.60	9.50	9.60
13	6.00	7.10	10.00	10.10
14	6.50	7.60	10.50	10.60
15	7.00	8.10	11.00	11.10
16	7.50	8.60	11.50	11.60
17	8.00	9.10	12.00	12.10
18	8.50	9.60	12.50	12.60
19	9.00	10.10	13.00	13.10
20	9.50	10.60	13.50	13.60
21	10.00	11.10	14.00	14.10
22	10.50	11.60	14.50	14.60
23	11.00	12.10	15.00	15.10
24	11.50	12.60	15.50	15.60
25	12.00	13.10	16.00	16.10
26	12.50	13.60	16.50	16.60
27	13.00	14.10	17.00	17.10
28	13.50	14.60	17.50	17.60
29	14.00	15.10	18.00	18.10
30	14.50	15.60	18.50	18.60
31	15.00	16.10	19.00	19.10
32	15.50	16.60	19.50	19.60
33	16.00	17.10	20.00	20.10
34	16.50	17.60	20.50	20.60
35	17.00	18.10	21.00	21.10
36	17.50	18.60	21.50	21.60
37	18.00	19.10	22.00	22.10
38	18.50	19.60	22.50	22.60
39	19.00	20.10	23.00	23.10
40	19.50	20.60	23.50	23.60
41	20.00	21.10	24.00	24.10
42	20.50	21.60	24.50	24.60
43	21.00	22.10	25.00	25.10
44	21.50	22.60	25.50	25.60
45	22.00	23.10	26.00	26.10
46	22.50	23.60	26.50	26.60
47	23.00	24.10	27.00	27.10
48	23.50	24.60	27.50	27.60
49	24.00	25.10	28.00	28.10
50	24.50	25.60	28.50	28.60
51	25.00	26.10	29.00	29.10
52	25.50	26.60	29.50	29.60
53	26.00	27.10	30.00	30.10
54	26.50	27.60	30.50	30.60
55	27.00	28.10	31.00	31.10
56	27.50	28.60	31.50	31.60
57	28.00	29.10	32.00	32.10
58	28.50	29.60	32.50	32.60
59	29.00	30.10	33.00	33.10
60	29.50	30.60	33.50	33.60

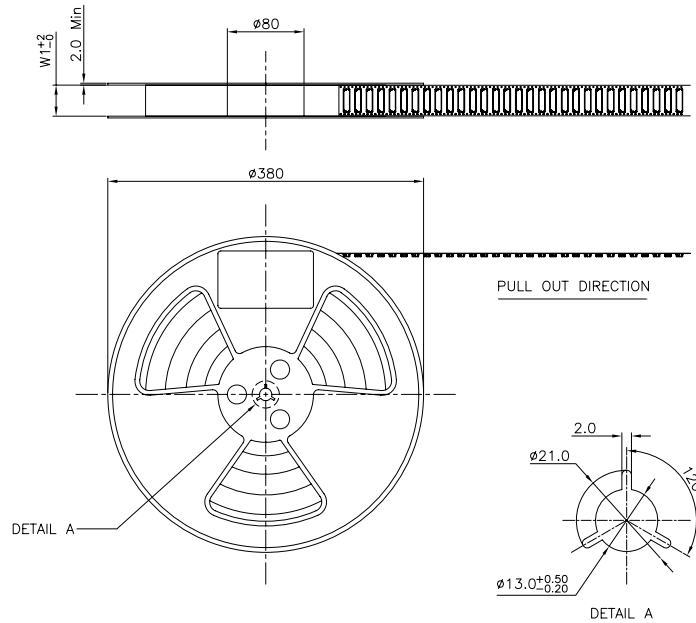


- 40542W90-NPN-S H L xx T C R
- ① Series No.
 - ② W90 :Right angle
 - ③ No. of Circuits
 - ④ Color: N=Natural
 - ⑤ S: SMT type
 - ⑥ H=Halogen Free
 - ⑦ Material: L=LCP
 - ⑧ Plating for contacts:
OA=Gold-flash on contact area
2E=Matte Tin Plating Over Ni
 - ⑨ Plating for solder area:
T=Tin Plating
 - ⑩ Assembly Style
C=Turned up actuator the back
 - ⑪ R=Tape & Reel

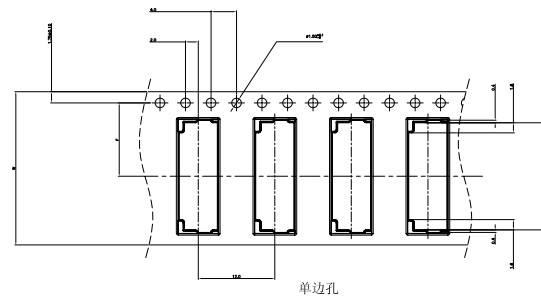
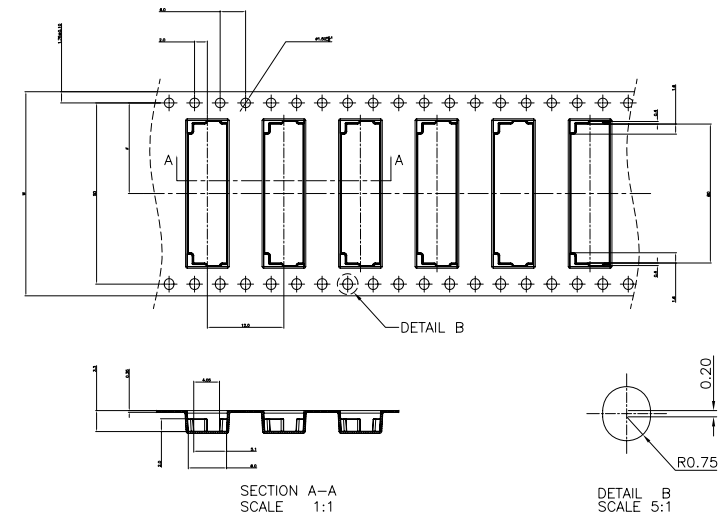
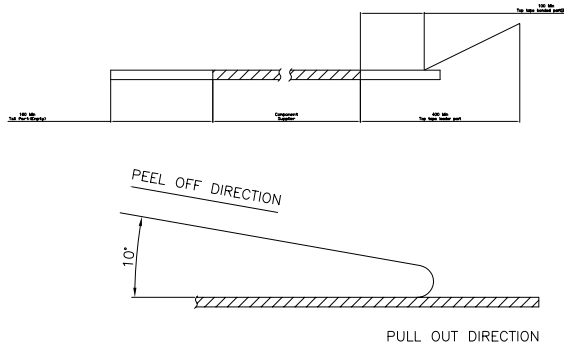
Voltage Rating : 50V AC/DC
 Current Rating : 0.5A AC,DC
 Withstand Voltage : 250V AC/minute
 Contact Resistance : 30mΩ(MAX.)
 Insulation Resistance : 100MΩ(MIN.)
 Temperature Range : -25°C~+85°C

No.	Description	Material	Color/Finish
a	Housing	LCP,UL94V-0	Natural
b	Actuator	LCP,UL94V-0	Black
c	Terminal	Phosphor Bronze	See Note
d	LEG	Phosphor Bronze	Matte Tin Plating Over Ni

A2 20.08.26 更新图框发行 李兴泽 杨章雄		一般公差 GENERAL TOLERANCE		绘图 DR. 程功银	料号 PART NO. 40542W90-NPN-SHLxxTCR		文件编号 NUMBER ENDPT01		 TERMINAL&CONNECTORS			
A1 19.07.18 更新外观结构 李兴泽 杨章雄		X.X ±0.20 X' ±2' X.XX ±0.15 X.X' ±1'		校对 CHK. 李兴泽	品名 TITLE FPC 0.5 Pitch 2.0H ZIF R/A Connector		比例 SCALE 1/1				SHEET 1/1	
A0 17.02.08 新版图面发行 李兴泽 杨章雄		X.XXX ±0.05 ▲ MAJOR DIM.		审核 CHK. 李兴泽			版次 REV. A2					
版次 REV.	日期 DATE	变更内容 DESCRIPTION	审核 CHK.	核准 APPD.	单位 UNIT mm							



- NOTES:
1. 10 SPROCKET HOLE PITCH CUMULATIVE TOLERANCE: ±0.20mm
 2. CARRIER CAMBER NOT TO EXCEED 1mm IN 250mm.
 3. ALL DIMENSIONS MEET EIA-481-C REQUIREMENTS.
 4. MATERIAL: BLACK ANTI-STATIC POLYSTYRENE.
 5. THICKNESS: 0.35 ± 0.05 mm.
 6. PACKING LENGTH PER 15" REEL : 24.60METERS.
 7. COMPONENT LOAD PER 15" REEL : 1500PCS.
 8. PEELING OFF FORCE OF TOP TAPE 0.1N~0.7N(10.2gf~71.4gf).



CKTS	B0±0.10	W	W1	F	S0±0.10
4	5.80	16+0.3/-0	16.4	7.5±0.10	单边孔
5	6.30				
6	6.80				
7	7.30				
8	7.80				
9	8.30				
10	8.80				
11	9.30				
12	9.80				
13	10.30				
14	10.80				
15	11.30				
16	11.80				
17	12.30				
18	12.80				
19	13.30				
20	13.80				
21	14.30				
22	14.80				
23	15.30				
24	15.80				
25	16.30				
26	16.80				
27	17.30				
28	17.80				
29	18.30				
30	18.80				
31	19.30				
32	19.80				
33	20.30				
34	20.80				
35	21.30				
36	21.80				
37	22.30				
38	22.80				
39	23.30				
40	23.80				
41	24.30				
42	24.80				
43	25.30				
44	25.80				
45	26.30				
46	26.80				
47	27.30				
48	27.80				
49	28.30				
50	28.80				
51	29.30				
52	29.80				
53	30.30				
54	30.80				
55	31.30				
56	31.80				
57	32.30				
58	32.80				
59	33.30				
60	33.80				
	32±0.30	32.4	14.2±0.10	28.4	
	44±0.30	44.4	20.2±0.15	40.4	
	56±0.30	56.4	26.2±0.15	52.4	

版次 REV.	日期 DATE	变更内容 DESCRIPTION	审核 CHK.	核准 APPD.
A1	20.08.19	更新图面发行	李兴泽	杨章雄
A0	17.02.08	新版图面发行	李兴泽	杨章雄

一般公差 GENERAL TOLERANCE	
X.X ±0.20	X' ±2'
X.XX ±0.15	X.X' ±1'
X.XXX ±0.05	▲ MAJOR DIM.
单位 UNIT	mm

绘图 DR.	程功银
校对 CHK.	李兴泽
审核 CHK.	李兴泽
核准 APPD.	杨章雄

料号 PART NO.	40542W90-NPN-SHLxxTCR
品名 TITLE	FPC 0.5 Pitch 2.0H ZIF R/A Connector

文件编号 NUMBER	ENDPH02
-------------	---------

 TERMINAL&CONNECTORS		
比例 SCALE	SHEET	版次 REV.
1/1	1/1	A1