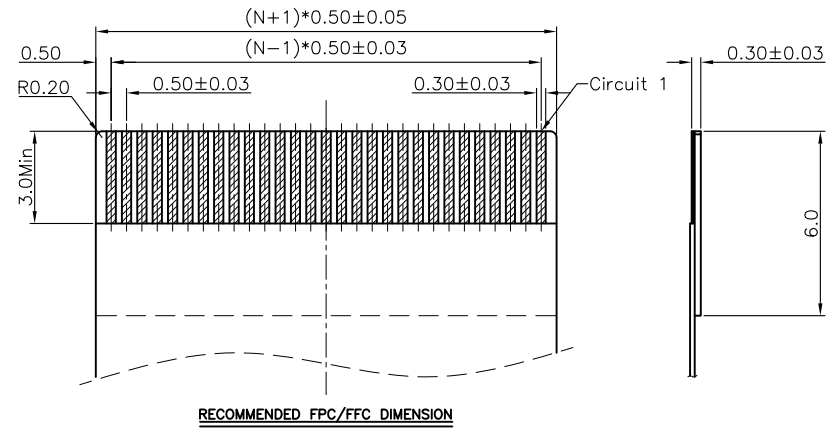
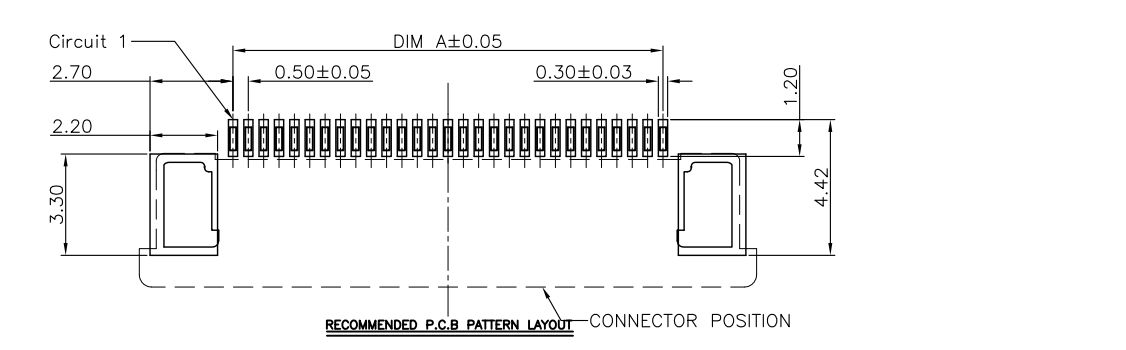
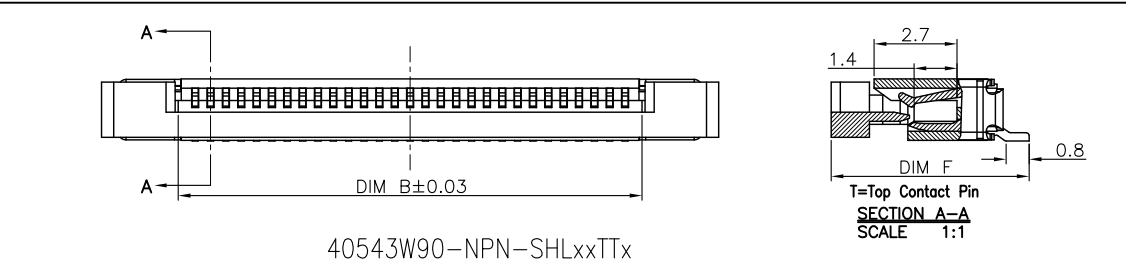
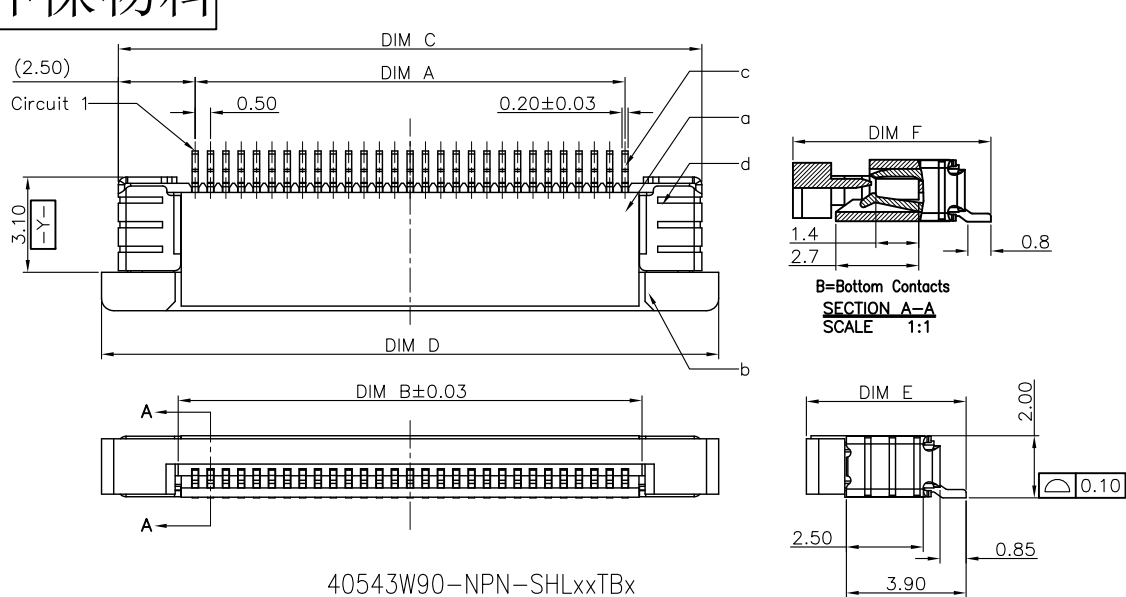


# 环保物料



Voltage Rating : 50V AC/DC  
 Current Rating : 0.5A AC,DC  
 Withstand Voltage : 250V AC/minute  
 Contact Resistance : 30mΩ(MAX.)  
 Insulation Resistance : 100MΩ(MIN.)  
 Temperature Range : -25°C~+85°C

**40543W90-NPN-S H L xx T x x**  
 ① ② ③ ④ ⑤ ⑥ ⑦ ⑧ ⑨ ⑩ ⑪

- ① Series No.
- ② W90 :Right angle
- ③ No. of Circuits
- ④ Color: N=Natural
- ⑤ S: SMT type
- ⑥ H=Halogen Free
- ⑦ Material: L=LCP
- ⑧ Plating for contacts:  
 2E=Matte Tin-plated  
 0A=Gold-flash on contact area
- ⑨ Plating for solder area:  
 T=Matte Tin-plating
- ⑩ Assembly Style  
 B=Bottom Contacts  
 T=Top Contact Pin
- ⑪ R=Tape & Reel  
 T=Tube Packing

CRTS	DIM A	DIM B	DIM C	DIM D	DIM E	DIM F	CRTS	DIM A	DIM B	DIM C	DIM D	DIM E	DIM F
4	1.50	2.60	6.50	7.60			35	17.50	18.10	22.00	23.10		
5	2.00	3.10	7.00	8.10			36	17.50	18.60	22.50	23.60		
6	2.50	3.60	7.50	8.60			37	18.00	19.10	23.00	24.10		
7	3.00	4.10	8.00	9.10			38	18.50	19.60	23.50	24.60		
8	3.50	4.60	8.50	9.60			39	19.00	20.10	24.00	25.10		
9	4.00	5.10	9.00	10.10			40	19.50	20.60	24.50	25.60		
10	4.50	5.60	9.50	10.60			41	20.00	21.10	25.00	26.10		
11	5.00	6.10	10.00	11.10			42	20.50	21.60	25.50	26.60		
12	5.50	6.60	10.50	11.60			43	21.00	22.10	26.00	27.10		
13	6.00	7.10	11.00	12.10			44	21.50	22.60	26.50	27.60		
14	6.50	7.60	11.50	12.60			45	22.00	23.10	27.00	28.10		
15	7.00	8.10	12.00	13.10			46	22.50	23.60	27.50	28.60		
16	7.50	8.60	12.50	13.60			47	23.00	24.10	28.00	29.10		
17	8.00	9.10	13.00	14.10			48	23.50	24.60	28.50	29.60	5.75	7.00
18	8.50	9.60	13.50	14.60			49	24.00	25.10	29.00	30.10		
19	9.00	10.10	14.00	15.10		5.20	50	24.50	25.60	29.50	30.60	6.45	
20	9.50	10.60	14.50	15.60			51	25.00	26.10	30.00	31.10		
21	10.00	11.10	15.00	16.10			52	25.50	26.60	30.50	31.60		
22	10.50	11.60	15.50	16.60			53	26.00	27.10	31.00	32.10		
23	11.00	12.10	16.00	17.10			54	26.50	27.60	31.50	32.60		
24	11.50	12.60	16.50	17.60			55	27.00	28.10	32.00	33.10		
25	12.00	13.10	17.00	18.10			56	27.50	28.60	32.50	33.60		
26	12.50	13.60	17.50	18.60			57	28.00	29.10	33.00	34.10		
27	13.00	14.10	18.00	19.10			58	28.50	29.60	33.50	34.60		
28	13.50	14.60	18.50	19.60			59	29.00	30.10	34.00	35.10		
29	14.00	15.10	19.00	20.10			60	29.50	30.60	34.50	35.60		
30	14.50	15.60	19.50	20.60									
31	15.00	16.10	20.00	21.10									
32	15.50	16.60	20.50	21.60									
33	16.00	17.10	21.00	22.10									
34	16.50	17.60	21.50	22.60									

No.	Description	Material	Color/Finish
a	Housing	LCP D-301F	Natural
b	Actuator	LCP M-401	Black
c	Terminal	Phosphor Bronze	Matte Tin/Gold Flash
d	LEG	Phosphor Bronze	Matte Tin Plating Over Ni

一般公差 GENERAL TOLERANCE					绘图 DR.	程功银	料号 PART NO.		文件编号 NUMBER	
X.X	±0.25	X'	±2'		校对	李兴泽	40543W90-18PN-SHL2ETxR		ENDE05	
X.XX	±0.15	X.X'	±1'		审核	李兴泽	品名 TITLE		FPC 0.5 Pitch 2.0H ZIF Connector	
X.XXX	±0.08	△	MAJOR DIM.		核准	杨章雄			比例 SCALE	
单位 UNIT	mm				APPD.				SHEET	
版次 REV.	日期 DATE	变更内容 DESCRIPTION	审核 CHK.	核准 APPD.					版次 REV.	

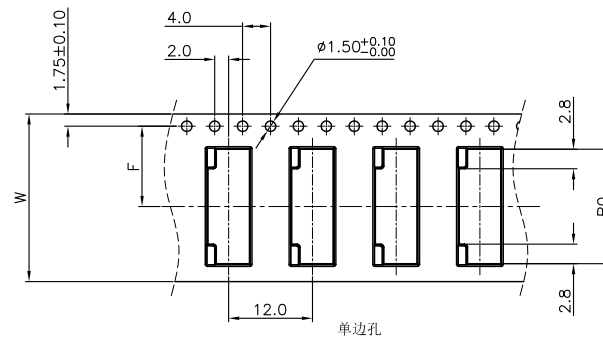
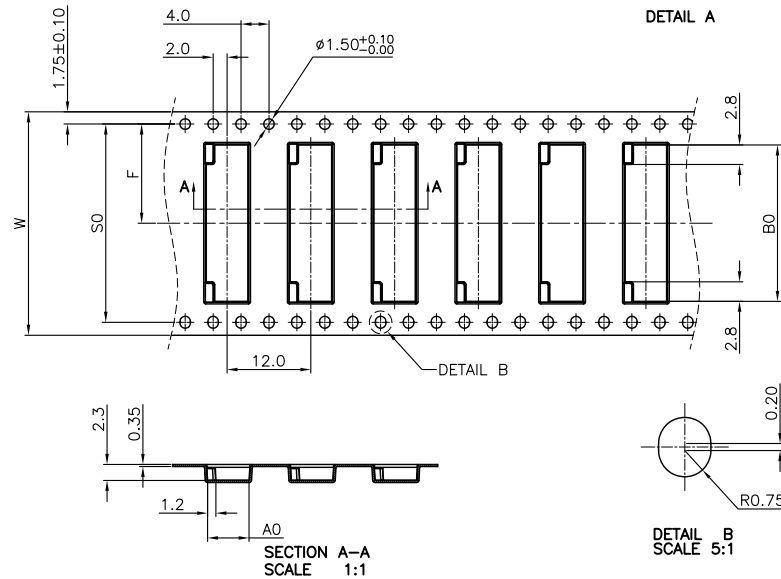
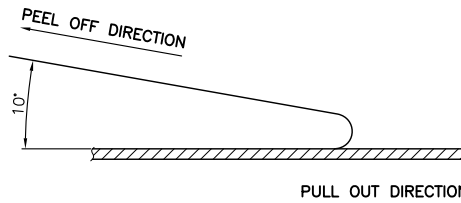
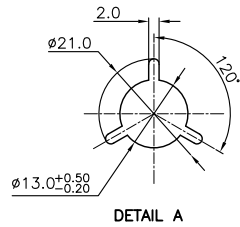
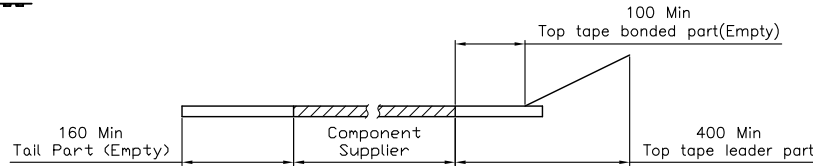
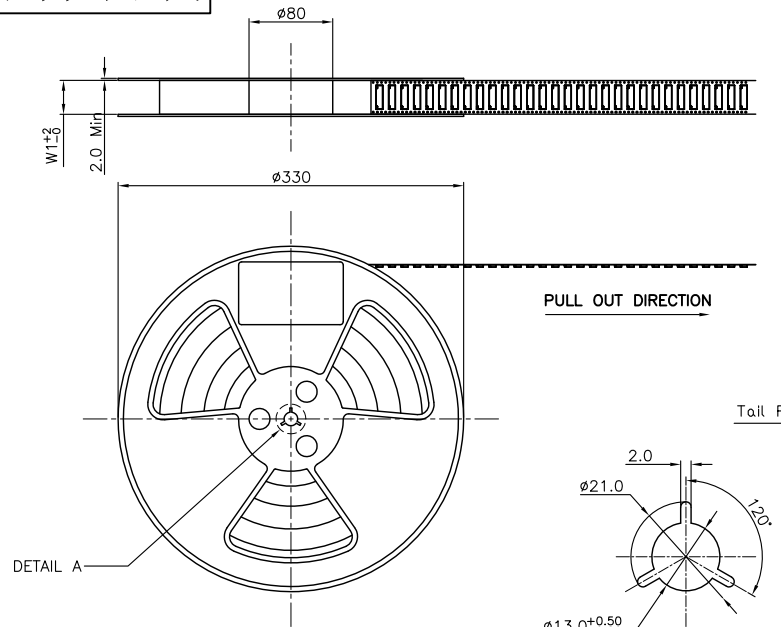


比例 SCALE 1/1  
 SHEET 1/1  
 版次 REV. A1

# 环保物料

## NOTES:

1. 10 SPROCKET HOLE PITCH CUMULATIVE TOLERANCE.  $\pm 0.20\text{mm}$
2. CARRIER CAMBER NOT TO EXCEED 1mm IN 250mm.
3. ALL DIMENSIONS MEET EIA-481-C REQUIREMENTS.
4. MATERIAL: BLACK ANTI-STATIC POLYSTYRENE.
5. THICKNESS:  $0.35 \pm 0.05 \text{ mm}$ .
6. PACKING LENGTH PER 13" REEL : 24.60 METERS.
7. COMPONENT LOAD PER 13" REEL : 2000PCS.
8. PEELING OFF FORCE OF TOP TAPE  $0.1\text{N} \sim 0.7\text{N} (10.2\text{gf} \sim 100\text{gf})$ .



CKTS	B0±0.10	A0±0.10	W	W1	F	S0±0.10
4	7.90					
5	8.40					
6	8.90		16±0.3/-0	16.4	7.5±0.10	
7	9.40					
8	9.90					
9	10.40					
10	10.90					
11	11.40					
12	11.90					
13	12.40					
14	12.90					
15	13.40					
16	13.90		24±0.3/-0	24.4	11.5±0.10	
17	14.40					
18	14.90					
19	15.40	5.95				
20	15.90					
21	16.40					
22	16.90					
23	17.40					
24	17.90					
25	18.40					
26	18.90					
27	19.40					
28	19.90		32±0.30	32.4	14.2±0.10	28.4
29	20.40					
30	20.90					
31	21.40					
32	21.90					
33	22.40					
34	22.90					
35	23.40					
36	23.90					
37	24.40					
38	24.90					
39	25.40					
40	25.90					
41	26.40					
42	26.90					
43	27.40					
44	27.90					
45	28.40		41±0.30	41.4	20.2±0.15	40.4
46	28.90					
47	29.40					
48	29.90	6.50				
49	30.40					
50	30.90					
51	31.40					
52	31.90					
53	32.40					
54	32.90					
55	33.40					
56	33.90					
57	34.40					
58	34.90					
59	35.40		56±0.30	56.4	26.2±0.15	52.4
60	35.90					

A0		17.02.08	换图框发行	李兴泽	一般公差 GENERAL TOLERANCE		绘图 DR. 李兴泽	料号 PART NO. 40543W90-NPN-SHLxxTxR	文件编号 NUMBER ENDE05	 TERMINAL&CONNECTORS
版次 REV.	日期 DATE	变更内容 DESCRIPTION	审核 CHK.	核准 APPD.	X.X ±0.25	X' ±2'	校对 CHK.	品名 TITLE	比例 SCALE	
					X.XX ±0.15	X.X' ±1'	审核 CHK.	FPC 0.5 Pitch 2.0H ZIF Connector	1/1	版次 REV. A0
					X.XXX ±0.08	△ MAJOR DIM.	核准 APPD.			