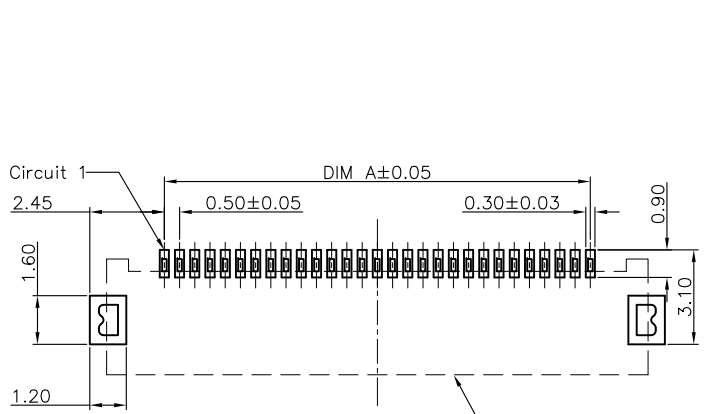
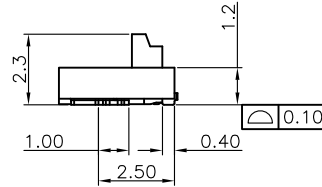
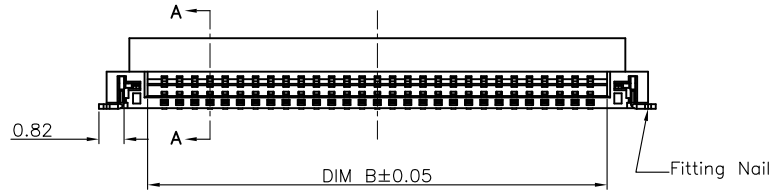
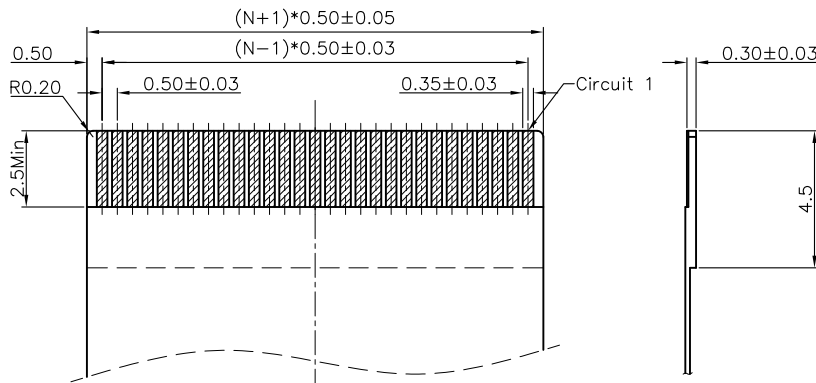


SECTION A-A
SCALE 1:1



RECOMMENDED P.C.B. PATTERN LAYOUT



RECOMMENDED FPC/FFC DIMENSION

Voltage Rating : 50V AC/DC
 Current Rating : 0.5A AC,DC
 Withstand Voltage : 250V AC/minute
 Contact Resistance : 30mΩ(MAX.)
 Insulation Resistance : 100MΩ(MIN.)
 Temperature Range : -25°C~+85°C

40553W90-NPN-S H L OA T C R
 ① ② ③ ④ ⑤ ⑥ ⑦ ⑧ ⑨ ⑩ ⑪

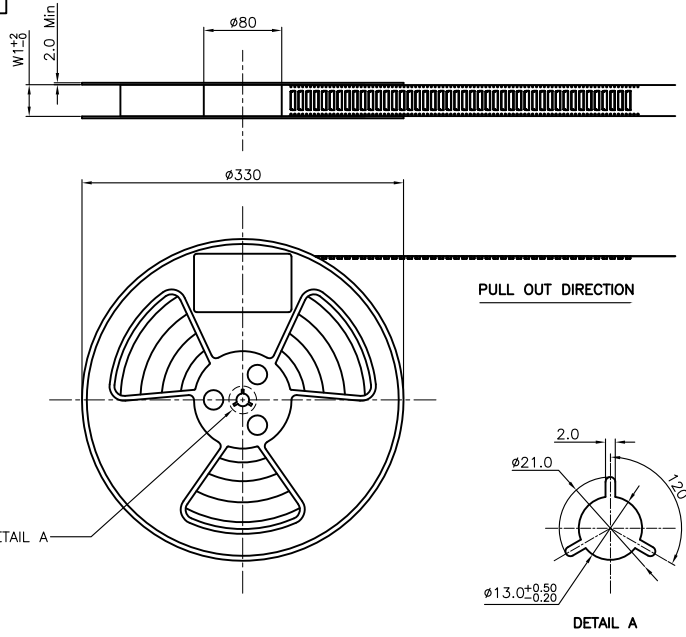
- ① Series No.
- ② W90 :Right angle
- ③ No. of Circuits
- ④ Color: N=Natural
- ⑤ S: SMT type
- ⑥ H=Halogen Free
- ⑦ Material: L=LCP
- ⑧ Plating for contacts:
 2E=Matte Tin-plated
 OA=Gold-flash on contact area
- ⑨ Plating for solder area:
 T=Tin Plating
- ⑩ Assembly Style
 C=Turned up actuator the back
- ⑪ R=Tape & Reel

CKTS	DIM A	DIM B	DIM C	DIM D
4	1.50	2.60	5.80	5.30
5	2.00	3.10	6.30	5.80
6	2.50	3.60	6.80	6.30
7	3.00	4.10	7.30	6.80
8	3.50	4.60	7.80	7.30
9	4.00	5.10	8.30	7.80
10	4.50	5.60	8.80	8.30
11	5.00	6.10	9.30	8.80
12	5.50	6.60	9.80	9.30
13	6.00	7.10	10.30	9.80
14	6.50	7.60	10.80	10.30
15	7.00	8.10	11.30	10.80
16	7.50	8.60	11.80	11.30
17	8.00	9.10	12.30	11.80
18	8.50	9.60	12.80	12.30
19	9.00	10.10	13.30	12.80
20	9.50	10.60	13.80	13.30
21	10.00	11.10	14.30	13.80
22	10.50	11.60	14.80	14.30
23	11.00	12.10	15.30	14.80
24	11.50	12.60	15.80	15.30
25	12.00	13.10	16.30	15.80
26	12.50	13.60	16.80	16.30
27	13.00	14.10	17.30	16.80
28	13.50	14.60	17.80	17.30
29	14.00	15.10	18.30	17.80
30	14.50	15.60	18.80	18.30
31	15.00	16.10	19.30	18.80
32	15.50	16.60	19.80	19.30
33	16.00	17.10	20.30	19.80
34	16.50	17.60	20.80	20.30
35	17.00	18.10	21.30	20.80
36	17.50	18.60	21.80	21.30
37	18.00	19.10	22.30	21.80
38	18.50	19.60	22.80	22.30
39	19.00	20.10	23.30	22.80
40	19.50	20.60	23.80	23.30
41	20.00	21.10	24.30	23.80
42	20.50	21.60	24.80	24.30
43	21.00	22.10	25.30	24.80
44	21.50	22.60	25.80	25.30
45	22.00	23.10	26.30	25.80
46	22.50	23.60	26.80	26.30
47	23.00	24.10	27.30	26.80
48	23.50	24.60	27.80	27.30
49	24.00	25.10	28.30	27.80
50	24.50	25.60	28.80	28.30
51	25.00	26.10	29.30	28.80
52	25.50	26.60	29.80	29.30
53	26.00	27.10	30.30	29.80
54	26.50	27.60	30.80	30.30
55	27.00	28.10	31.30	30.80
56	27.50	28.60	31.80	31.30
57	28.00	29.10	32.30	31.80
58	28.50	29.60	32.80	32.30
59	29.00	30.10	33.30	32.80
60	29.50	30.60	33.80	33.30

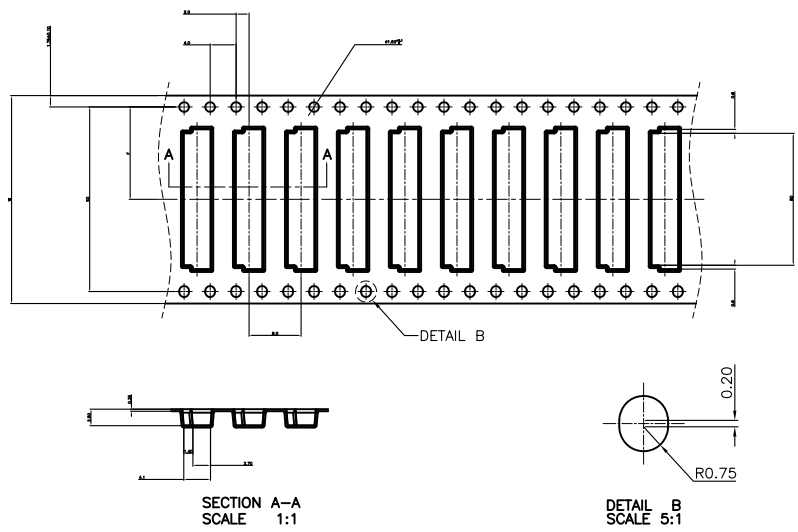
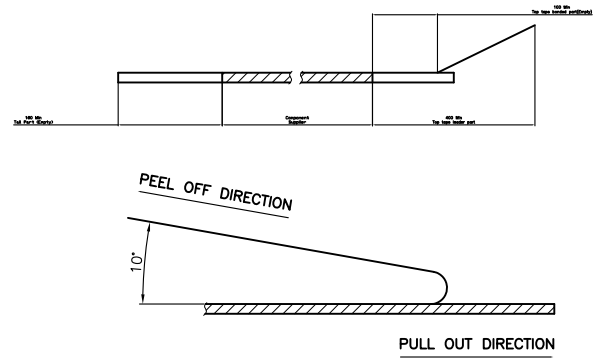
No.	Description	Material	Color/Finish
a	Housing	LCP,UL94V-0	Natural
b	Actuator	LCP,UL94V-0	Black
c	Terminal	Phosphor Bronze	Matte Tin-plated/Gold Flash
d	LEG	Phosphor Bronze	Matte Tin Plating Over Ni

					一般公差 GENERAL TOLERANCE		绘图 DR. 程功银		料号 PART NO. 40553W90-NPN-SHLxxTCR		文件编号 NUMBER ENDPH02		 TERMINAL&CONNECTORS				
A1		20.08.26		更新图框发行		李兴泽 杨章雄		校对 CHK. 李兴泽		品名 TITLE FPC 0.5 Pitch 1.2H ZIF R/A Connector		比例 SCALE 1/1			SHEET 1/1		版次 REV. A1
A0		18.02.08		新版图面发行		李兴泽 杨章雄		审核 CHK. 李兴泽				核准 APPD. 杨章雄					
版次 REV.		日期 DATE		变更内容 DESCRIPTION		审核 CHK.		核准 APPD.									

环保物料



- NOTES:
1. 10 SPROCKET HOLE PITCH CUMULATIVE TOLERANCE $\pm 0.20\text{mm}$
 2. CARRIER CAMBER NOT TO EXCEED 1mm IN 250mm.
 3. ALL DIMENSIONS MEET EIA-481-C REQUIREMENTS.
 4. MATERIAL: BLACK ANTI-STATIC POLYSTYRENE.
 5. THICKNESS: $0.35 \pm 0.05\text{mm}$.
 6. PACKING LENGTH PER 13" REEL: 24.60METERS.
 7. COMPONENT LOAD PER 13" REEL: 3000PCS
 8. PEELING OFF FORCE OF TOP TAPE 0.1N~0.7N(10.2gf~71.4gf).



CKTS	B0±0.10	W	W1	F	S0±0.10
4	5.30	16+0.3/-0	16.4	7.5±0.10	单边孔
5	5.80				
6	6.30				
7	6.80				
8	7.30				
9	7.80				
10	8.30				
11	8.80				
12	9.30				
13	9.80				
14	10.30	24+0.3/-0	24.4	11.5	单边孔
15	10.80				
16	11.30				
17	11.80				
18	12.30				
19	12.80				
20	13.30				
21	13.80				
22	14.30				
23	14.80				
24	15.30	32±0.30	32.4	14.2±0.10	28.4
25	15.80				
26	16.30				
27	16.80				
28	17.30				
29	17.80				
30	18.30				
31	18.80				
32	19.30				
33	19.80				
34	20.30	44±0.30	44.4	20.2±0.15	40.4
35	20.80				
36	21.30				
37	21.80				
38	22.30				
39	22.80				
40	23.30				
41	23.80				
42	24.30				
43	24.80				
44	25.30	56±0.30	56.4	26.2±0.15	52.4
45	25.80				
46	26.30				
47	26.80				
48	27.30				
49	27.80				
50	28.30				
51	28.80				
52	29.30				
53	29.80				
54	30.30				
55	30.80				
56	31.30				
57	31.80				
58	32.30				
59	32.80				
60	33.30				

		一般公差 GENERAL TOLERANCE		绘图 DR.	程功银	胜蓝科技股份有限公司 TERMINAL&CONNECTORS 东莞市富智达电子科技有限公司	料号 PART NO.		
		X.X ±0.25	X' ±5'	校对 CHK.	李兴泽		40553W90-NPN-SHLxxTCR		
		X.XX ±0.15	X.X' ±2'	审核 CHK.	李兴泽	文件编号 NUMBER			
		X.XXX ±0.08	▲ MAJOR DIM.	核准 APPD.	杨章雄	ENDE05			
版次 REV.	日期 DATE	变更内容 DESCRIPTION	审核 CHK.	核准 APPD.	品名 TITLE		比例 SCALE	SHEET	版次 REV.
A0	17.02.08	新版图面发行	李兴泽		FPC 0.5 Pitch 1.2H ZIF R/A Connector		1/1	1/1	A0