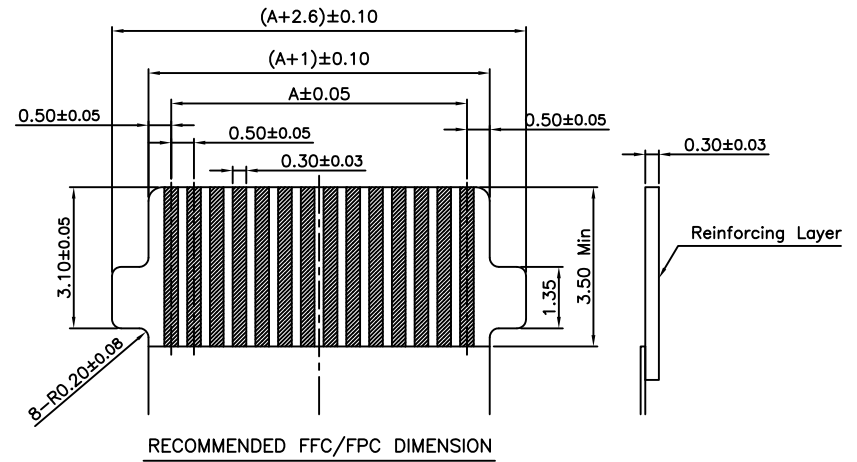
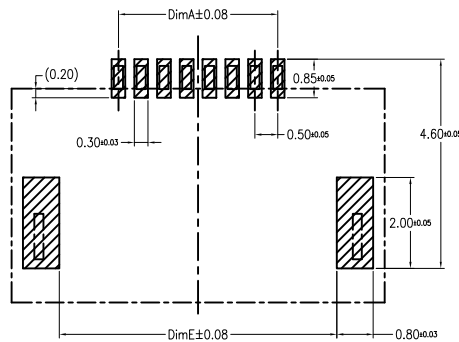
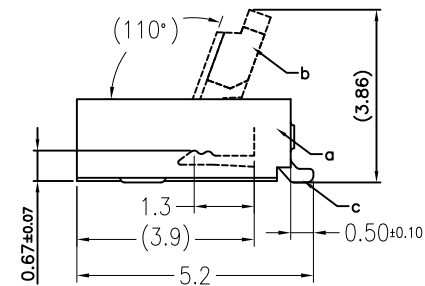
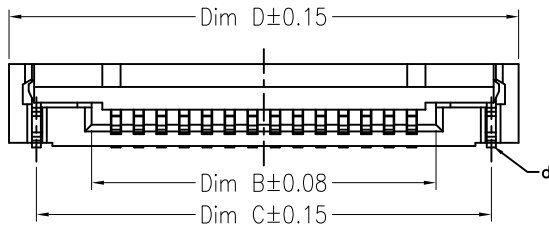
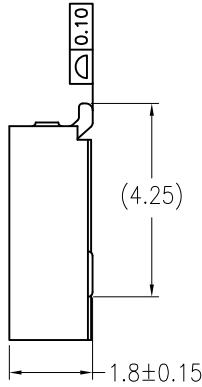
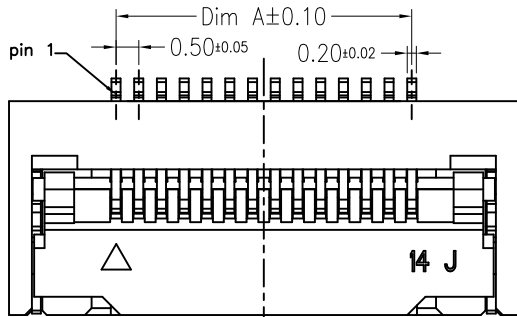
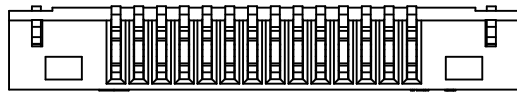


环保物料



40559W90-NPN-S H L xx T B R
① ② ③④⑤⑥⑦⑧⑨⑩⑪

Voltage Rating : 50V AC/DC
Current Rating : 0.5A AC,DC
Withstand Voltage : 500V AC/minute
Contact Resistance : 30mΩ(MAX.)
Insulation Resistance : 100MΩ(MIN.)
Temperature Range : -25°C~+85°C

- ① Series No.
- ② W90 :Right angle
- ③ No. of Circuits
- ④ Color: N=Natural
- ⑤ S: SMT type
- ⑥ H=HF
- ⑦ Material: L=LCP
- ⑧ Plating for contacts:
2E=Matte Tin-plated contact area
OA=Gold/Flash-plated contact area
EA=Gold plated 15U" contact area
- ⑨ Plating for solder area:
T=Matte Tin-plated
- ⑩ Assembly Style
B=Bottom Contacts
- ⑪ R=Reel Backing

PART NO.	Dimensions				
	A	B	C	D	E
4P	1.5	2.57	5.0	6.2	4.1
5P	2.0	3.07	5.5	6.7	4.6
6P	2.5	3.57	6.0	7.2	5.1
7P	3.0	4.07	6.5	7.7	5.6
8P	3.5	4.57	7.0	8.2	6.1
9P	4.0	5.07	7.5	8.7	6.6
10P	4.5	5.57	8.0	9.2	7.1
11P	5.0	6.07	8.5	9.7	7.6
12P	5.5	6.57	9.0	10.2	8.1
13P	6.0	7.07	9.5	10.7	8.6
14P	6.5	7.57	10.0	11.2	9.1
15P	7.0	8.07	10.5	11.7	9.6
16P	7.5	8.57	11.0	12.2	10.1
17P	8.0	9.07	11.5	12.7	10.6
18P	8.5	9.57	12.0	13.2	11.1
19P	9.0	10.07	12.5	13.7	11.6
20P	9.5	10.57	13.0	14.2	12.1
21P	10.0	11.07	13.5	14.7	12.6
22P	10.5	11.57	14.0	15.2	13.1
23P	11.0	12.07	14.5	15.7	13.6
24P	11.5	12.57	15.0	16.2	14.1
25P	12.0	13.07	15.5	16.7	14.6
26P	12.5	13.57	16.0	17.2	15.1
27P	13.0	14.07	16.5	17.7	15.6
28P	13.5	14.57	17.0	18.2	16.1
29P	14.0	15.07	17.5	18.7	16.6
30P	14.5	15.57	18.0	19.2	17.1
34P	16.5	17.57	20.0	21.2	19.1
44P	21.5	22.57	25.00	26.2	24.1

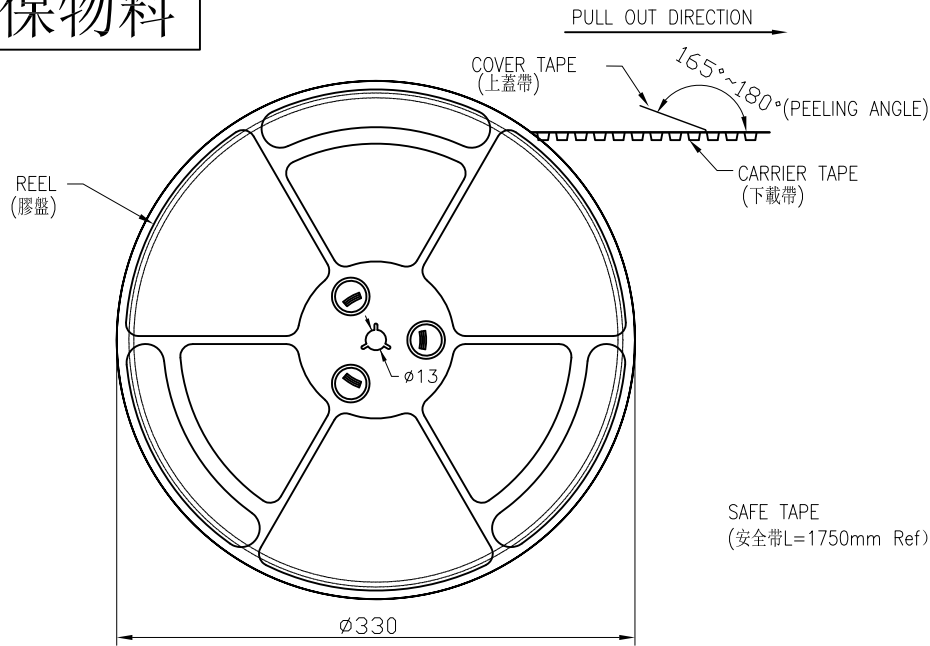
No.	Description	Material	Color/Finish
a	Housing	LCP,UL94V-0	Natural
b	Actuator	LCP,UL94V-0	Black
c	Terminal	Phosphor Bronze	See Notes
d	LEG	Copper Alloy	Matte Tin Plating Over Ni

版次REV.	日期 DATE	变更内容 DESCRIPTION	审核 CHK.	核准 APPD.	单位 UNIT	mm
A3	20.08.21	更新图框发行	李兴译	杨章雄	一般公差 GENERAL TOLERANCE X.X ±0.20 X' ±2' X.XX ±0.15 X.X' ±1' X.XXX ±0.05 ▲ MAJOR DIM. 	mm
A2	19.07.10	修改总长公差	李兴译	杨章雄		
A1	17.01.03	变更公司抬头发行	李兴译	杨章雄		
A0	13.12.13	新图面发行	李兴译	杨章雄		

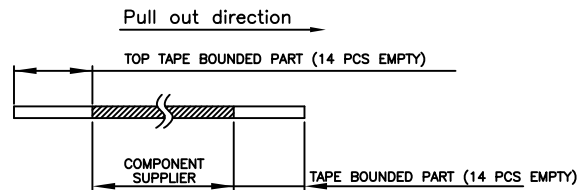
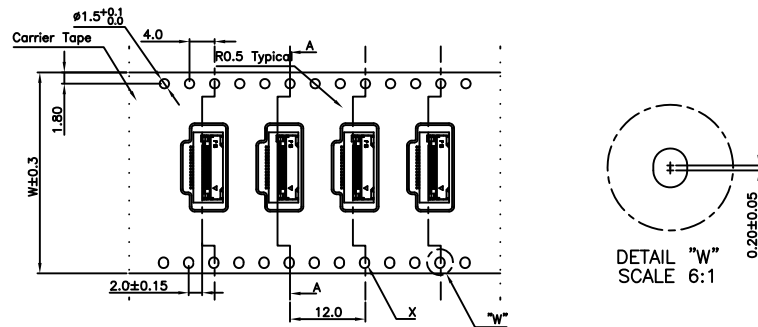
料号 PART NO.	文件编号 NUMBER
40559W90-NPN-SHLxxTBR	ENDPT01
品名 TITLE	
FPC 0.5 Pitch 1.8H ZIF R/A Connector	

JCTC ®		
TERMINAL&CONNECTORS		
比例 SCALE	SHEET	版次 REV.
1/1	1/2	A3

环保物料



SCALE 1:4



Notes:

- sprocket hole pitch cumulative tolerance ± 0.2
- Camber not to exceed 1mm in 100mm.
- A0 and B0 measured on a plane 0.3mm above the bottom of the pocket.
- K0 measured from a plane on the inside bottom of the pocket to the top surface of the carrier.
- Pocket position relative to sprocket hole measured as true position of pocket, not pocket hole.
- Electrostatic treatment.
- Lead tape length: 400 mm Min.
- Material of carrier tape: Polystyrene.
- Material of top tape: PET, PE, PEF.
- Material of reel: Polystyrene. (Recycle material contained)
- Peeling off force of top tape: 40~100gf
Total stroke: 300mm, Speed 10mm/sec
Peel off should not be allowed, during contained.
- Moisture Sensitivity Level MSL-1

PIN NO.	W	H	PCS /REEL
04PIN~09PIN	16	22.4Max	2000
10PIN~24PIN	24	30.4Max	2000
25PIN~32PIN	32	38.4Max	2000
33PIN~56PIN	44	50.4Max	2000
57Pin~60PIN	56	62.4Max	2000

注：当料带为24mm宽时，只有一边孔 即没有“X”边孔

版次 REV.	日期 DATE	变更内容 DESCRIPTION	审核 CHK.	核准 APPD.	单位 UNIT	一般公差 GENERAL TOLERANCE	绘图 DR.	料号 PART NO.	文件编号 NUMBER	JCTC® TERMINAL & CONNECTORS		
A2	20.08.21	更新图框发行	李兴泽	杨章雄	mm	X.X ±0.20 X.XX ±0.15 X.XXX ±0.05	程功银	40559W90-NPN-SHLxxTBR	ENDPT01	比例 SCALE	SHEET	版次 REV.
A1	17.01.03	变更公司抬头发行	李兴泽	杨章雄		X* ±2* X.X* ±1* ▲ MAJOR DIM.	校对 CHK.			1/1	2/2	A2
A0	13.12.13	新图面发行	李兴泽	杨章雄			审核 CHK.	品名 TITLE	FPC 0.5 Pitch 1.8H ZIF R/A Connector			
							核准 APPD.					