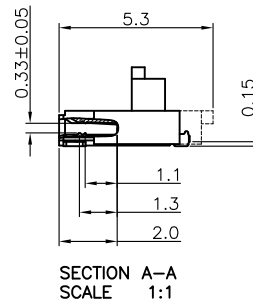
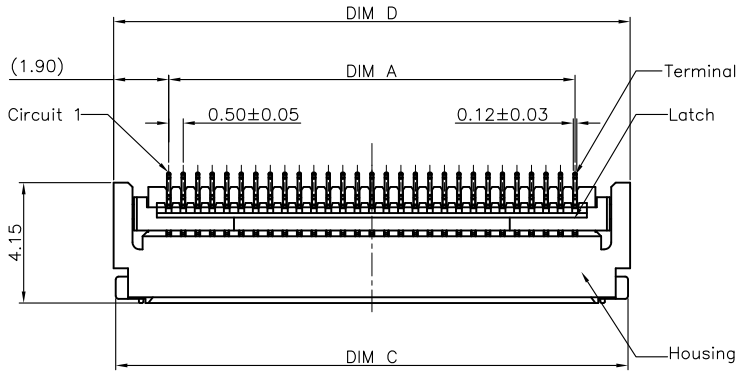


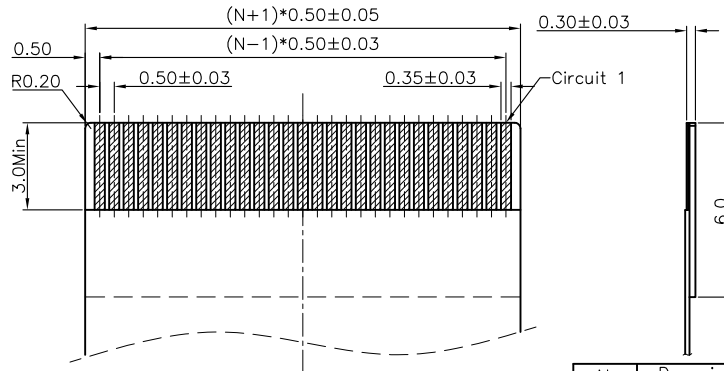
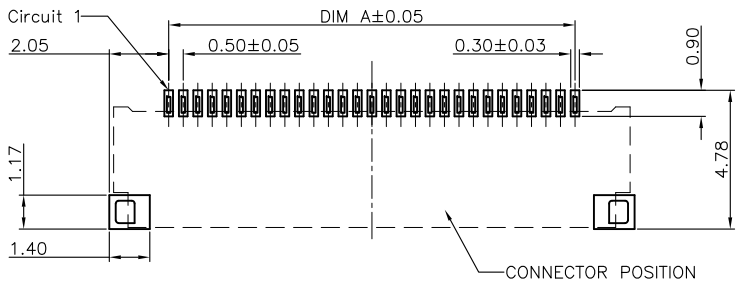
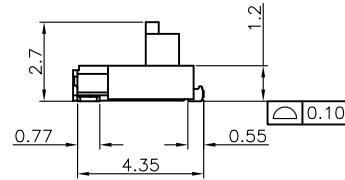
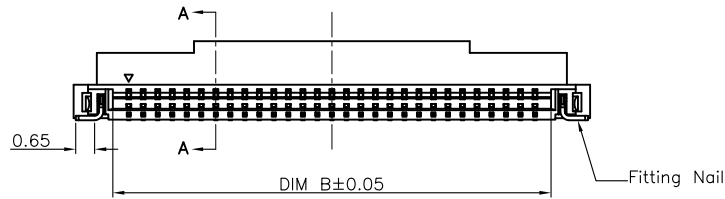
Voltage Rating : 50V AC/DC
 Current Rating : 0.5A AC,DC
 Withstand Voltage : 250V AC/minute
 Contact Resistance : 30mΩ(MAX.)
 Insulation Resistance : 100MΩ(MIN.)
 Temperature Range : -25°C~+85°C



40563W90-NPN-S H L OA T C R
 ① ② ③ ④ ⑤ ⑥ ⑦ ⑧ ⑨ ⑩ ⑪

- ① Series No.
- ② W90 :Right angle
- ③ No. of Circuits
- ④ Color: N=Natural
- ⑤ S: SMT type
- ⑥ H=Halogen Free
- ⑦ Material: L=LCP
- ⑧ Plating for contacts:
OA=Gold-flash on contact area
- ⑨ Plating for solder area:
T=Tin Plating
- ⑩ Assembly Style
C=Turned up actuator the back
- ⑪ R=Tape & Reel

CKTS	DIM A	DIM B	DIM C	DIM D
4	1.50	2.60	5.15	5.30
5	2.00	3.10	5.65	5.80
6	2.50	3.60	6.15	6.30
7	3.00	4.10	6.65	6.80
8	3.50	4.60	7.15	7.30
9	4.00	5.10	7.65	7.80
10	4.50	5.60	8.15	8.30
11	5.00	6.10	8.65	8.80
12	5.50	6.60	9.15	9.30
13	6.00	7.10	9.65	9.80
14	6.50	7.60	10.15	10.30
15	7.00	8.10	10.65	10.80
16	7.50	8.60	11.15	11.30
17	8.00	9.10	11.65	11.80
18	8.50	9.60	12.15	12.30
19	9.00	10.10	12.65	12.80
20	9.50	10.60	13.15	13.30
21	10.00	11.10	13.65	13.80
22	10.50	11.60	14.15	14.30
23	11.00	12.10	14.65	14.80
24	11.50	12.60	15.15	15.30
25	12.00	13.10	15.65	15.80
26	12.50	13.60	16.15	16.30
27	13.00	14.10	16.65	16.80
28	13.50	14.60	17.15	17.30
29	14.00	15.10	17.65	17.80
30	14.50	15.60	18.15	18.30
31	15.00	16.10	18.65	18.80
32	15.50	16.60	19.15	19.30
33	16.00	17.10	19.65	19.80
34	16.50	17.60	20.15	20.30
35	17.00	18.10	20.65	20.80
36	17.50	18.60	21.15	21.30
37	18.00	19.10	21.65	21.80
38	18.50	19.60	22.15	22.30
39	19.00	20.10	22.65	22.80
40	19.50	20.60	23.15	23.30
41	20.00	21.10	23.65	23.80
42	20.50	21.60	24.15	24.30
43	21.00	22.10	24.65	24.80
44	21.50	22.60	25.15	25.30
45	22.00	23.10	25.65	25.80
46	22.50	23.60	26.15	26.30
47	23.00	24.10	26.65	26.80
48	23.50	24.60	27.15	27.30
49	24.00	25.10	27.65	27.80
50	24.50	25.60	28.15	28.30
51	25.00	26.10	28.65	28.80
52	25.50	26.60	29.15	29.30
53	26.00	27.10	29.65	29.80
54	26.50	27.60	30.15	30.30
55	27.00	28.10	30.65	30.80
56	27.50	28.60	31.15	31.30
57	28.00	29.10	31.65	31.80
58	28.50	29.60	32.15	32.30
59	29.00	30.10	32.65	32.80
60	29.50	30.60	33.15	33.30



RECOMMENDED P.C.B PATTERN LAYOUT

RECOMMENDED FPC/FFC DIMENSION

No.	Description	Material	Color/Finish
a	Housing	LCP,UL94V-0	Natural
b	Actuator	PA10T,UL94V-0	Black
c	Terminal	Copper alloy	Gold Flash
d	LEG	Copper alloy	Matte Tin Plating Over Ni

A		B		C		D		E		F	
8				一般公差 GENERAL TOLERANCE	绘图 DR.	程功银	料号 PART NO.	文件编号 NUMBER	 TERMINAL&CONNECTORS		
	A1	20.08.26	更新图框发行	李兴泽	杨章雄	李兴泽	40563W90-NPN-SHLxxTCR	ENDPT01			
	A0	18.04.19	新图面发行	李兴泽	杨章雄	李兴泽	品名TITLE		比例 SCALE 1/1 SHEET 1/1 版次 REV. A1		
	版次 REV.	日期 DATE	变更内容 DESCRIPTION	审核 CHK.	核准 APPD.	杨章雄	0.5Pitch H=1.2 FPC R/A SMT CONN				

