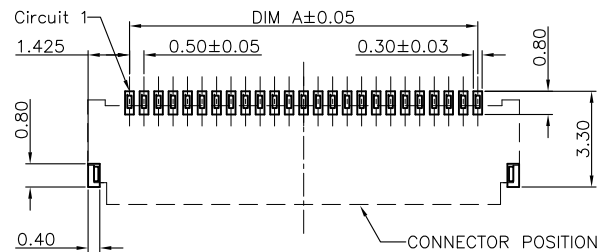
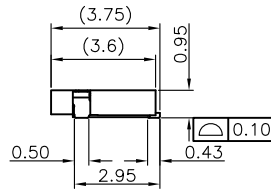
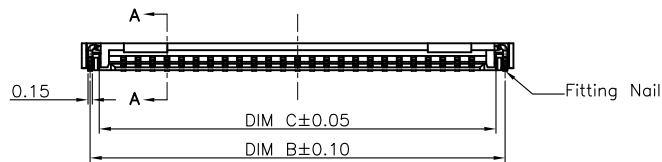
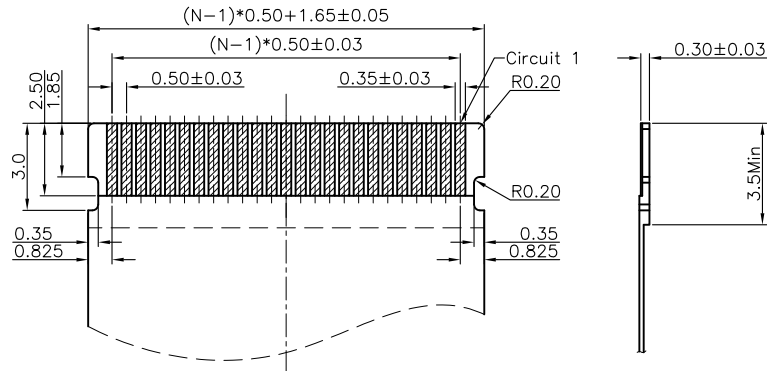


SECTION A-A  
SCALE 1:1



RECOMMENDED P.C.B. PATTERN LAYOUT



RECOMMENDED FPC/FFC DIMENSION

**Note:**

**1. Material:**

1.1 Housing: thermoplastic high temp.UL94V-0; Color: Natural.

1.2 Latch: thermoplastic high temp.UL94V-0; Color: Black.

1.3 Terminal: copper alloy.

1.4 Fitting Nail: copper alloy.

**2. Finish:**

**2.1 Terminal:**

Underplating: Au/matt Tin overall.

**2.2 Fitting Nail:**

Underplating: matt Tin overall.

**3. Product must comply HF RoHS specification.**

Voltage Rating : 50V AC/DC

Current Rating : 0.5A AC,DC

Withstand Voltage : 250V AC/minute

Contact Resistance : 30mΩ(MAX.)

Insulation Resistance : 100MΩ(MIN.)

Temperature Range : -25°C~+85°C

Product No:

40593W90-NPN-S R x xx T B R  
① ② ③④⑤⑥⑦⑧⑨⑩⑪

① Series No.

② W90 :Riht angle

③ No. of Circuits

④ Color: N=Natural

⑤ S=SMT

⑥ R=RoHS

⑦ Material:L=LCP S=SSP

4=NY46 6=NY6T

⑧ Plating for contacts:

2E=Matte Tin-plated/Tin-plated

0A=Gold-flash All Terminal area

⑨ Plating for solder area:

T=Tin-Plating

⑩ Assembly Style

B=Bottom Contacts

⑪ R=Tape & Reel

T=Tube Backing

CKTS	DIM A	DIM B	DIM C	DIM D
04	1.50	3.80	3.17	4.37
05	2.00	4.30	3.67	4.87
06	2.50	4.80	4.17	5.37
07	3.00	5.30	4.67	5.87
08	3.50	5.80	5.17	6.37
09	4.00	6.30	5.67	6.87
10	4.50	6.80	6.17	7.37
11	5.00	7.30	6.67	7.87
12	5.50	7.80	7.17	8.37
13	6.00	8.30	7.67	8.87
14	6.50	8.80	8.17	9.37
15	7.00	9.30	8.67	9.87
16	7.50	9.80	9.17	10.37
17	8.00	10.30	9.67	10.87
18	8.50	10.80	10.17	11.37
19	9.00	11.30	10.67	11.87
20	9.50	11.80	11.17	12.37
21	10.00	12.30	11.67	12.87
22	10.50	12.80	12.17	13.37
23	11.00	13.30	12.67	13.87
24	11.50	13.80	13.17	14.37
25	12.00	14.30	13.67	14.87
26	12.50	14.80	14.17	15.37
27	13.00	15.30	14.67	15.87
28	13.50	15.80	15.17	16.37
29	14.00	16.30	15.67	16.87
30	14.50	16.80	16.17	17.37
31	15.00	17.30	16.67	17.87
32	15.50	17.80	17.17	18.37
33	16.00	18.30	17.67	18.87
34	16.50	18.80	18.17	19.37
35	17.00	19.30	18.67	19.87
36	17.50	19.80	19.17	20.37
37	18.00	20.30	19.67	20.87
38	18.50	20.80	20.17	21.37
39	19.00	21.30	20.67	21.87
40	19.50	21.80	21.17	22.37

版次REV.	日期 DATE	变更内容 DESCRIPTION	审核 CHK.	核准 APPD.
A1	20.08.26	更新图框发行	李兴泽	杨章雄
A0	17.12.27	新图面发行	李兴泽	杨章雄

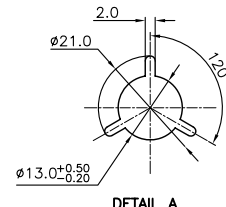
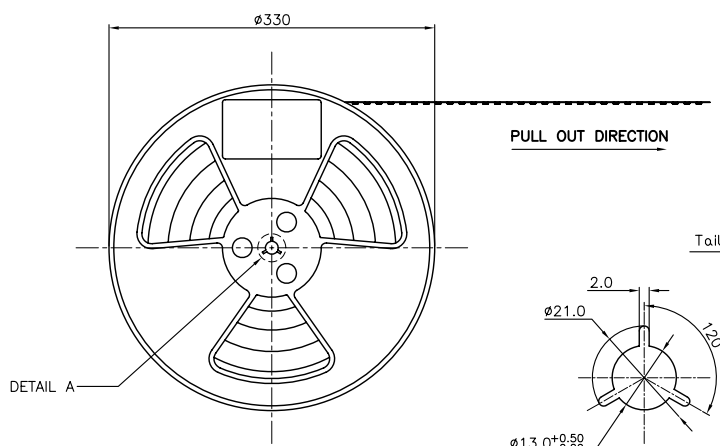
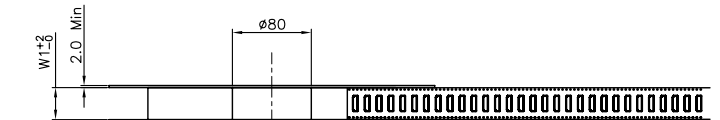
一般公差 GENERAL TOLERANCE	
X.X ±0.20	X* ±2*
X.XX ±0.15	X.X* ±1*
X.XXX ±0.08	▲ MAJOR DIM.
单位 UNIT	mm

绘图 DR.	程功银
校对 CHK.	李兴泽
审核 CHK.	李兴泽
核准 APPD.	杨章雄

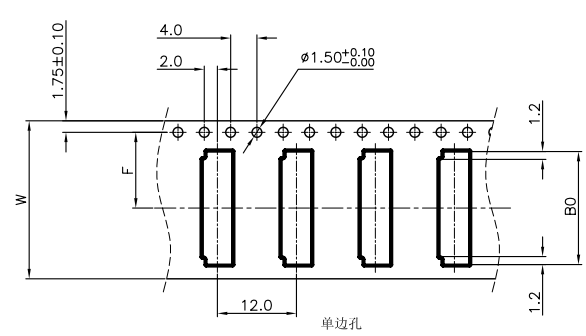
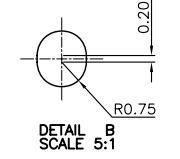
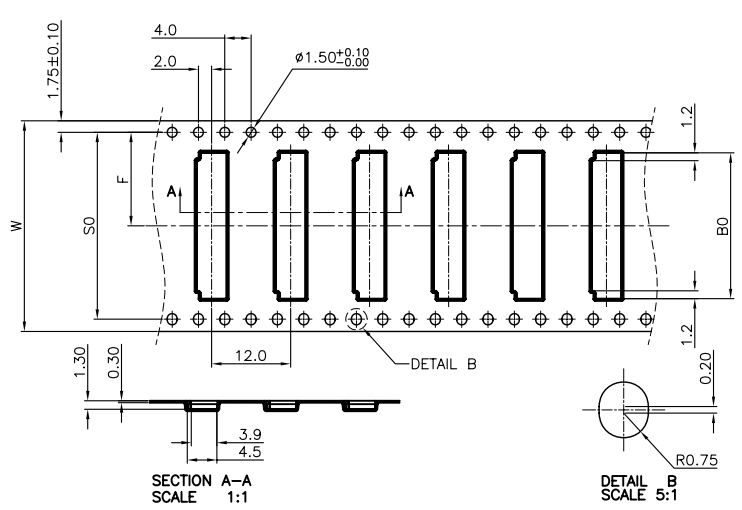
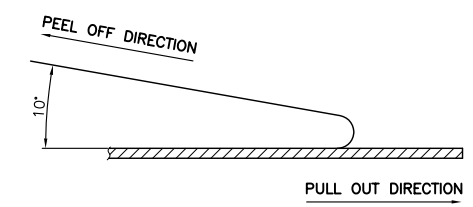
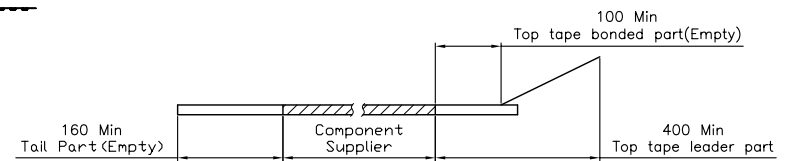
料号 PART NO.	40593W90-NPN-SRxxxTBR
品名 TITLE	0.5Pitch H=0.95 FPC Easy-on R/A Type1 SMT CONN

文件编号 NUMBER	ENDPT01
-------------	---------


 TERMINAL&CONNECTORS		
比例 SCALE	SHEET	版次 REV.
1/1	1/1	A1



- NOTES:
1. 10 SPROCKET HOLE PITCH CUMULATIVE TOLERANCE  $\pm 0.20\text{mm}$
  2. CARRIER CAMBER NOT TO EXCEED 1mm IN 250mm.
  3. ALL DIMENSIONS MEET EIA-481-C REQUIREMENTS.
  4. MATERIAL: BLACK ANTI-STATIC POLYSTYRENE.
  5. THICKNESS:  $0.30 \pm 0.05 \text{ mm}$ .
  6. PACKING LENGTH PER 13" REEL : 36.60METERS.
  7. COMPONENT LOAD PER 13" REEL : 3000PCS.
  8. PEELING OFF FORCE OF TOP TAPE 0.1N~0.7N(10.2gf~71.4gf).



CKTS	B0±0.10	W	W1	F	S0±0.10
4	4.67	16+0.3/-0	16.4	7.5±0.10	
5	5.17				
6	5.67				
7	6.17				
8	6.67				
9	7.17				
10	7.67				
11	8.17				
12	8.67				
13	9.17				
14	9.67				
15	10.17				
16	10.67				
17	11.17				
18	11.67				
19	12.17				
20	12.67				
21	13.17	24+0.3/-0	24.4	11.5±0.10	单边孔
22	13.67				
23	14.17				
24	14.67				
25	15.17				
26	15.67				
27	16.17				
28	16.67				
29	17.17				
30	17.67				
31	18.17	32±0.30	32.4	14.2±0.10	28.4
32	18.67				
33	19.17				
34	19.67				
35	20.17				
36	20.67				
37	21.17				
38	21.67				
39	22.17				
40	22.67				
40	22.67	44±0.30	44.4	20.2±0.15	40.4

					一般公差 GENERAL TOLERANCE		绘图 DR.	程功银	料号 PART NO.		文件编号 NUMBER		 TERMINAL&CONNECTORS		
					X.X ±0.20	X' ±2'	校对 CHK.	李兴泽	40593W90-NPN-SRxxxTBR		ENDPT01				
					X.XX ±0.15	X.X' ±1'	审核 CHK.	李兴泽	品名 TITLE		FPC 0.5Pitch H=0.95 R/A SMT CONN		比例 SCALE	SHEET	版次 REV.
版次 REV.	日期 DATE	变更内容 DESCRIPTION	审核 CHK.	核准 APPD.	单位 UNIT	mm	核准 APPD.	杨章雄			1/1	1/1	A1		