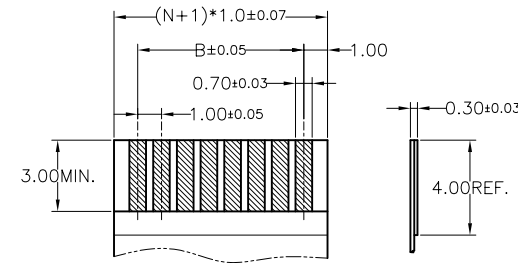
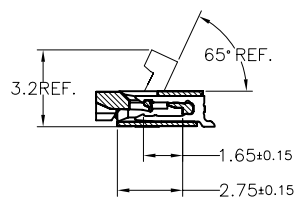
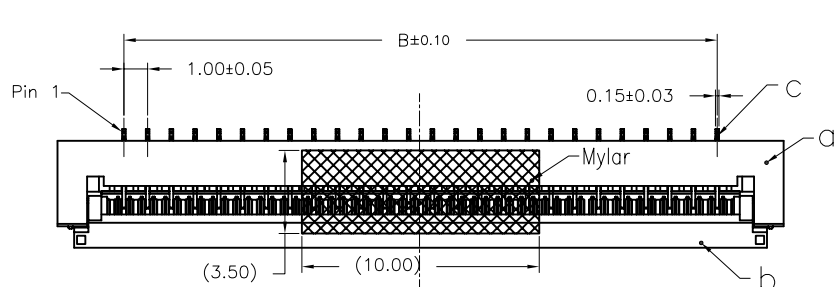
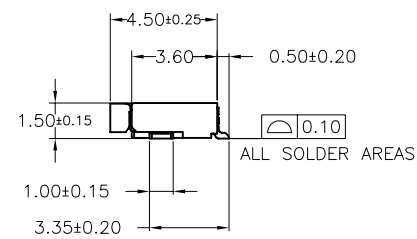
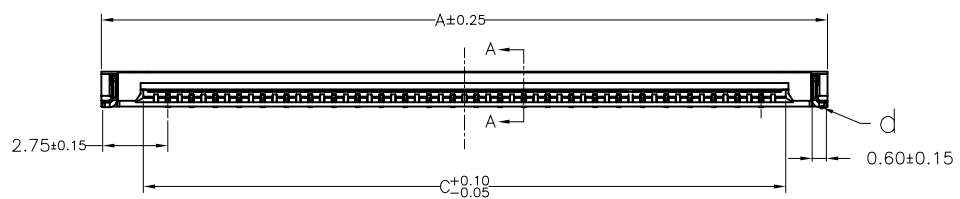


环保物料



APPLICABLE FFC
TOLERANCE: ±0.05



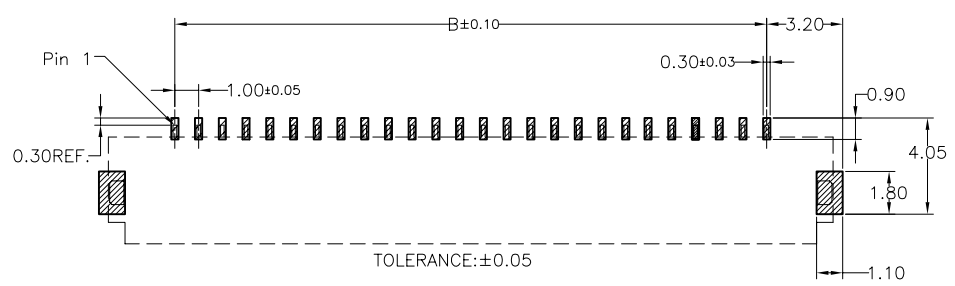
ALL SOLDER AREAS

41005W90-NPN-S H L 2E T B M
① ② ③ ④ ⑤ ⑥ ⑦ ⑧ ⑨ ⑩ ⑪

- ① Series No.
- ② W90 :Right angle
- ③ No. of Circuits
- ④ Color: N=Natural
- ⑤ S: SMT type
- ⑥ H=Halogen Free
- ⑦ Material: L=LCP
- ⑧ Plating for contacts:
2E=Matte Tin-plated
0A=Gold-flash on contact area
- ⑨ Plating for solder area:
T=Matte Tin-plating
- ⑩ Assembly Style
B=Bottom Contacts
- ⑪ M=Reel with mylar Backing

PIN NO.	DIM. A	DIM. B	DIM. C
04	8.60	3.00	5.07
05	9.60	4.00	6.07
06	10.60	5.00	7.07
07	11.60	6.00	8.07
08	12.60	7.00	9.07
09	13.60	8.00	10.07
10	14.60	9.00	11.07
11	15.60	10.00	12.07
12	16.60	11.00	13.07
13	17.60	12.00	14.07
14	18.60	13.00	15.07
15	19.60	14.00	16.07
16	20.60	15.00	17.07
17	21.60	16.00	18.07
18	22.60	17.00	19.07
19	23.60	18.00	20.07
20	24.60	19.00	21.07
21	25.60	20.00	22.07
22	26.60	21.00	23.07
23	27.60	22.00	24.07
24	28.60	23.00	25.07
25	29.60	24.00	26.07
26	30.60	25.00	27.07
27	31.60	26.00	28.07
28	32.60	27.00	29.07
29	33.60	28.00	30.07
30	34.60	29.00	31.07
31	35.60	30.00	32.07
32	36.60	31.00	33.07

Voltage Rating : 50V AC/DC
Current Rating : 0.5A AC,DC
Withstand Voltage : 500V AC/minute
Contact Resistance : 30mΩ(MAX.)
Insulation Resistance : 500MΩ(MIN.)
Temperature Range : -55°C~+85°C

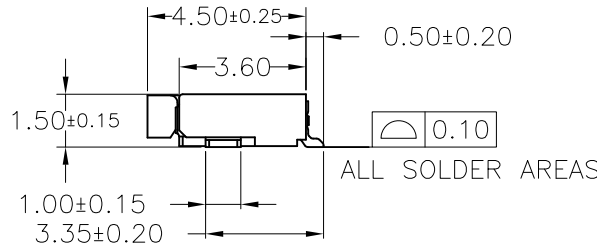
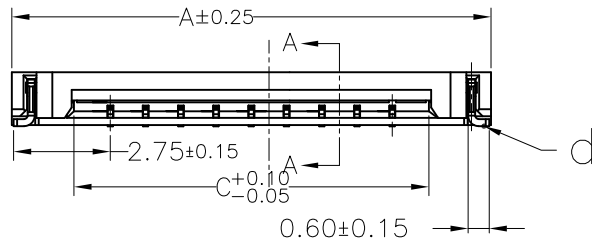
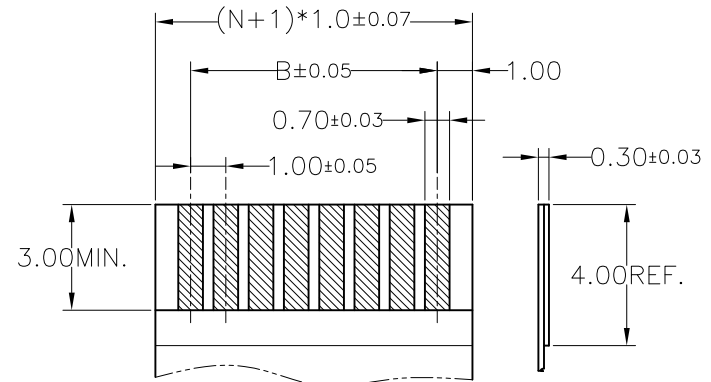
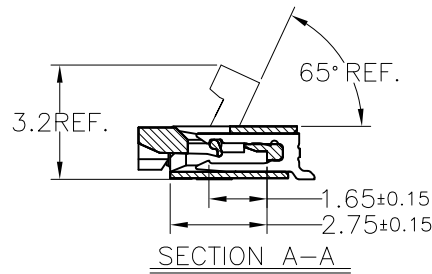
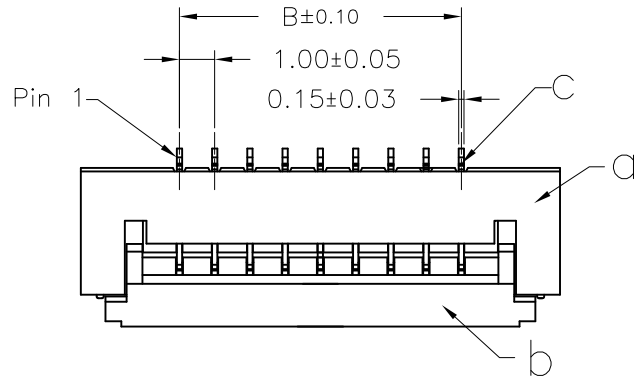


RECOMMEND PCB LAYOUT

No.	Description	Material	Color/Finish
a	Housing	LCP,UL94V-0	Natural
b	Actuator	LCP,UL94V-0	Black
c	Terminal	Phosphor Bronze	Matte Tin/Gold Flash
d	LEG	Phosphor Bronze	Matte Tin Plating Over Ni

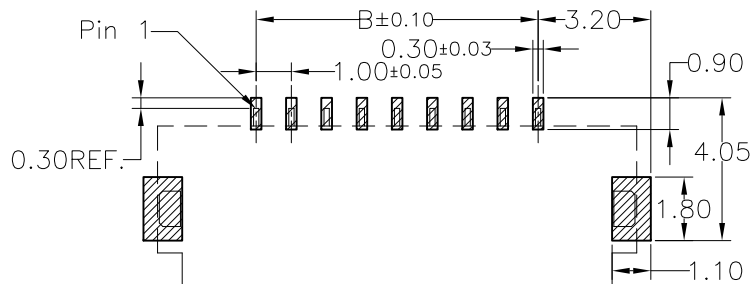
					一般公差 GENERAL TOLERANCE		绘图 DR.	程功银	料号 PART NO.		文件编号 NUMBER		 TERMINAL&CONNECTORS	
					X.X ±0.25	X' ±2'	校对 CHK.	李兴泽	41005W90-NPN-SHL2ETBM		ENDE05			
					X.XX ±0.15	X.X' ±1'	审核 CHK.	李兴泽	品名 TITLE		FPC 1.0 Pitch 1.5H ZIF R/A Connector			
C0	17.02.08	换图框发行	李兴泽		单位 UNIT	mm	核准 APPD.	杨章雄			比例 SCALE	SHEET	版次 REV.	
版次 REV.	日期 DATE	变更内容 DESCRIPTION	审核 CHK.	核准 APPD.							1/1	1/1	C0	

环保物料



Voltage Rating : 50V AC/DC
 Current Rating : 0.5A AC,DC
 Withstand Voltage : 500V AC/minute
 Contact Resistance : 30mΩ(MAX.)
 Insulation Resistance : 500MΩ(MIN.)
 Temperature Range : -25°C~+85°C

PIN NO.	DIM. A	DIM. B	DIM. C
04	8.60	3.00	5.07
05	9.60	4.00	6.07
06	10.60	5.00	7.07
07	11.60	6.00	8.07
08	12.60	7.00	9.07
09	13.60	8.00	10.07
10	14.60	9.00	11.07
11	15.60	10.00	12.07
12	16.60	11.00	13.07
13	17.60	12.00	14.07
14	18.60	13.00	15.07
15	19.60	14.00	16.07
16	20.60	15.00	17.07
17	21.60	16.00	18.07
18	22.60	17.00	19.07
19	23.60	18.00	20.07
20	24.60	19.00	21.07
21	25.60	20.00	22.07
22	26.60	21.00	23.07
23	27.60	22.00	24.07
24	28.60	23.00	25.07
25	29.60	24.00	26.07
26	30.60	25.00	27.07
27	31.60	26.00	28.07
28	32.60	27.00	29.07
29	33.60	28.00	30.07
30	34.60	29.00	31.07
31	35.60	30.00	32.07
32	36.60	31.00	33.07



TOLERANCE: ±0.05
 RECOMMEND PCB LAYOUT

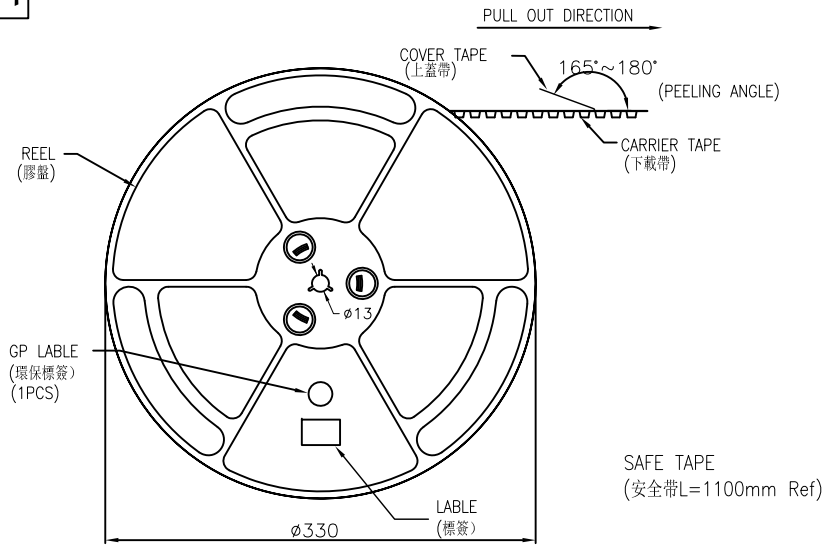
41005W90-NPN-S H L 2E T B R
 ① ② ③ ④ ⑤ ⑥ ⑦ ⑧ ⑨ ⑩ ⑪

- ① Series No.
- ② W90 :Right angle
- ③ No. of Circuits
- ④ Color: N=Natural
- ⑤ S: SMT type
- ⑥ H=Halogen Free
- ⑦ Material: L=LCP
- ⑧ Plating for contacts:
2E=Matte Tin-plated
0A=Gold-flash on contact area
- ⑨ Plating for solder area:
T=Matte Tin-plating
- ⑩ Assembly Style
B=Bottom Contacts
- ⑪ R=Tape & Reel

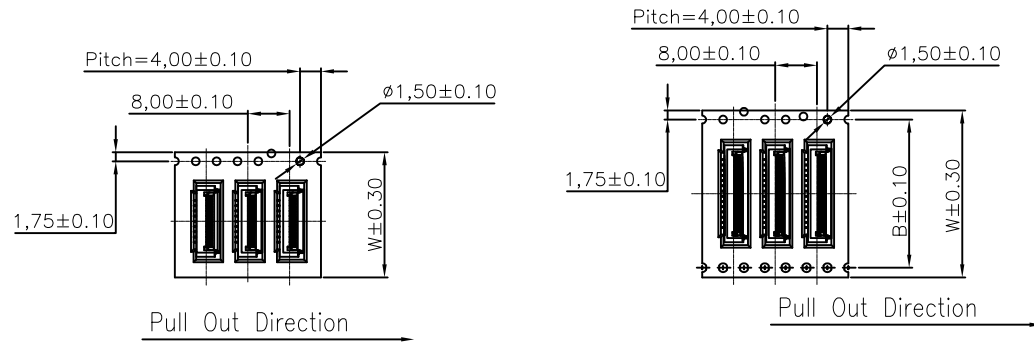
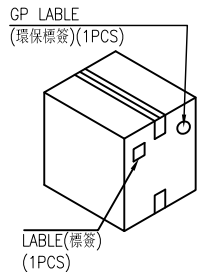
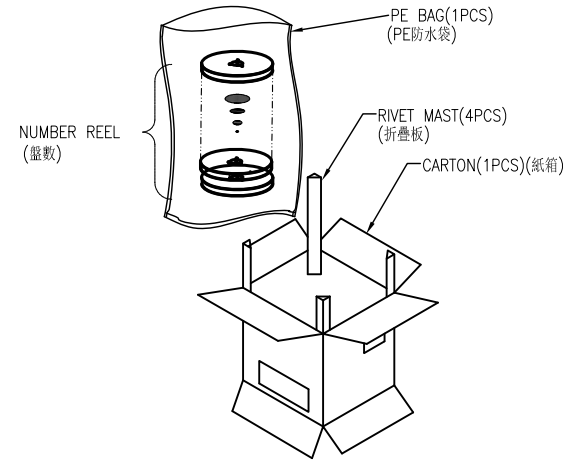
No.	Description	Material	Color/Finish
a	Housing	LCP,UL94V-0	Natural
b	Actuator	LCP,UL94V-0	Black
c	Terminal	Phosphor Bronze	Matte Tin/Gold Flash
d	LEG	Phosphor Bronze	Matte Tin Plating Over Ni

一般公差 GENERAL TOLERANCE						绘图 DR.	程功银	料号 PART NO.	文件编号 NUMBER	 TERMINAL&CONNECTORS	
X.X	±0.25	X'	±2'	校对 CHK.	李兴泽	41005W90-NPN-SHL2ETBR		ENDE05			
X.XX	±0.15	X.X'	±1'	审核 CHK.	李兴泽	品名 TITLE		FPC 1.0 Pitch 1.5H ZIF R/A Connector			
X.XXX	±0.08	Δ	MAJOR DIM.	核准 APPD.	杨章雄				比例 SCALE	SHEET	版次 REV.
A0	17.03.07	换图框发行	李兴泽						1/1	1/1	A0
单位 UNIT	mm										

环保物料

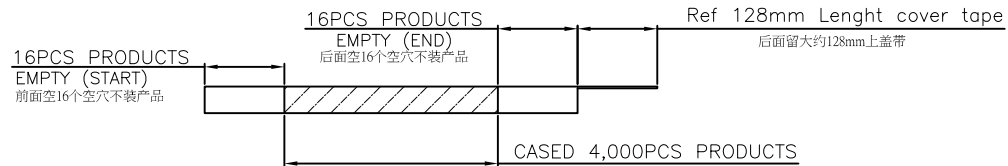


Scale 1:4



NOTES :

1. CARTON SPEC. :350 *350 *340mm(OUT DIM) , PAPPER THICKNESS =5mm
2. UPPER and DOWN EPS: 350*350mm THICKNESS =8mm.
3. THE COVER TAPE PEELING FORCE:30~100g.
4. PER REEL CASED ONE AIR BLADDER BAG.
5. CARRIER TAPE COLOR:BLACK.



PIN NO.	C	W	B	PCS/Reel	Reel/Carton	Sum(PCS)
04PIN~09PIN	28.5	24	-	4,000	10	40,000
10PIN~14PIN	36.5	32	28.4	4,000	8	32,000
15PIN~27PIN	48.5	44	40.4	4,000	6	24,000
28PIN~33PIN	60.5	56	52.4	4,000	5	20,000

A0	17.03.07	换图框发行				
版次 REV.	日期 DATE	变更内容 DESCRIPTION	审核 CHK.	核准 APPD.		

一般公差 GENERAL TOLERANCE	
X.X ±0.25	X' ±5'
X.XX ±0.15	X.X' ±2'
X.XXX ±0.08	▲ MAJOR DIM.
单位 UNIT	
mm	

绘图 DR.	程功银
校对 CHK.	李兴泽
审核 CHK.	李兴泽
核准 APPD.	杨章雄

料号 PART NO.	41005W90-NPN-SHL2ETBR
品名 TITLE	FPC 1.0 Pitch 1.5H ZIF R/A Connector

文件编号 NUMBER	ENDE05
-------------	--------

JCTC ® TERMINAL&CONNECTORS		
比例 SCALE	SHEET	版次 REV.
1/1	2/2	A0