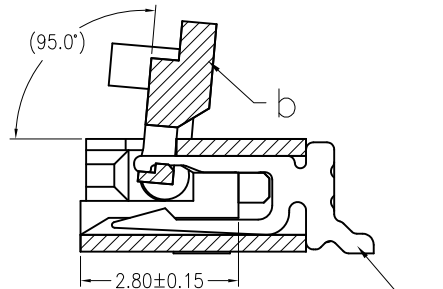
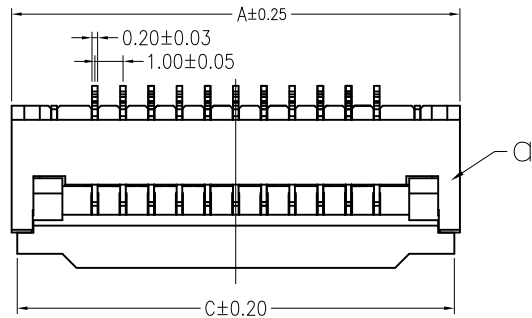
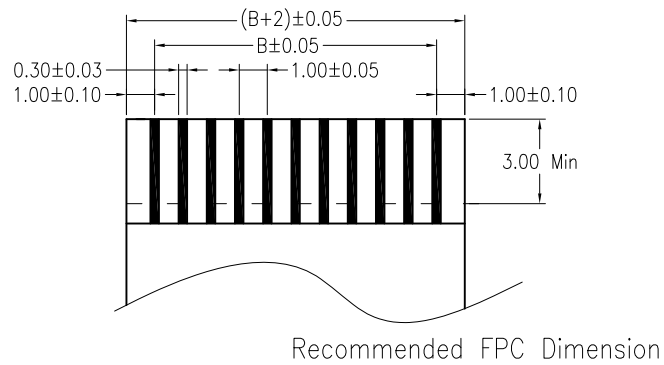


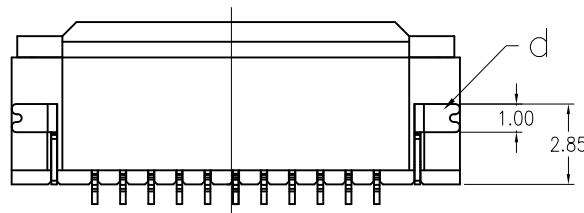
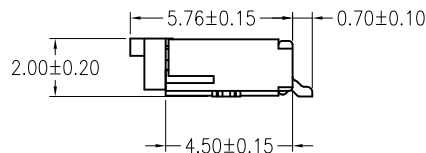
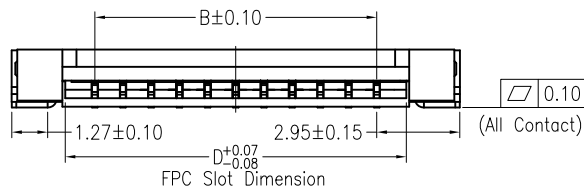
# 环保物料



Section A-A  
Scale 2:1



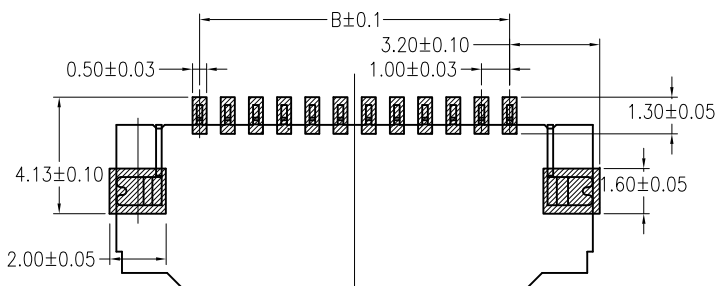
Recommended FPC Dimension



Voltage Rating : 50V AC/DC  
Current Rating : 0.5A AC,DC  
Withstand Voltage : 500V AC/minute  
Contact Resistance : 30mΩ(MAX.)  
Insulation Resistance : 500MΩ(MIN.)  
Temperature Range : -25°C~+85°C

41006W90-NPN-S H L 2E T B R  
① ② ③④⑤⑥⑦⑧⑨⑩⑪

- ① Series No.
- ② W90 :Right angle
- ③ No. of Circuits
- ④ Color: N=Natural
- ⑤ S: SMT type
- ⑥ H=Halogen Free
- ⑦ Material: L=LCP
- ⑧ Plating for contacts:  
2E=Matte Tin-plated  
OA=Gold-flash on contact area
- ⑨ Plating for solder area:  
T=Matte Tin-plating
- ⑩ Assembly Style  
B=Bottom Contacts
- ⑪ R=Tape & Reel



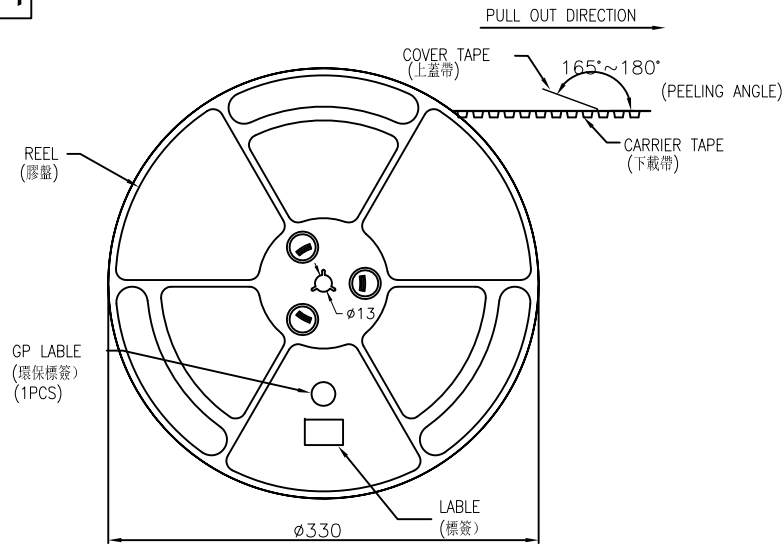
Recommended P.C.B Layout

Number of Contacts	Dimension			
	A	B	C	D
04	8.90	3.00	8.50	5.10
05	9.90	4.00	9.50	6.10
06	10.90	5.00	10.50	7.10
07	11.90	6.00	11.50	8.10
08	12.90	7.00	12.50	9.10
09	13.90	8.00	13.50	10.10
10	14.90	9.00	14.50	11.10
11	15.90	10.00	15.50	12.10
12	16.90	11.00	16.50	13.10
13	17.90	12.00	17.50	14.10
14	18.90	13.00	18.50	15.10
15	19.90	14.00	19.50	16.10
16	20.90	15.00	20.50	17.10
17	21.90	16.00	21.50	18.10
18	22.90	17.00	22.50	19.10
19	23.90	18.00	23.50	20.10
20	24.90	19.00	24.50	21.10
21	25.90	20.00	25.50	22.10
22	26.90	21.00	26.50	23.10
23	27.90	22.00	27.50	24.10
24	28.90	23.00	28.50	25.10
25	29.90	24.00	29.50	26.10
26	30.90	25.00	30.50	27.10
27	31.90	26.00	31.50	28.10
28	32.90	27.00	32.50	29.10
29	33.90	28.00	33.50	30.10
30	34.90	29.00	34.50	31.10
31	35.90	30.00	35.50	32.10
32	36.90	31.00	36.50	33.10

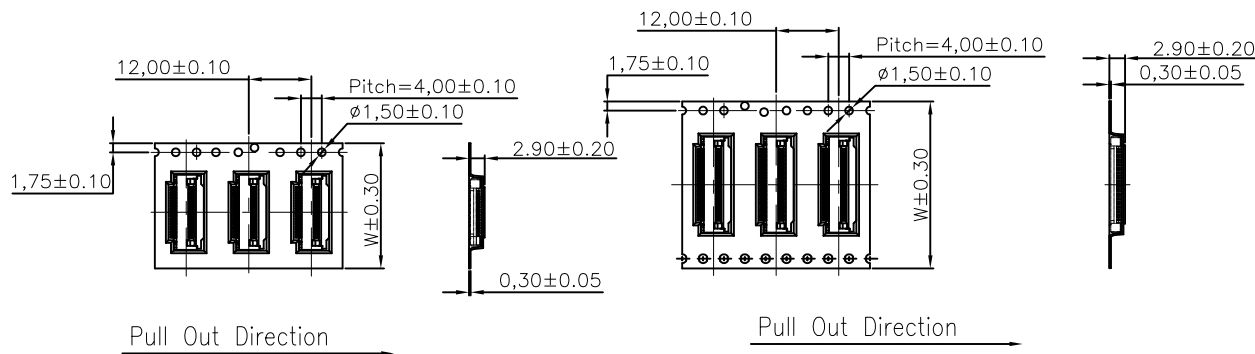
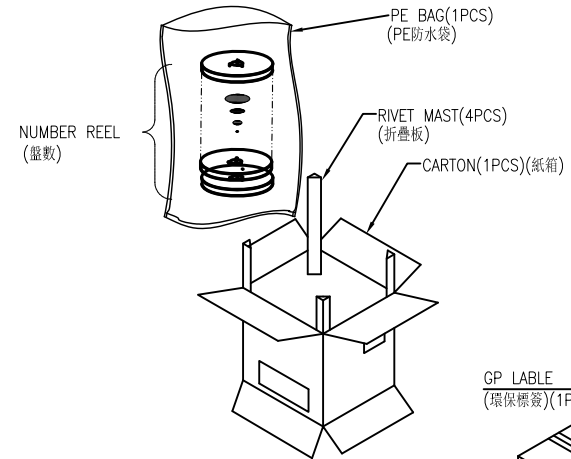
No.	Description	Material	Color/Finish
a	Housing	LCP,UL94V-0	Natural
b	Actuator	LCP,UL94V-0	Black
c	Terminal	Phosphor Bronze	Matte Tin/Gold Flash
d	LEG	Phosphor Bronze	Matte Tin Plating Over Ni

				一般公差 GENERAL TOLERANCE		绘图 DR.	程功银	料号 PART NO.		文件编号 NUMBER		 TERMINAL&CONNECTORS
				X.X ±0.25	X' ±2'	校对 CHK.	李兴泽	41006W90-NPN-SHLxxTBR		ENDE05		
				X.XX ±0.15	X.X' ±1'	审核 CHK.	李兴泽	品名 TITLE		FPC 1.0 Pitch 2.0H ZIF R/A Connector		
A0	17.02.08	换图框发行	李兴泽	单位 UNIT	mm	核准 APPD.	杨章雄	比例 SCALE		SHEET	版次 REV.	
版次 REV.	日期 DATE	变更内容 DESCRIPTION	审核 CHK.	核准 APPD.				1/1		1/2	A0	

# 环保物料

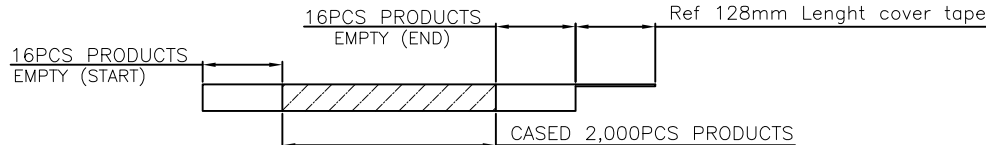


Scale 1:4



NOTES :

- 1.CARTON SPEC. :350 \*350 \*340mm(OUT DIM) , PAPPER THICKNESS =5mm
- 2.UPPER and DOWN EPS: 350\*350mm THICKNESS =8mm.
- 3.THE COVER TAPE PEELING FORCE:30~100g.
- 4.PER REEL CASED ONE AIR BLADDER BAG.
- 5.CARRIER TAPE COLOR:BLACK.



PIN NO.	C	W	PCS/Reel	Reel/Carton	Sum(PCS)
04PIN~11PIN	28.5	24	2,000	10	20,000
12PIN~16PIN	36.5	32	2,000	8	16,000
17PIN~28PIN	48.5	44	2,000	6	12,000
29PIN~30PIN	60.5	56	2,000	5	10,000

				一般公差 GENERAL TOLERANCE		绘图 DR.	程功银	料号 PART NO.		文件编号 NUMBER		 TERMINAL&CONNECTORS		
				X.X ±0.25	X' ±5'	校对 CHK.	李兴泽	41006W90-NPN-SHL2ETBR		ENDE05				
				X.XX ±0.15	X.X' ±2'	审核 CHK.	李兴泽	品名 TITLE		FPC 1.0 Pitch 2.0H ZIF R/A Connector		比例 SCALE	SHEET	版次 REV.
A0	17.02.08	换图框发行		单位 UNIT	mm	核准 APPD.	杨章雄			1/1	1/1	A0		