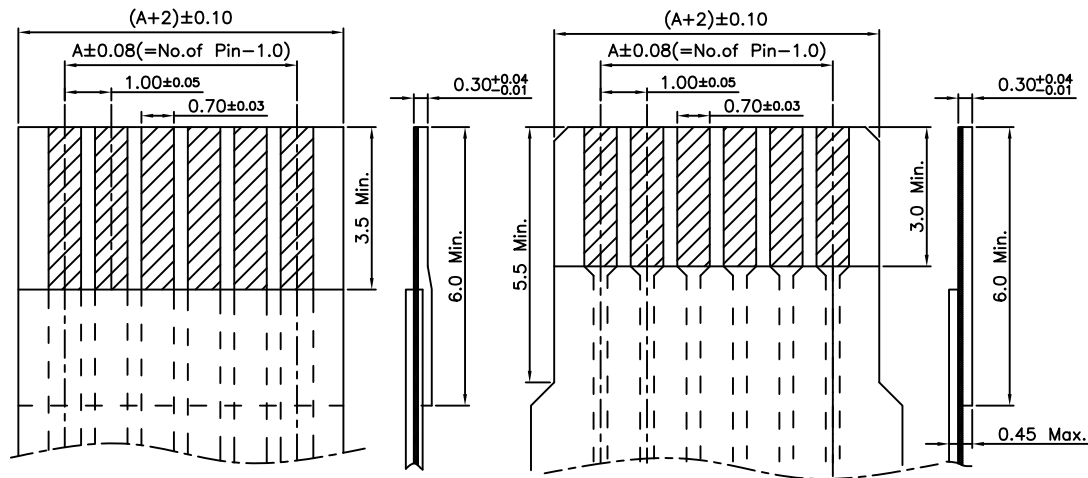
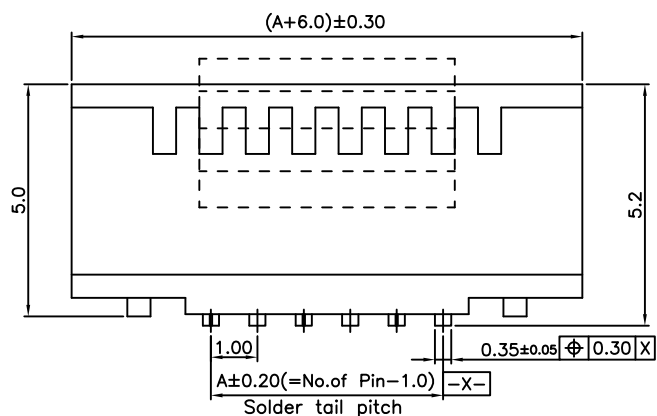
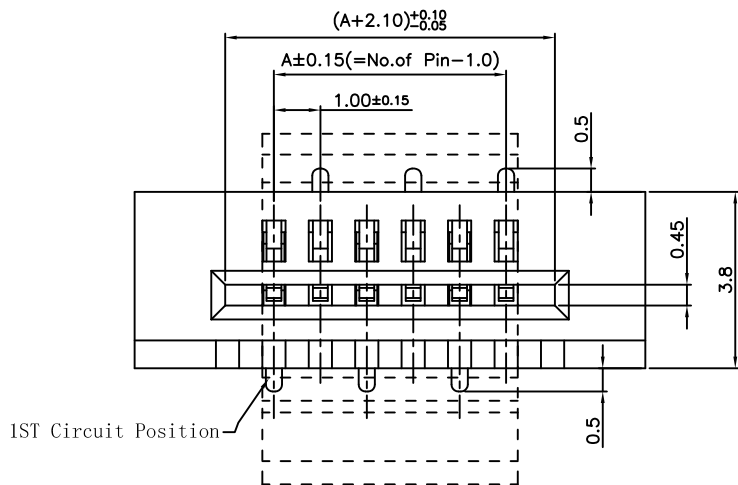
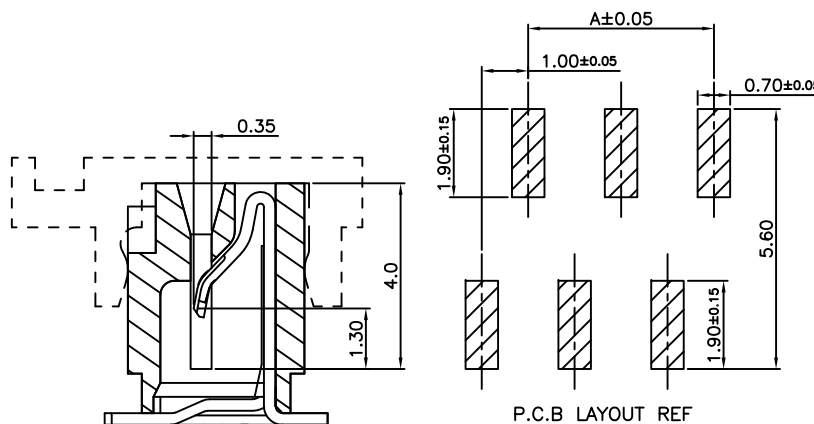


# 环保物料

Voltage Rating : 100V AC/DC  
 Current Rating : 0.5A AC,DC  
 Withstand Voltage : 500V AC/minute  
 Contact Resistance : 50mΩ(MAX.)  
 Insulation Resistance : 500MΩ(MIN.)  
 Temperature Range : -25°C~+85°C



RECOMMENDED FFC/FPC DIMENSION



P.C.B LAYOUT REF

41019W00-NPN-S H x 2E N B R  
 ① ② ③ ④ ⑤ ⑥ ⑦ ⑧ ⑨ ⑩

- ① Series No.
- ② W00: Straight Type
- ③ No. of Circuits
- ④ Color: N=Natural
- ⑤ S: SMT type
- ⑥ H=Halogen Free
- ⑦ Material: H=HTN
- ⑧ Plating for contacts:  
2E=Matte Tin-plated contact area
- ⑨ Plating for solder area:  
N=Non-plated
- ⑩ Assembly Style  
B=Bottom Contacts
- ⑪ R=Tape & Reel

No.	Description	Material	Color/Finish
a	Housing	HTN,UL94V-0	Natural
b	Terminal	C5210R-SH	Matte Tin Plating Over Ni

一般公差 GENERAL TOLERANCE			
X.X	±0.20	X'	±2'
X.XX	±0.15	X.X'	±1'
X.XXX	±0.08	▲	MAJOR DIM.
单位 UNIT	mm		

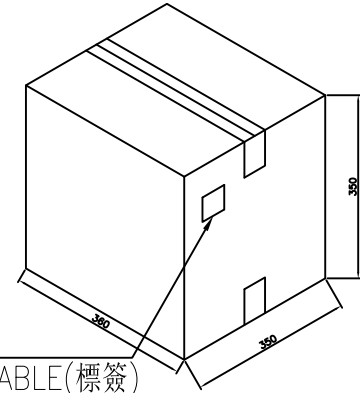
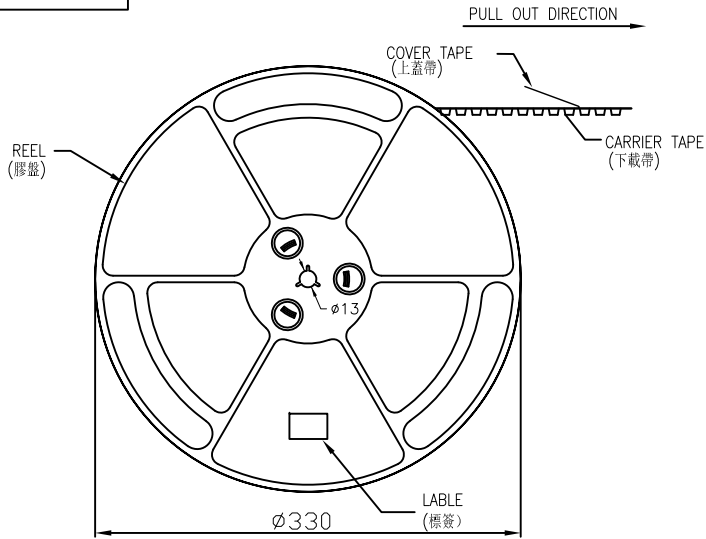
绘图 DR.	程功银
校对 CHK.	李兴泽
审核 CHK.	李兴泽
核准 APPD.	杨章雄

料号 PART NO.	41019W00-NPN-SHH2ENBR
文件编号 NUMBER	ENDPT01
品名 TITLE	1.0 Pitch 5.2H FPC Connector

比例 SCALE	1/1
SHEET	1/1
版次 REV.	A0

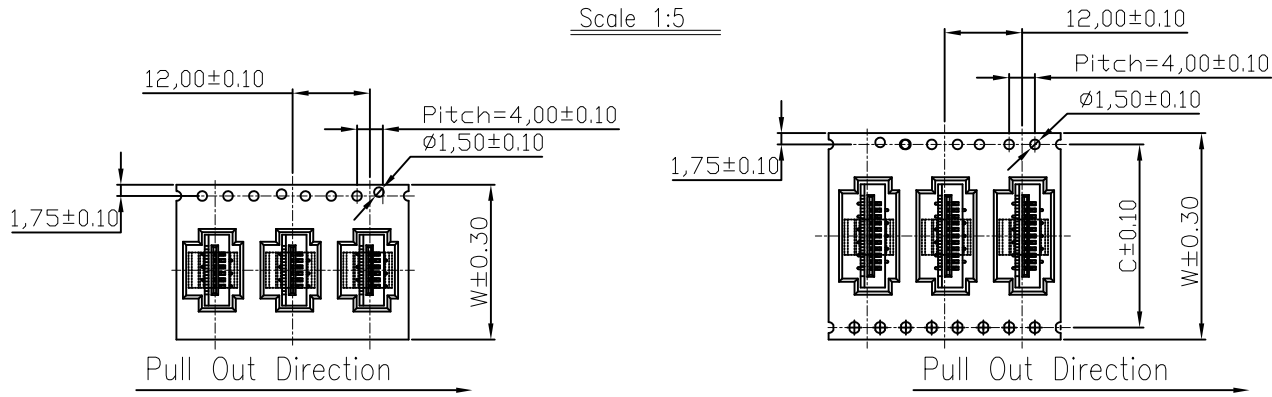
**JCTC**®  
 TERMINAL&CONNECTORS

版次 REV.	日期 DATE	变更内容 DESCRIPTION	审核 CHK.	核准 APPD.
A0	17. 01. 03	换图框发行	李兴泽	杨章雄



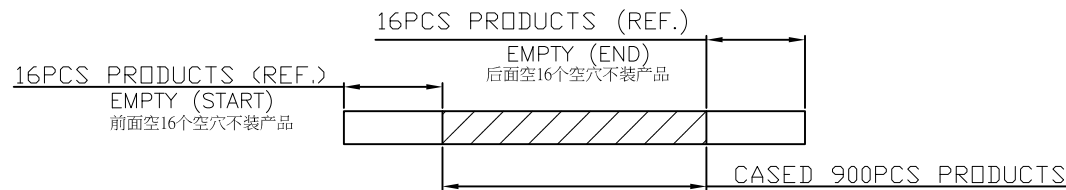
LABLE (標籤)  
(1PCS)

Scale 1:5



NOTE:

- 1.10 Sprocket hole pitch cumulative tolerance  $\pm 0.20$ .
- 2.Carrier camber is within 1mm in 100mm.
- 3.Material: black conductive polystyrene alloy.
- 4.Material Thickness:  $0.3 \pm 0.05$ mm.
- 5.All dimensions meet EIA-481-B requirements.
- 6.900pcs Pef Reel.
- 7.For tape width(dim W)24mm pilot holes are provided on one sides.  
For tape width(dim W)32, 44 and 56mm pilot holes are provided on both sides.



PIN NO.	W	C	? PCS/Reel	? PCS/Carton
06PIN~11PIN	24	-	900	10800

			一般公差 GENERAL TOLERANCE		绘图 DR.	程功银	料号 PART NO.	文件编号 NUMBER	 TERMINAL&CONNECTORS		
			X.X ±0.20	X' ±2'	校对 CHK.	李兴泽	41019W00-NPN-SHH2ENBR	ENDPT01			
			X.XX ±0.15	X.X' ±1'	审核 CHK.	李兴泽	品名 TITLE		比例 SCALE	SHEET	版次 REV.
A0	17.01.03	换图框发行	X.XXX ±0.05	▲ MAJOR DIM.	核准 APPD.	杨章雄	1.0 Pitch 5.2H FPC Connector		1/1	1/1	A0
版次 REV.	日期 DATE	变更内容 DESCRIPTION	审核 CHK.	核准 APPD.	单位 UNIT	mm					