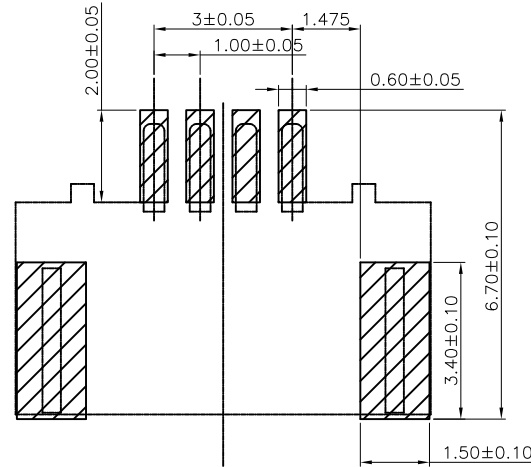
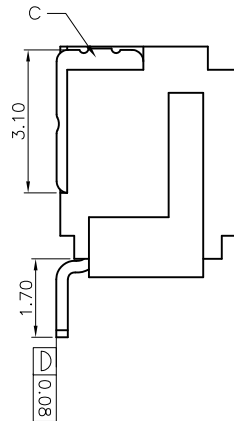
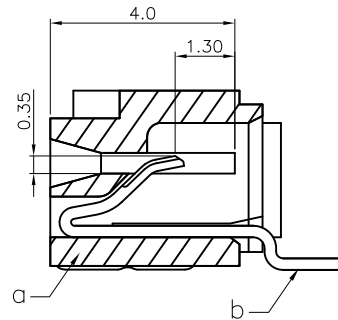
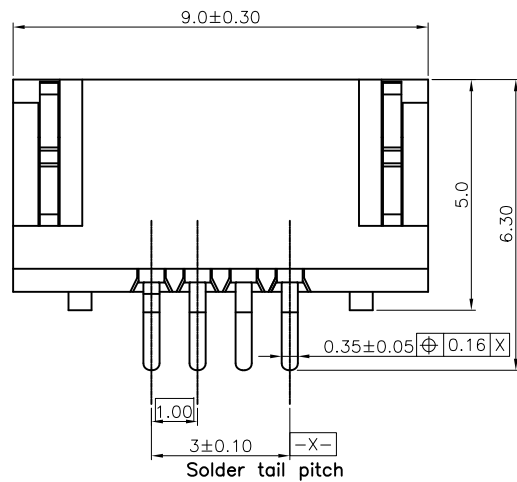
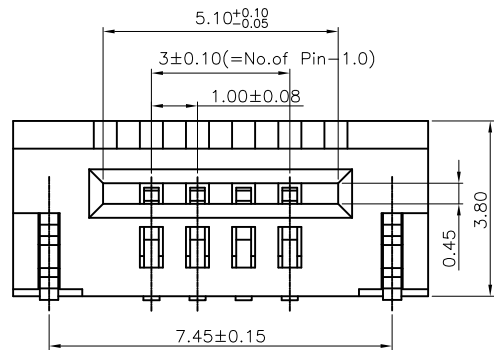


环保物料

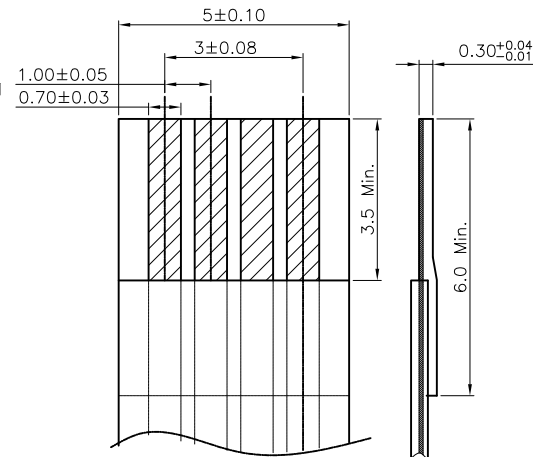
Voltage Rating : 100V AC/DC
 Current Rating : 0.5A AC,DC
 Withstand Voltage : 500V AC/minute
 Contact Resistance : 50mΩ(MAX.)
 Insulation Resistance : 500MΩ(MIN.)
 Temperature Range : -25°C~+85°C

41019W90-4PN-S H H 2E T B R
 ① ② ③ ④ ⑤ ⑥ ⑦ ⑧ ⑨ ⑩ ⑪

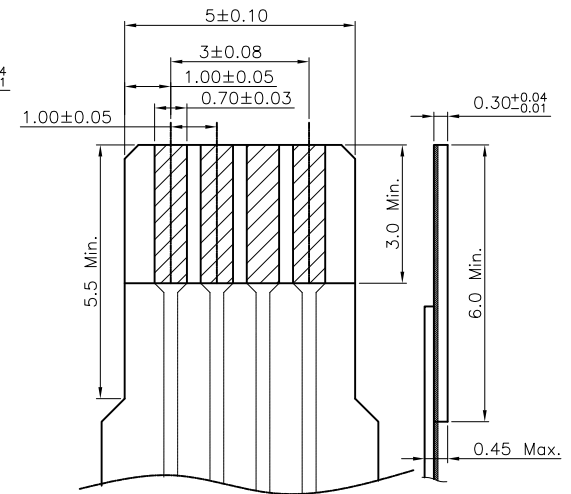
- ① Series No.
- ② W90 :Right angle
- ③ No. of Circuits
- ④ Color: N=Natural
- ⑤ S: SMT type
- ⑥ H=Halogen Free
- ⑦ Material: H=HTN
- ⑧ Plating for contacts:
2E=Matte Tin-plated contact area
- ⑨ Plating for solder area:
T=Matte Tin-plated
- ⑩ Assembly Style
B=Bottom Contacts
- ⑪ R=Tape & Reel



P.C.B LAYOUT REF

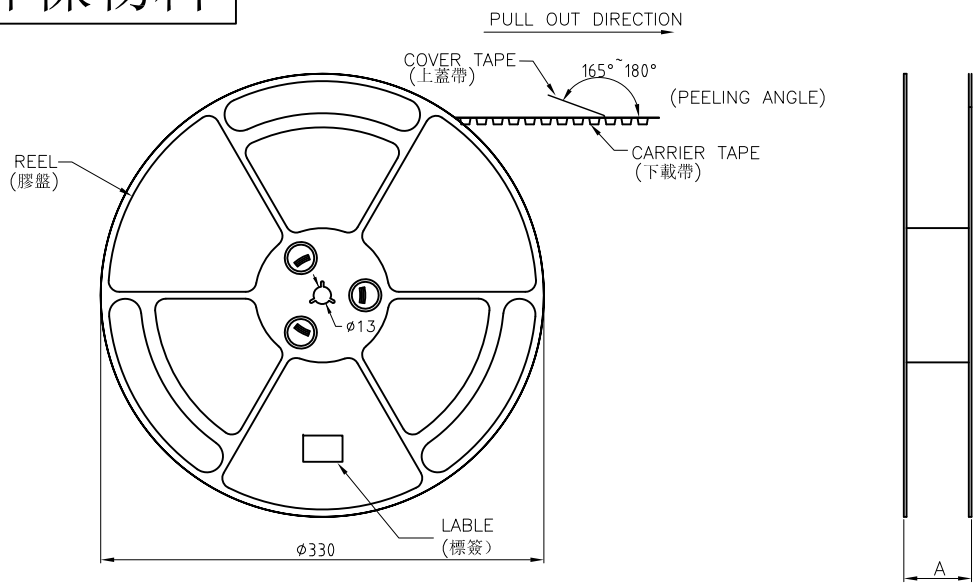


RECOMMENDED FFC/FPC DIMENSION

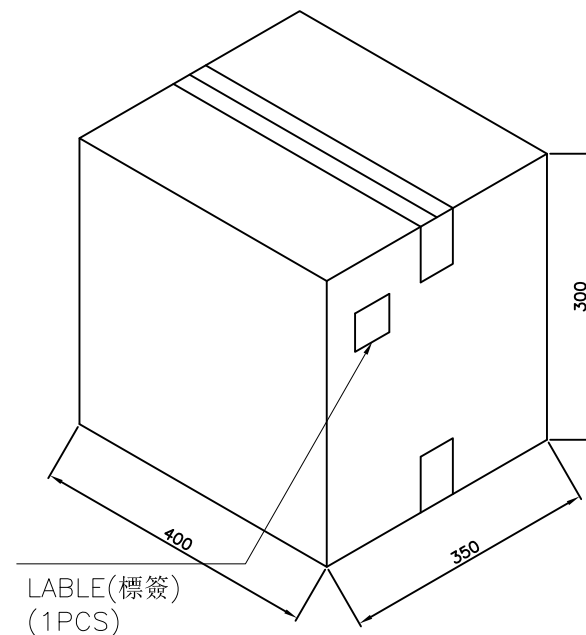


No.	Description	Material	Color/Finish
a	Housing	HTN,UL94V-0	Natural
b	Terminal	C5191R-H	Matte Tin Plating Over Ni
c	LEG	C2680-H	Matte Tin Plating Over Ni

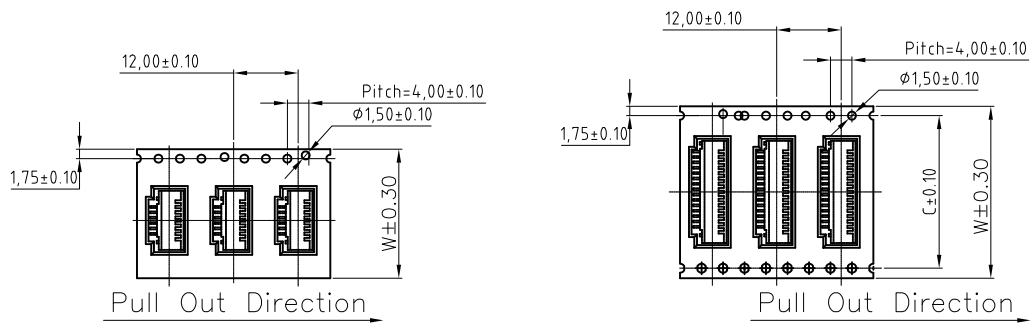
					一般公差 GENERAL TOLERANCE		绘图 DR.	程功银	料号 PART NO.		文件编号 NUMBER		 TERMINAL&CONNECTORS
					X.X ±0.25	X' ±2'	校对 CHK.	李兴泽	41019W90-NPN-SHH2ETBR		ENDE05		
					X.XX ±0.15	X.X' ±1'	审核 CHK.	李兴泽	品名 TITLE				
					X.XXX ±0.08	△ MAJOR DIM.	核准 APPD.	杨章雄	1.0 Pitch 3.8H FPC Connector		比例 SCALE	SHEET	版次 REV.
A0	13.01.08	换图框发行			单位 UNIT	mm					1/1	1/1	A0



Scale 1:4



LABLE(標籤)
(1PCS)



- NOTE:
- 1.10 Sprocket hole pitch cumulative tolerance ± 0.20 .
 2. Carrier camber is within 1mm in 100mm.
 3. Material: black conductive polystyrene alloy.
 4. Material Thickness: 0.3 ± 0.05 mm.
 5. All dimensions meet EIA-481-B requirements.
 6. 1400pcs Pef Reel.
 7. For tape width(dim W)24mm pilot holes are provided on one sides.
For tape width(dim W)32, 44 and 56mm pilot holes are provided on both sides.

PIN NO.	W	C	PCS/Reel	PCS/CARTON
03PIN	24	-	1,400	14,000
04PIN~11PIN	24	-	1,400	14,000

						一般公差 GENERAL TOLERANCE		绘图 DR. 程功银		料号 PART NO. 41019W90-NPN-SHH2ETBR		文件编号 NUMBER ENDPT01		 TERMINAL&CONNECTORS			
						X.X ± 0.20	X* $\pm 2^*$	校对 CHK. 李兴泽		品名 TITLE		比例 SCALE 1/1				SHEET 1/1	
						X.XX ± 0.15	X.X* $\pm 1^*$	审核 CHK. 李兴泽		1.0 Pitch 3.8H FPC Connector		版次 REV. A0					
A0	17.01.03	换图框发行		李兴泽	杨章雄	X.XXX ± 0.05		▲ MAJOR DIM.		核准 APPD. 杨章雄							
版次 REV.	日期 DATE	变更内容 DESCRIPTION		审核 CHK.	核准 APPD.	单位 UNIT mm											