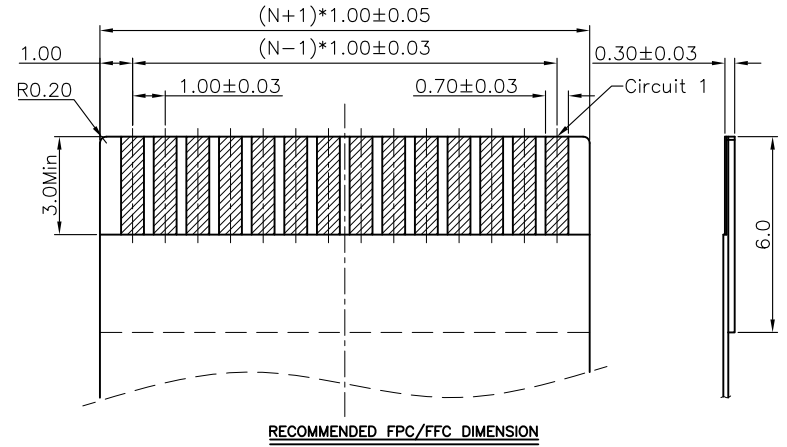
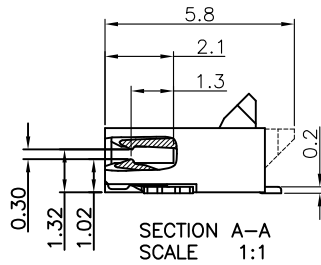
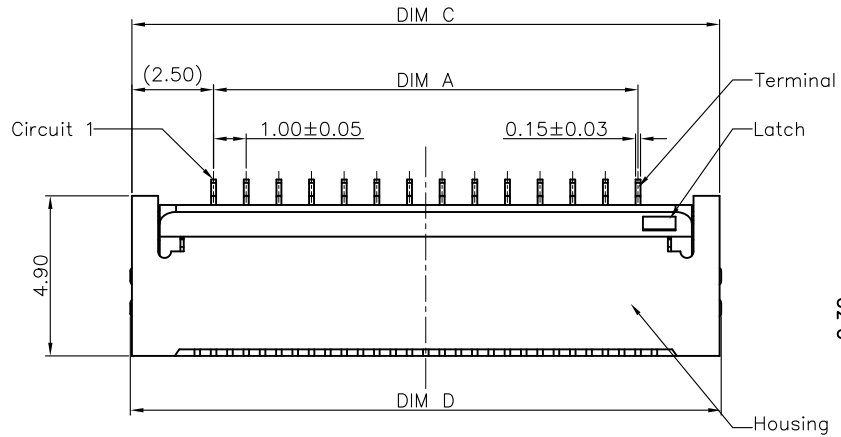
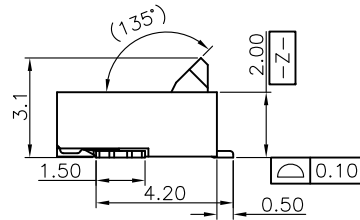


环保物料



Voltage Rating : 50V AC/DC
 Current Rating : 0.5A AC,DC
 Withstand Voltage : 250V AC/minute
 Contact Resistance : 30mΩ(MAX.)
 Insulation Resistance : 100MΩ(MIN.)
 Temperature Range : -25°C~+85°C

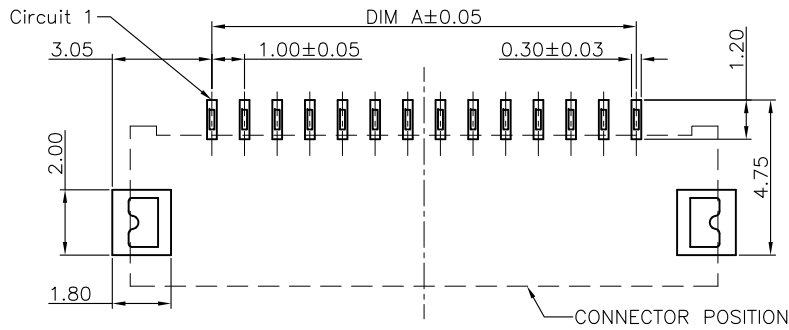
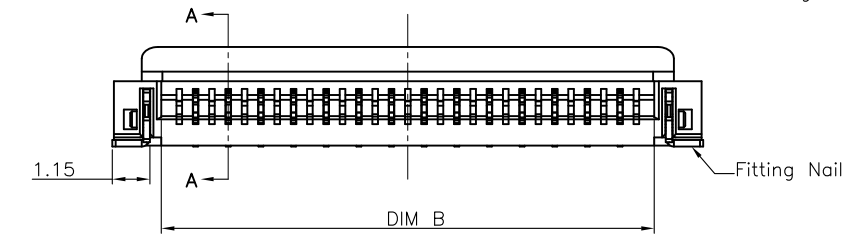
CKTS	DIM A	DIM B	DIM C	DIM D
04	3.00	5.10	8.00	8.10
05	4.00	6.10	9.00	9.10
06	5.00	7.10	10.00	10.10
07	6.00	8.10	11.00	11.10
08	7.00	9.10	12.00	12.10
09	8.00	10.10	13.00	13.10
10	9.00	11.10	14.00	14.10
11	10.00	12.10	15.00	15.10
12	11.00	13.10	16.00	16.10
13	12.00	14.10	17.00	17.10
14	13.00	15.10	18.00	18.10
15	14.00	16.10	19.00	19.10
16	15.00	17.10	20.00	20.10
17	16.00	18.10	21.00	21.10
18	17.00	19.10	22.00	22.10
19	18.00	20.10	23.00	23.10
20	19.00	21.10	24.00	24.10
21	20.00	22.10	25.00	25.10
22	21.00	23.10	26.00	26.10
23	22.00	24.10	27.00	27.10
24	23.00	25.10	28.00	28.10
25	24.00	26.10	29.00	29.10
26	25.00	27.10	30.00	30.10
27	26.00	28.10	31.00	31.10
28	27.00	29.10	32.00	32.10
29	28.00	30.10	33.00	33.10



41058W90-NPN-S H L xx T x R
 ① ② ③ ④ ⑤ ⑥ ⑦ ⑧ ⑨ ⑩ ⑪

- ① Series No.
- ② W90 :right angle
- ③ No. of Circuits
- ④ Color: N=Natural
- ⑤ S=SMT
- ⑥ H=HF
- ⑦ Material:L=LCP
- ⑧ Plating for contacts:
2E=Matte Tin-plated/Tin-plated
OA=Gold-flash All Terminal area
- ⑨ Plating for solder area:
T=Tin-Plating
- ⑩ Assembly Style
U=Top Contacts
B=Bottom Contacts
- ⑪ R=Tape & Reel
T=Tube Backing

No.	Description	Material	Color/Finish
a	Housing	LCP,UL94V-0	Natural
b	Actuator	LCP,UL94V-0	Black/Blue
c	Terminal	Phosphor Bronze(C5191)	Gold Flash
d	LEG	Phosphor Bronze(C5191)	Matte Tin Plating Over Ni



RECOMMENDED P.C.B PATTERN LAYOUT

一般公差 GENERAL TOLERANCE

X.X	±0.15	X*	±2*
X.XX	±0.05	X.X*	±1*
X.XXX	±0.02	▲ MAJOR DIM.	

单位 UNIT mm

绘图 DR. 程功银
 校对 CHK. 李兴泽
 审核 CHK. 李兴泽
 核准 APPD. 杨章雄

料号 PART NO. 41058W90-NPN-SHLxxTBR
 品名 TITLE 1.0Pitch H=2.0 FPC Back-Flip R/A Type1 SMT CONN

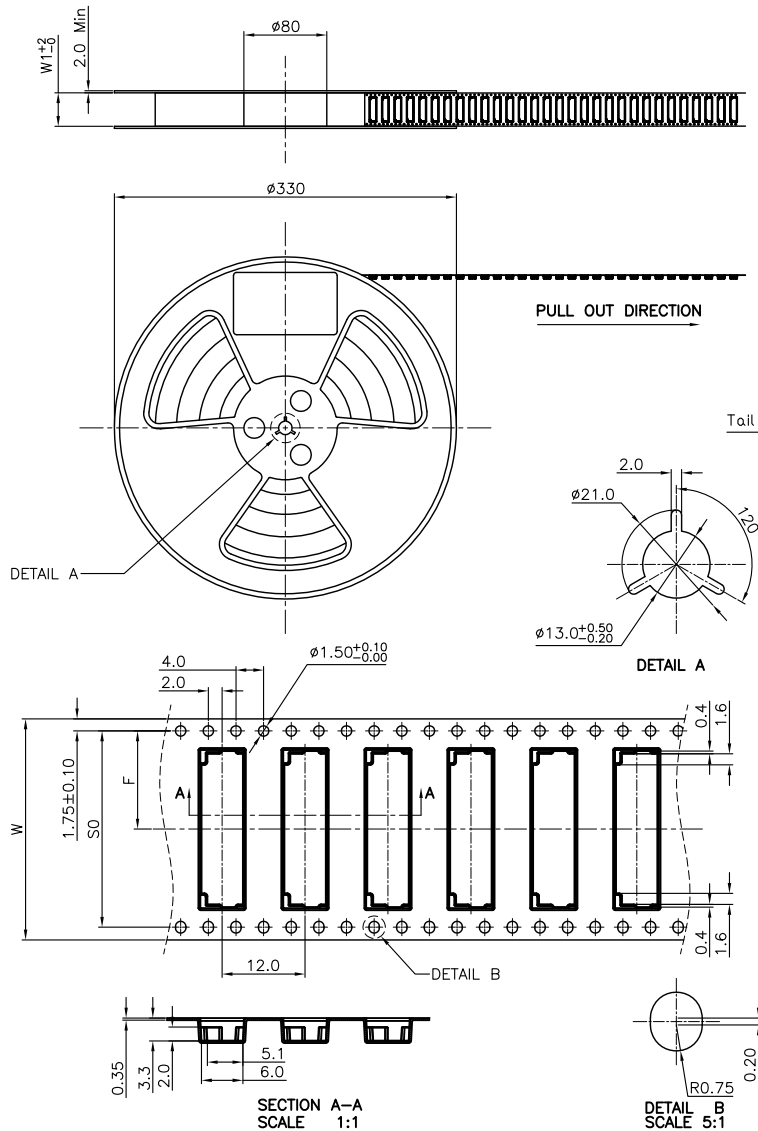
文件编号 NUMBER ENDPT01

比例 SCALE 1/1

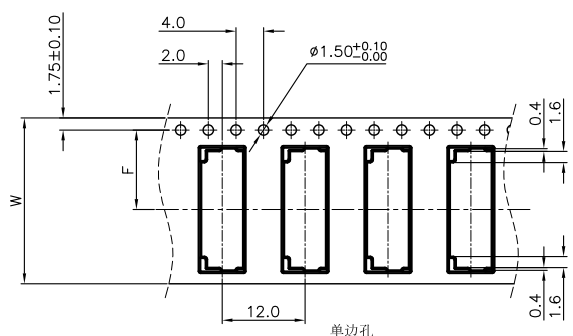
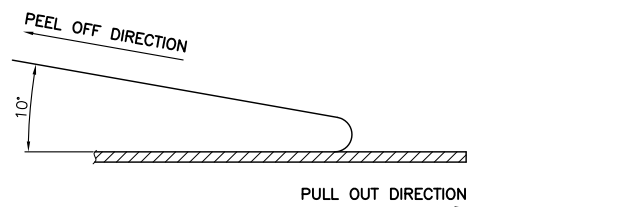
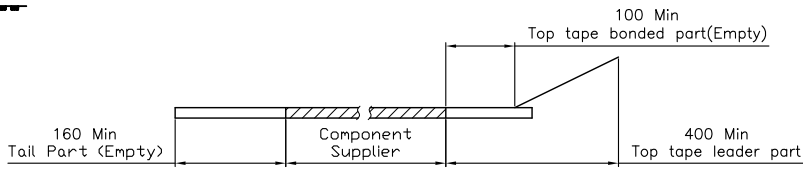
SHEET 1/1
 版次 REV. A1



版次 REV.	日期 DATE	变更内容 DESCRIPTION	审核 CHK.	核准 APPD.
A1	20.08.27	更新图框发行	李兴泽	杨章雄
AO	19.02.04	新图面发行	李兴泽	杨章雄



- NOTES:
1. 10 SPROCKET HOLE PITCH CUMULATIVE TOLERANCE.±0.20mm
 2. CARRIER CAMBER NOT TO EXCEED 1mm IN 250mm.
 3. ALL DIMENSIONS MEET EIA-481-C REQUIREMENTS.
 4. MATERIAL: BLACK ANTI-STATIC POLYSTYRENE.
 5. THICKNESS: 0.35 ± 0.05 mm.
 6. PACKING LENGTH PER 13" REEL : 18.60METERS.
 7. COMPONENT LOAD PER 13" REEL : 1500PCS.
 8. PEELING OFF FORCE OF TOP TAPE 0.1N~0.7N(10.2gf~71.4gf).



PIN NO.	W	W1	F	PCS /REEL
04PIN~05PIN	16	16.4	7.5±0.10	1500
6PIN~13PIN	24	24.4	11.5±0.10	1500
14PIN~19PIN	32	32.4	14.20±0.10	1500
20Pin~30PIN	44	44.4	20.2±0.15	1500

一般公差 GENERAL TOLERANCE						绘图 DR.	程功银	料号 PART NO. 41058W90-NPN-SHLxxTBR	文件编号 NUMBER ENDPT01	JCTC [®] TERMINAL&CONNECTORS		
A1	20.08.27	更新图框发行	李兴泽	杨章雄	X.X ±0.15	X* ±2*	校对 CHK.				李兴泽	
AO	19.02.04	新图面发行	李兴泽	杨章雄	X.XX ±0.05	X.X* ±1*	审核 CHK.	李兴泽	品名 TITLE 1.0Pitch H=2.0 FPC Back-Flip R/A Type1 SMT CONN	比例 SCALE 1/1	SHEET 1/1	版次 REV. A1
版次 REV.	日期 DATE	变更内容 DESCRIPTION	审核 CHK.	核准 APPD.	X.XXX ±0.02	▲ MAJOR DIM.	核准 APPD.	杨章雄				
单位 UNIT mm												