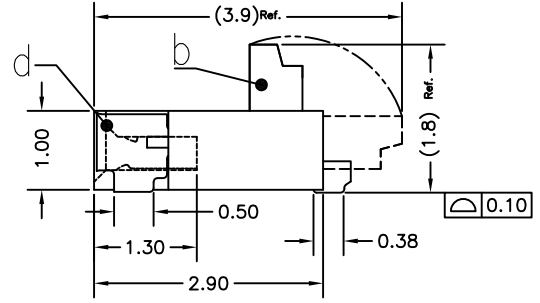
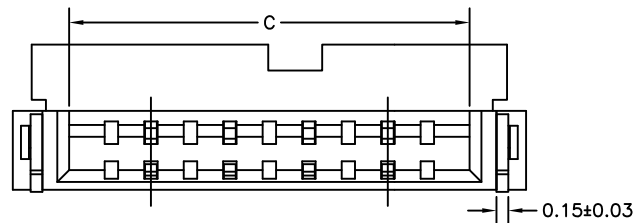


APPLICABLE FFC/FPC

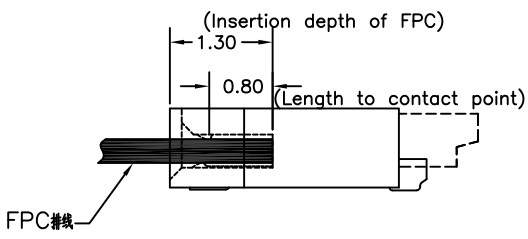
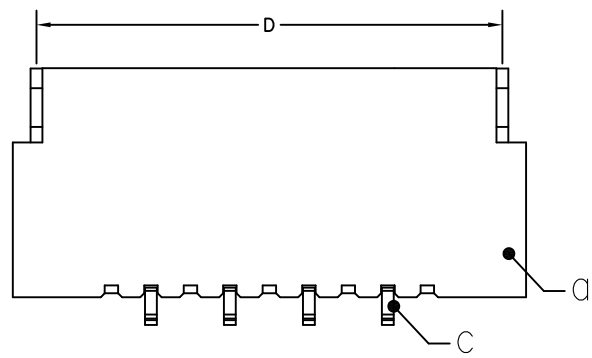
- Current Rating : 0.5A AC/DC
额定电流 : 0.5A AC/DC
- Voltage Rating : 50V AC/DC
额定电压 : 50V AC/DC
- Withstand Voltage : 250V AC/minute
耐压 : 250V AC/minute
- Contact Resistance : 30mΩ(MAX.)
接触电阻 : 30mΩ(MAX.)
- Insulation Resistance : 100MΩ(MIN.)
绝缘电阻 : 100MΩ(MIN.)
- Temperature Range : -25°C~+85°C
温度范围 : -25°C~+85°C



41056W90-NPx-S H L 0A T C R-D9
① ② ③④⑤⑥⑦⑧⑨⑩⑪

- ① Series No.
- ② W90 :Right angle
- ③ No. of Circuits
- ④ Color: A=Black&0.3mm FFC#线
- ⑤ S: SMT type
- ⑥ H=Halogen Free
- ⑦ Material: L=LCP
- ⑧ Plating for contacts:
OA=Gold-flash on contact area
- ⑨ Plating for solder area:
T=Tin Plating
- ⑩ Assembly Style
C=Turned up actuator the back
- ⑪ R=Tape & Reel

| Dimensional Information: | | | | |
|--------------------------|------------|-------|-------|-------|
| Part No. | Dimensions | | | |
| | A | B | C | D |
| 4P | 6.50 | 3.00 | 5.07 | 5.90 |
| 5P | 7.50 | 4.00 | 6.07 | 6.90 |
| 6P | 8.50 | 5.00 | 7.07 | 7.90 |
| 7P | 9.50 | 6.00 | 8.07 | 8.90 |
| 8P | 10.50 | 7.00 | 9.07 | 9.90 |
| 9P | 11.50 | 8.00 | 10.07 | 10.90 |
| 10P | 12.50 | 9.00 | 11.07 | 11.90 |
| 11P | 13.50 | 10.00 | 12.07 | 12.90 |
| 12P | 14.50 | 11.00 | 13.07 | 13.90 |
| 13P | 15.50 | 12.00 | 14.07 | 14.90 |
| 14P | 16.50 | 13.00 | 15.07 | 15.90 |



| No. | Description | Material | Color/Finish |
|-----|-------------|-----------------|---------------------------|
| a | Housing | LCP,UL94V-0 | Natural |
| b | Actuator | PA9T,UL94V-0 | Black/Blue |
| c | Terminal | Phosphor Bronze | Gold Flash |
| d | LEG | Phosphor Bronze | Matte Tin Plating Over Ni |

| 一般公差 GENERAL TOLERANCE | | | | | | 绘图 DR. | 程功银 | 料号 PART NO. | 文件编号 NUMBER | JCTC® TERMINAL&CONNECTORS |
|------------------------|-------|--------------|-----|----------|-----|--------------------------|--------------------------------------|-------------|-------------|------------------------------|
| X.X | ±0.20 | X' | ±2' | 校对 CHK. | 李兴泽 | 41068W90-NPx-SHLOATCR-D9 | ENDPT01 | | | |
| X.XX | ±0.15 | X.X' | ±1' | 审核 CHK. | 李兴泽 | 品名 TITLE | FPC 1.0 Pitch 1.0H ZIF R/A Connector | 比例 SCALE | SHEET | 版次 REV. |
| X.XXX | ±0.05 | ▲ MAJOR DIM. | | 核准 APPD. | 杨章雄 | | | 1/1 | 1/2 | A1 |
| 单位 UNIT | mm | | | | | | | | | |

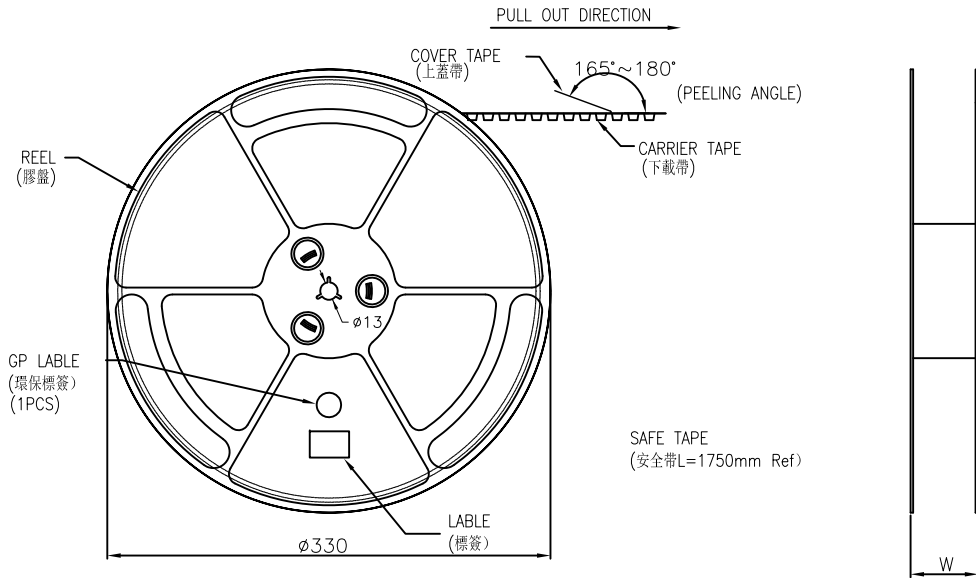
| 版次 REV. | 日期 DATE | 变更内容 DESCRIPTION | 审核 CHK. | 核准 APPD. |
|---------|----------|------------------|---------|----------|
| A1 | 20.08.21 | 更新图框发行 | 李兴泽 | 杨章雄 |
| AO | 18.04.25 | 新版发行 | 李兴泽 | 杨章雄 |

环保物料

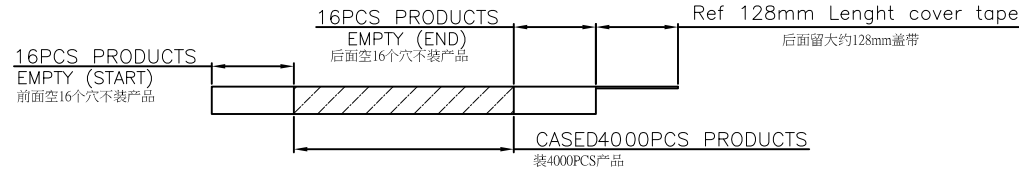
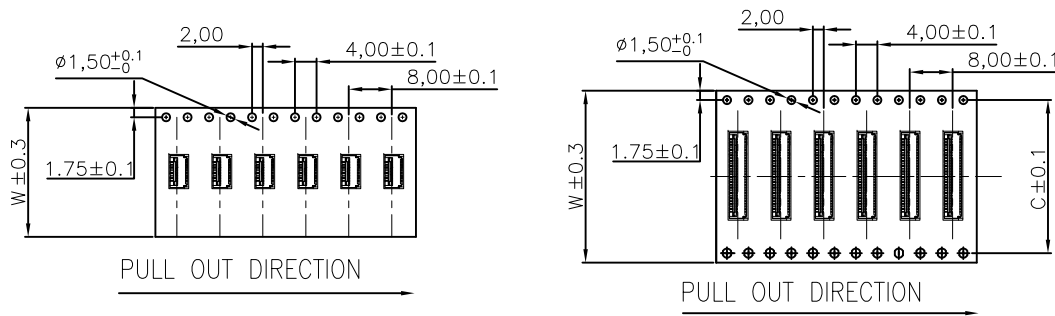
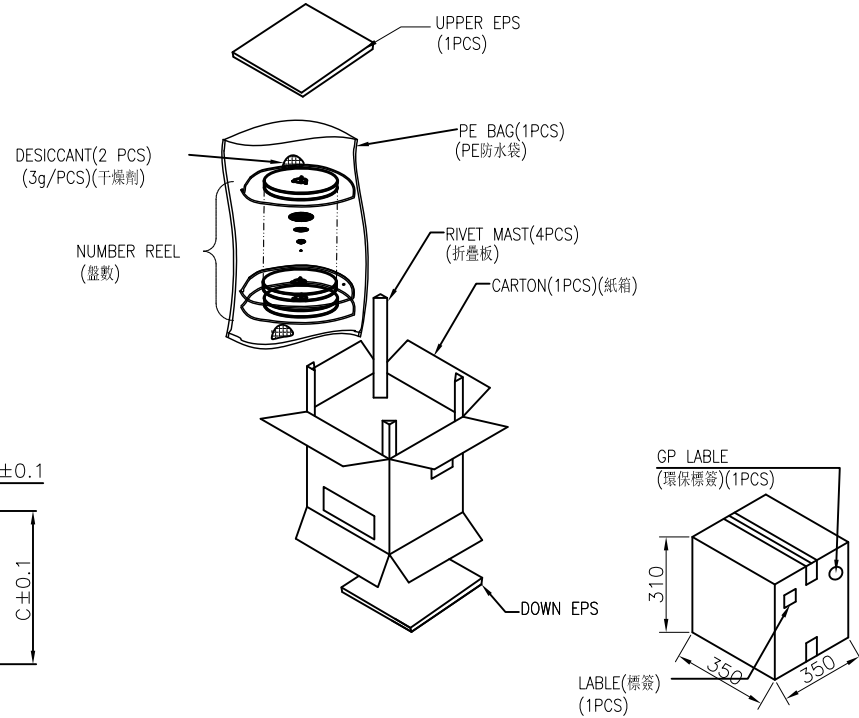
检验规范

NOTE:

- 1.10 Sprocket hole pitch cumulative tolerance ± 0.20 .
2. Carrier camber is within 1mm in 100mm.
3. Material: black conductive polystyrene alloy.
4. Material Thickness: 0.3 ± 0.05 mm.
5. All dimensions meet EIA-481-B requirements.
6. 5000pcs Pef Reel.
7. For tape width(dim W)16 and 24mm pilot holes are provided on one sides. For tape width(dim W)32, 44 and 56mm pilot holes are provided on both sides.



SCALE 1:4



| PIN NO. | W | C | PCS /REEL | REEL/CARTON | SUM(PCS) |
|------------|----|---|-----------|-------------|----------|
| 4PIN~6PIN | 16 | - | 4000 | 14 | 56000 |
| 8PIN~10PIN | 24 | - | 4000 | 9 | 36000 |
| | | | | | |
| | | | | | |

| 一般公差 GENERAL TOLERANCE | | | | | | 绘图 DR. | 程功银 | 料号 PART NO. | 文件编号 NUMBER | JCTC® TERMINAL&CONNECTORS | | |
|------------------------|----------|------------------|---------|----------|-------------|--------------|----------|---------------------------------------|-------------|--------------------------------------|--|--|
| | | | | | | X.X ±0.20 | X' ±2' | 41068W90-NP _x -SHLOATCR-D9 | ENDPT01 | 比例 SCALE SHEET 版次 REV. 1/1 2/2 A1 | | |
| A1 | 20.08.21 | 更新图框发行 | 李兴泽 | 杨章雄 | X.XX ±0.15 | X.X' ±1' | 校对 CHK. | 李兴泽 | | | | |
| AO | 18.04.25 | 新版发行 | 李兴泽 | 杨章雄 | X.XXX ±0.05 | ▲ MAJOR DIM. | 审核 CHK. | 李兴泽 | 品名 TITLE | FPC 1.0 Pitch 1.0H ZIF R/A Connector | | |
| 版次 REV. | 日期 DATE | 变更内容 DESCRIPTION | 审核 CHK. | 核准 APPD. | 单位 UNIT | mm | 核准 APPD. | 杨章雄 | | | | |