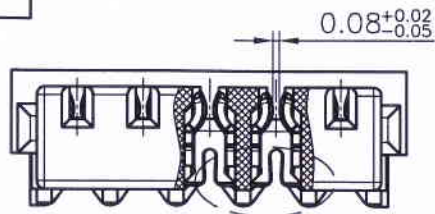
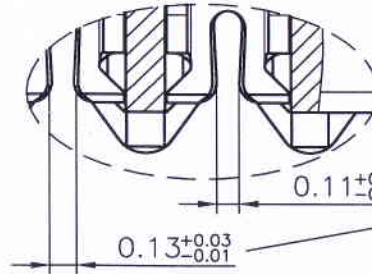


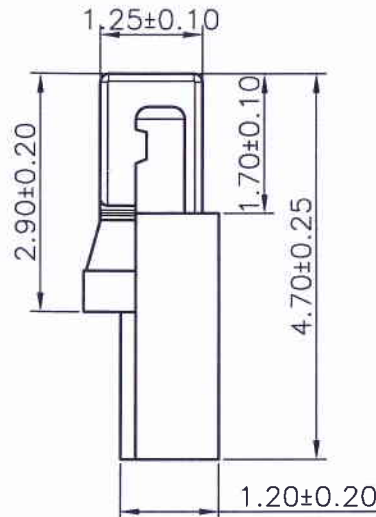
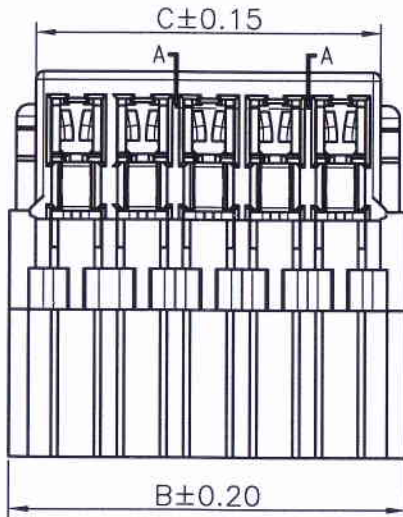
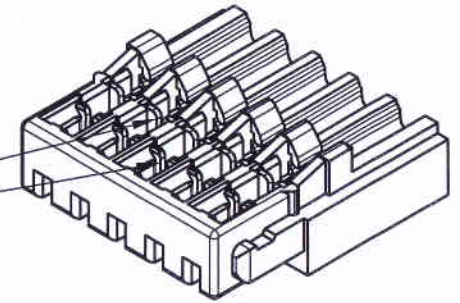
RoHS



SECTION: A-A



SEC: A-A
SCALE: 2.5:1



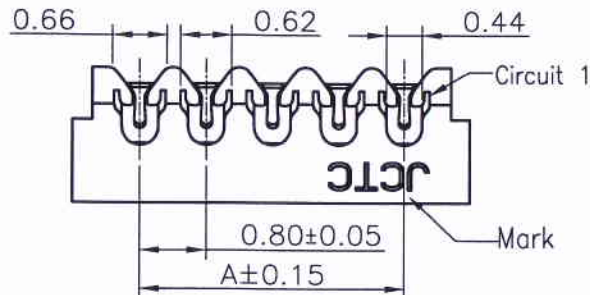
50801H00-NPX-S2-5A-HF

① ② ③ ④ ⑤ ⑥ ⑦

- ① Series No.
- ② H90 : Side Contact
H00 : Up Contact
- ③ No. of Circuits
- ④ X : Product color(A--Y)
Blank : Natural type
- ⑤ S2 : S2 Type
- ⑥ 5A : Terminal/Gold-flash
- ⑦ HF : Halogen Free

Specifications:
 Rated Voltage : 30V AC/DC
 Rated Current : 0.5A AC,DC
 Withstand Voltage : 200V AC/minute
 Contact Resistance : 30mΩ(MAX.)
 Insulation Resistance : 100MΩ(MIN.)
 Temperature Range : -25°C~+85°C

Dimensional Ordering Information:			
Circuits Part No	Dimensions		
	A	B	C
5P	3.20	4.80	4.18
6P	4.00	5.60	4.98
7P	4.80	6.40	5.78



Applicable Wire: AWG #34(Insulation O.D.: 0.32mm)

Part No.	Material	Color	Terminal Material
50801H00-NP-S2-HF	Nylon 66,UL94V-0	Natural(White)	Phosphor Bronze/Tin-plated
50801H00-NPA-S2-HF	Nylon 66,UL94V-0	Black	Phosphor Bronze/Tin-plated
50801H00-NP-S2-5A-HF	Nylon 66,UL94V-0	Natural(White)	Phosphor Bronze/Gold-flash
50801H00-NPA-S2-5A-HF	Nylon 66,UL94V-0	Black	Phosphor Bronze/Gold-flash

REV.	REVISION RECORD	DATE	GENERAL TOLERANCES	SCALE:	NAME	DATE	JCTC ® 胜蓝科技股份有限公司 TERMINAL&CONNECTORS 东莞市富智达电子科技有限公司 TITLE: JST0.8刺破加高型 0.80mm PITCH HOUSING	PART NO:
C1	TN1108150121	11.08.15	LINEAR	1:1				50801H00-NPX-S2-5A-XX
C2	HN1111010145	11.11.01	ANGLES	APPROVED				DWG. NO:
C3	整理图面	12.10.16	0.0±0.25 X° REF±6°	DESIGNER				ENDE05
C4	变更公司名称	17.03.20	0.00±0.15 X° ±3°	DRAWN	卢小锋	17.03.20	REV: C4	SHEET: 1/1
			0.000±0.08 X° X'±2°					