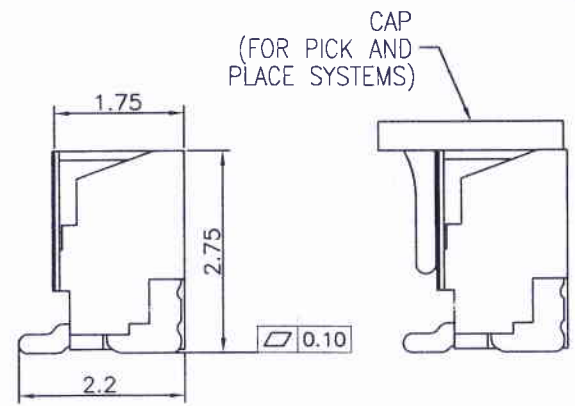
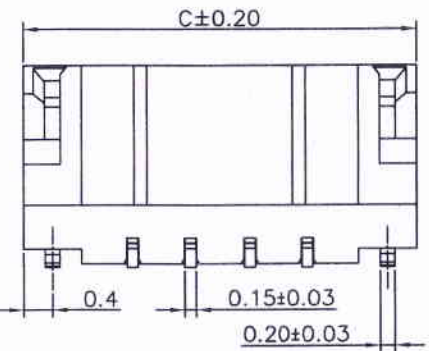


Dimensional Ordering Information:			
Circuits Part No	Dimensions		
	A	B	C
2P		1.90	3.80
3P	1.60	2.70	4.60
4P	2.40	3.50	5.40
5P	3.20	4.30	6.20
6P	4.00	5.10	7.00
7P	4.80	5.90	7.80
8P	5.60	6.70	8.60
9P	6.40	7.50	9.40
10P	7.20	8.30	10.20
11P	8.00	9.10	11.00
12P	8.80	9.90	11.80
13P	9.60	10.70	12.60
14P	10.40	11.50	13.40
15P	11.20	12.30	14.20
16P	12.00	13.10	15.00
17P	12.80	13.90	15.80
18P	13.60	14.70	16.60
19P	14.40	15.50	17.40
20P	15.20	16.30	18.20
21P	16.00	17.10	19.00
22P	16.80	17.90	19.80
23P	17.60	18.70	20.60
24P	18.40	19.50	21.40



- 50801W00--NPX-S-XX-XX
 ① ② ③④⑤⑥ ⑦
- ① Series No.
 - ② W90 : Side Contact
W00 : Up Contact
 - ③ No. of Circuits
 - ④ A : Product color(A--Y)
Blank : Natural type
 - ⑤ S: SMT Type
 - ⑥ 5A: Pin Gold-flash
Solder Tabs Gold-flash
 - ⑦ HF : Halogen Free

Specifications:
 Rated Voltage : 30V AC/DC
 Rated Current : 0.5A AC,DC
 Withstand Voltage : 200V AC/minute
 Contact Resistance : 30mΩ(MAX.)
 Insulation Resistance : 100MΩ(MIN.)
 Temperature Range : -25°C~+85°C
 The product using material and processing must conform to the "WI-PZ-142"HSF technical standard control requirements

Part No.	Material	Color	Pin Material	Solder Tabs
50801W00-NP-S	Nylon 6T,UL94V-0	Beige	Phosphor Bronze/Matte Tin-plated	Brass/Matte Tin-plated
50801W00-NP-S-5A	Nylon 6T,UL94V-0	Beige	Phosphor Bronze/Gold-flash	Brass/Gold-flash
50801W00-NP-S-HF	LCP,UL94V-0	藕/Beige	Phosphor Bronze/Matte Tin-plated	Brass/Matte Tin-plated
50801W00-NP-S-5A-HF	LCP,UL94V-0	藕/Beige	Phosphor Bronze/Gold-flash	Brass/Gold-flash
50801W00-NPA-S-HF	LCP,UL94V-0	藕/Black	Phosphor Bronze/Matte Tin-plated	Brass/Matte Tin-plated
50801W00-NPA-S-5A-HF	LCP,UL94V-0	藕/Black	Phosphor Bronze/Gold-flash	Brass/Gold-flash
50801W00-NPA-S-5A-HF-NK	LCP,UL94V-0	藕/Beige	Phosphor Bronze/Gold-flash	Brass/Gold-flash

REV.	REVISION RECORD	DATE	GENERAL TOLERANCES	SCALE:	NAME	DATE
C4	4T无卤料改6T无卤料	12.02.27	LINEAR: 0.0±0.25 ANGLES: X° REF±6°	1:1	APPROVED	
C5	新增黑色无卤不印字规格	12.04.21		LINEAR: 0.00±0.15 ANGLES: X° ±3°		DESIGNER
C6	WN1609200151	16.09.20	UNIT: MM			DRAWN
D0	依WN1812120229设变	18.12.12	SIZE: A1			

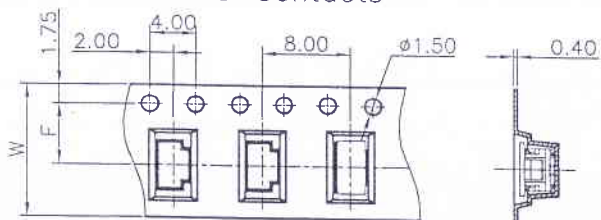
JCTC® 胜蓝科技股份有限公司
 TERMINAL&CONNECTORS 东莞市富智达电子科技有限公司

PART NO: 50801W00-NPX-S-XX-XX
 DWG NO: ENDE05
 REV: D0 SHEET: 1/2

TITLE: 0.8刺破 180° WAFER CONN

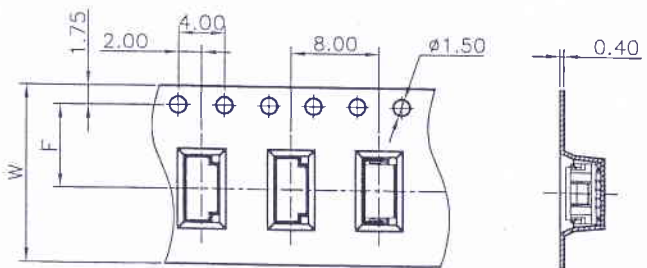
RoHS

02~03 Contacts



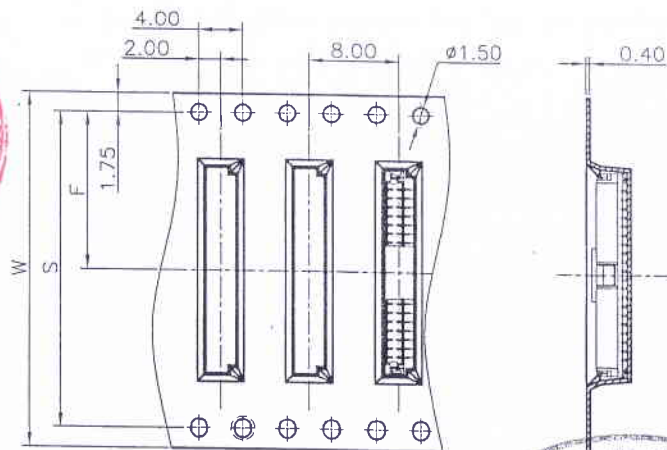
Unreeling direction

04~17 Contacts

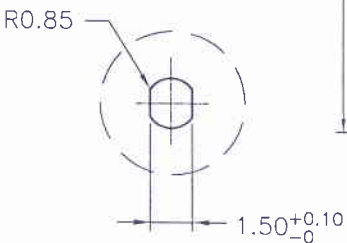


Unreeling direction

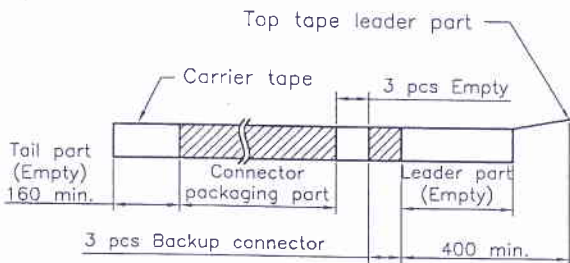
18~24 Contacts



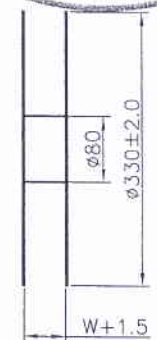
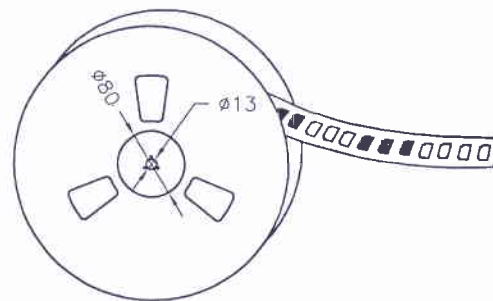
Unreeling direction



Number of Contacts	W±0.3	F±0.1	S±0.1	Q'ty/Reel
02P	16	7.50		2,000
03P	16	7.50		2,000
04P	16	7.50		2,000
05P	16	7.50		2,000
06P	16	7.50		2,000
07P	16	7.50		2,000
08P	24	11.50		2,000
09P	24	11.50		2,000
10P	24	11.50		2,000
11P	24	11.50		2,000
12P	24	11.50		2,000
13P	24	11.50		2,000
14P	24	11.50		2,000
15P	24	11.50		2,000
16P	24	11.50		2,000
17P	24	11.50		2,000
18P	32	14.20	28.40	2,000
19P	32	14.20	28.40	2,000
20P	32	14.20	28.40	2,000
21P	32	14.20	28.40	2,000
22P	32	14.20	28.40	2,000
23P	32	14.20	28.40	2,000
24P	32	14.20	28.40	2,000



Top tape leader part



NOTE:
Material: Transparent
Anti-static Polystyrene.

REV.	REVISION RECORD	DATE
C0	新图面发行	10.06.05
C1	整理图面	16.09.20

GENERAL TOLERANCES	
LINER	ANGLES
0.0 ± 0.25	X° REF ± 6°
0.00 ± 0.15	X° ± 3°
0.000 ± 0.08	X° X' ± 2°

SCALE:	NAME	DATE
1:1		
APPROVED	<i>[Signature]</i>	16.09.20
DESIGNER	卢小峰	16.09.20
DRAWN	卢小峰	16.09.20

JCTC® 胜蓝科技股份有限公司
TERMINAL&CONNECTORS 东莞市富智达电子科技有限公司
TITLE: 0.8刺破 180° WAFER CONN

PART NO:
50801W00-NPX-S-XX-XX
DWG NO:
ENDE05
REV:
C1
SHEET:
2/2