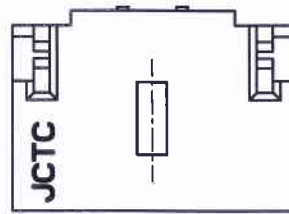
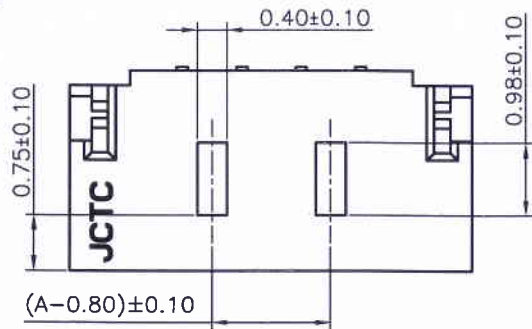
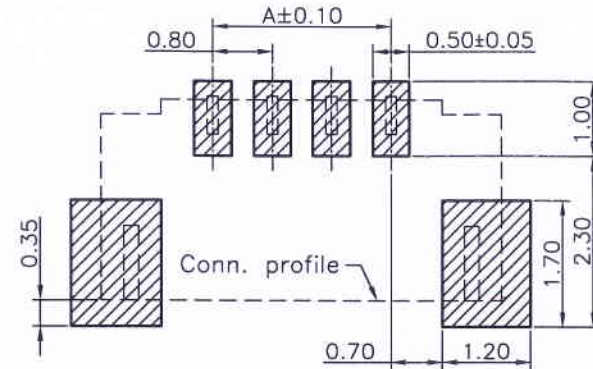


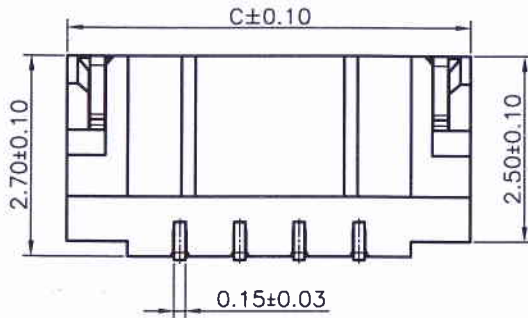
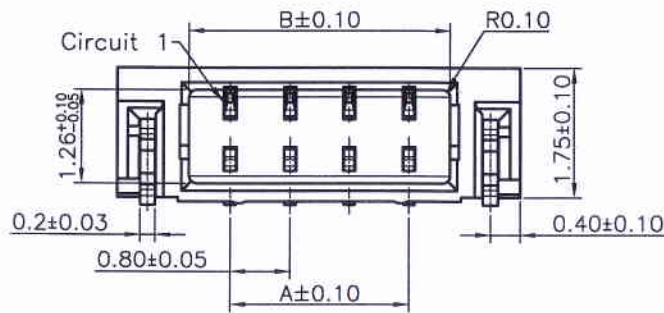
RoHS



2P



P.C.B. LAYOUT



Specifications:
 Rated Voltage : 30V AC/DC
 Rated Current : 0.5A AC,DC
 Withstand Voltage : 200V AC/minute
 Contact Resistance : 30mΩ(MAX.)
 Insulation Resistance : 100MΩ(MIN.)
 Temperature Range : -25°C~+85°C

50801W90-NPX-S-5A-HF-S2
 ① ② ③④⑤⑥ ⑦ ⑧

- ① Series No.
- ② W90 : Side Contact
W00 : Up Contact
- ③ No. of Circuits
- ④ A : Product color(A--Y)
Blank : Natural type
- ⑤ S: SMT Type
- ⑥ 5A: Pin Gold-flash
Solder Tabs Gold-flash
- ⑦ HF : Halogen Free
- ⑧ S2 : S2 Type

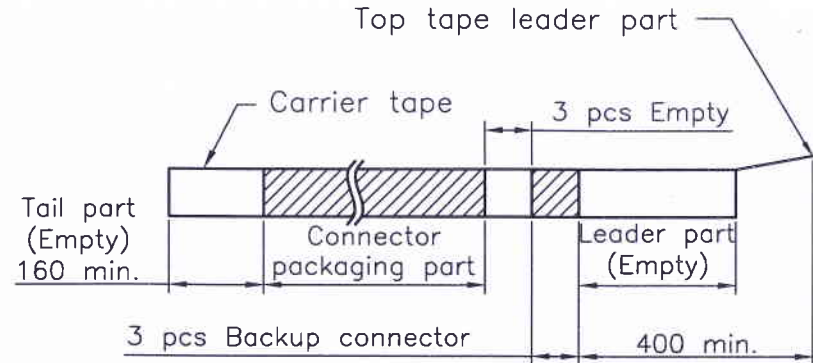
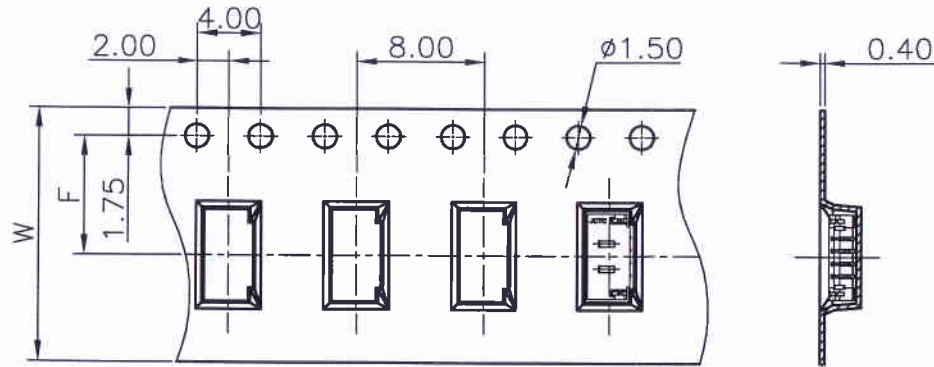
Dimensional Ordering Information:			
Part No	Dimensions		
	A	B	C
2P	--	1.90	3.80
3P	1.60	2.70	4.60
4P	2.40	3.50	5.40
5P	3.20	4.30	6.20
6P	4.00	5.10	7.00
7P	4.80	5.90	7.80
8P	5.60	6.70	8.60
9P	6.40	7.50	9.40
10P	7.20	8.30	10.20

Part No.	Material	Color	Pin Material	Solder Tabs
50801W90-NPA-S-5A-HF-S2	LCP,UL94V-0	绿/Black	Phosphor Bronze/Gold-flash	Brass/Gold-flash

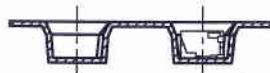
REV.	REVISION RECORD	DATE	GENERAL TOLERANCES	SCALE:	NAME	DATE	JCTC® 胜蓝科技股份有限公司 TERMINAL&CONNECTORS 东莞市富智达电子科技有限公司	PART. NO: 50801W90-NPA-S-5A-HF-S2
CO	新图面发行	13. 12. 04	LINEAR	1:1	APPROVED			
C1	变更公司名称	17. 03. 20	0.0±0.25	X° REF±6°	DESIGNER			
			0.00±0.15	X° ±3°	DRAWN		TITLE: 0.8刺破 90° WAFER CONN	REV: C1
			0.000±0.08	X° X'±2°				SHEET: 1/2

RoHS

2~10 Contacts



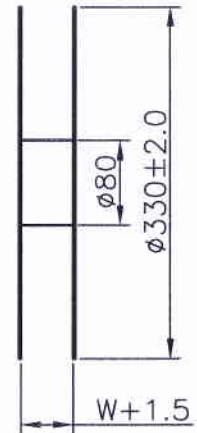
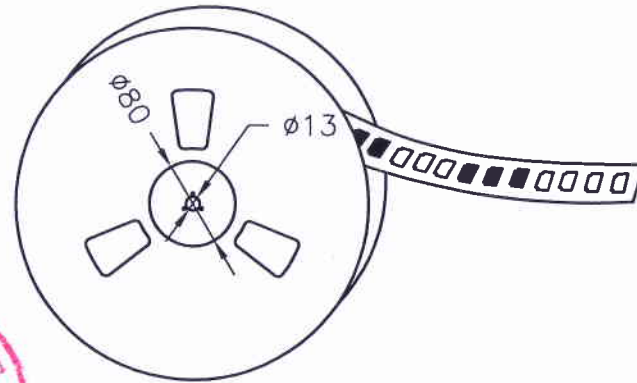
Unreeling direction →



NOTE:

Material: Transparent Anti-static Polystyrene.

Number of Contacts	W±0.3	F±0.1	S±0.1	Q'ty/Reel
2P	16	7.50		3,500
3P	16	7.50		3,500
4P	16	7.50		3,500
5P	16	7.50		3,500
6P	16	7.50		3,500
7P	16	7.50		3,500
8P	24	11.50		3,500
9P	24	11.50		3,500
10P	24	11.50		3,500



REV.	REVISION RECORD	DATE	GENERAL TOLERANCES	SCALE:	NAME	DATE	PART. NO: 50801W90-NPA-S-5A-HF-S2
CO	新图面发行	13. 12. 04	LINEAR	1:1			
C1	变更公司名称	17. 03. 20	0.0 ± 0.25	APPROVED	卢小锋	17.03.20	REV: C1
			0.00 ± 0.15	DESIGNER	卢小锋	17.03.20	SHEET: 2/2
			0.000 ± 0.08	DRAWN	卢小锋	17.03.20	

JCTC 胜蓝科技股份有限公司
TERMINAL&CONNECTORS 东莞市富智达电子科技有限公司

TITLE: 0.8刺破 90° WAFER CONN

1

2

3

4

5

6

7

8