

- 50801W90-NPX-S-XX-XX
① ② ③④⑤⑥⑦
- ① Series No.
 - ② W90 : Side Contact
W00 : Up Contact
 - ③ No. of Circuits
 - ④ A : Product color(A--Y)
Blank : Natural type
 - ⑤ S: SMT Type
 - ⑥ 5A: Pin Gold-flash
Solder Tabs Gold-flash
 - ⑦ HF : Halogen Free

Dimensional Ordering Information:			
Circuits Part No	Dimensions		
	A	B	C
2P		1.90	3.80
3P	1.60	2.70	4.60
4P	2.40	3.50	5.40
5P	3.20	4.30	6.20
6P	4.00	5.10	7.00
7P	4.80	5.90	7.80
8P	5.60	6.70	8.60
9P	6.40	7.50	9.40
10P	7.20	8.30	10.20
11P	8.00	9.10	11.00
12P	8.80	9.90	11.80
13P	9.60	10.70	12.60
14P	10.40	11.50	13.40
15P	11.20	12.30	14.20
16P	12.00	13.10	15.00
17P	12.80	13.90	15.80
18P	13.60	14.70	16.60
19P	14.40	15.50	17.40
20P	15.20	16.30	18.20
21P	16.00	17.10	19.00
22P	16.80	17.90	19.80
23P	17.60	18.70	20.60
24P	18.40	19.50	21.40

Specifications:
 Rated Voltage : 30V AC/DC
 Rated Current : 0.5A AC,DC
 Withstand Voltage : 200V AC/minute
 Contact Resistance : 30mΩ(MAX.)
 Insulation Resistance : 100MΩ(MIN.)
 Temperature Range : -25°C~+85°C
 The product using material and processing must conform to the "WI-PZ-142"HSF technical standard control requirements

Part No.	Material	Color	Pin Material	Solder Tabs
50801W90-NP-S	Nylon 6T,UL94V-0	Beige	Phosphor Bronze/Matte Tin-plated	Brass/Matte Tin-plated
50801W90-NP-S-5A	Nylon 6T,UL94V-0	Beige	Phosphor Bronze/Gold-flash	Brass/Gold-flash
50801W90-NP-S-HF	LCP,UL94V-0	无铅/Beige	Phosphor Bronze/Matte Tin-plated	Brass/Matte Tin-plated
50801W90-NP-S-HF-NK	LCP,UL94V-0	无铅/Beige	Phosphor Bronze/Matte Tin-plated	Brass/Matte Tin-plated
50801W90-NP-S-5A-HF-01	LCP,UL94V-0	无铅/Beige	Phosphor Bronze/Gold-flash	Brass/Gold-flash
50801W90-NPA-S-HF	LCP,UL94V-0	无铅/Black	Phosphor Bronze/Matte Tin-plated	Brass/Matte Tin-plated
50801W90-NPA-S-HF-NK	LCP,UL94V-0	无铅/Black	Phosphor Bronze/Matte Tin-plated	Brass/Matte Tin-plated
50801W90-NPA-S-5A-HF	LCP,UL94V-0	无铅/Black	Phosphor Bronze/Gold-flash	Brass/Gold-flash
50801W90-NPA-S-5A-HF-NK	LCP,UL94V-0	无铅/Black	Phosphor Bronze/Gold-flash	Brass/Gold-flash

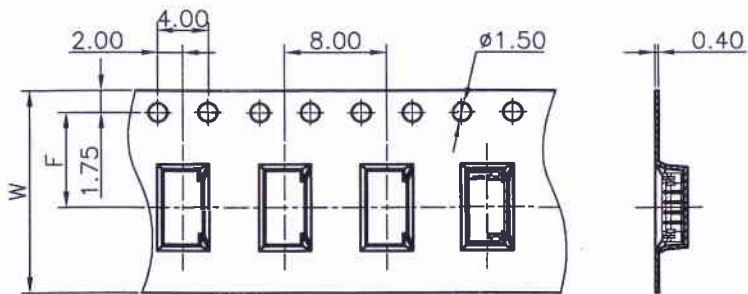
REV.	REVISION RECORD	DATE	GENERAL TOLERANCES	SCALE:	NAME	DATE	PART NO:
D0	WN1305240073	13.05.24	LINER	1:1			50801W90-NPX-S-XX-XX
D1	WN1606220086	16.06.22	0.0±0.25	APPROVED			DWG NO:
D2	变更公司名称	17.03.20	0.00±0.15	DESIGNER			ENDE05
D3	依WN1812120229设变	18.12.12	0.000±0.08	DRAWN	罗春成	18.12.12	REV: D3 SHEET: 1/2

JCTC® 胜蓝科技股份有限公司
 TERMINAL&CONNECTORS 东莞市富智达电子科技有限公司

TITLE: 0.8刺破 90° WAFER CONN

RoHS

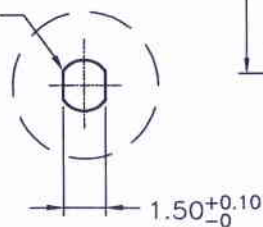
02~17 Contacts



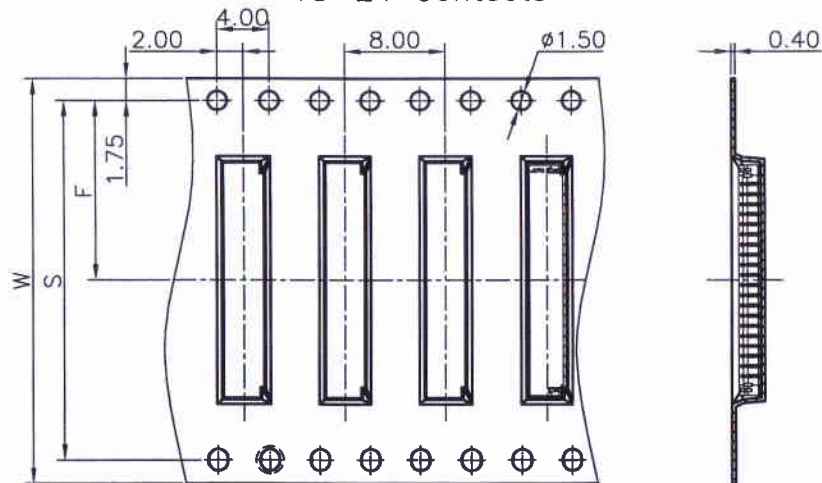
Unreeing direction



R0.85



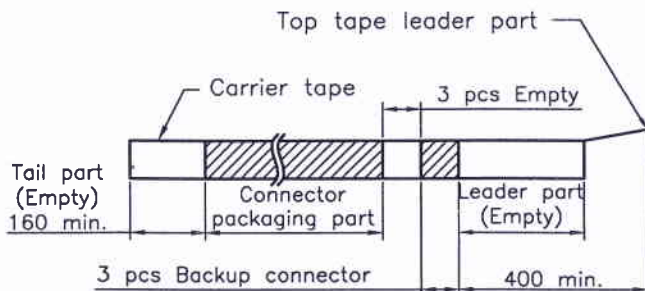
18~24 Contacts



Unreeing direction

Number of Contacts	W±0.3	F±0.1	S±0.1	Q'ty/Reel
2P	18	7.50		3,500
3P	18	7.50		3,500
4P	18	7.50		3,500
5P	18	7.50		3,500
6P	18	7.50		3,500
7P	18	7.50		3,500
8P	24	11.50		3,500
9P	24	11.50		3,500
10P	24	11.50		3,500
11P	24	11.50		3,500
12P	24	11.50		3,500
13P	24	11.50		3,500
14P	24	11.50		3,500
15P	24	11.50		3,500
16P	24	11.50		3,500
17P	24	11.50		3,500
18P	32	14.20	28.40	3,500
19P	32	14.20	28.40	3,500
20P	32	14.20	28.40	3,500
21P	32	14.20	28.40	3,500
22P	32	14.20	28.40	3,500
23P	32	14.20	28.40	3,500
24P	32	14.20	28.40	3,500

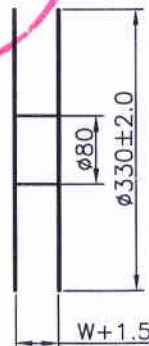
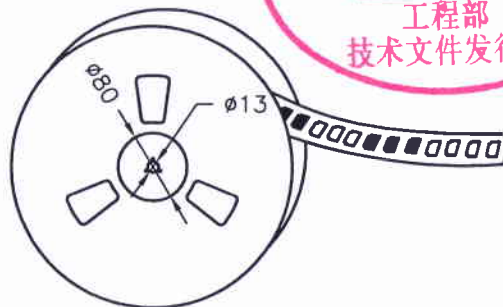
Top tape leader part



Tail part (Empty) 160 min.

NOTE:

Material: Transparent Anti-static Polystyrene.



REV.	REVISION RECORD	DATE	GENERAL TOLERANCES	SCALE:	NAME	DATE	PART. NO:
CO	新图面发行	10.06.05	LINEAR	1:1			50801W90-NPX-S-XX-XX
C1	变更公司名称	17.03.20	0.0±0.25	APPROVED	李卫华	2017.03.20	DWG. NO:
			X° REF±6°	DESIGNER	卢小锋	17.03.20	ENDE05
			0.00±0.15	X° ±3°			REV: C1 SHEET: 2/2
			0.000±0.08	X° X'±2°	DRAWN	卢小锋	

JCTC® 胜蓝科技股份有限公司
 TERMINAL&CONNECTORS 东莞市富智达电子科技有限公司
 TITLE: 0.8刺破 90° WAFER CONN