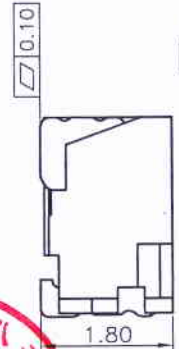
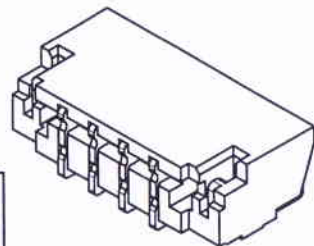
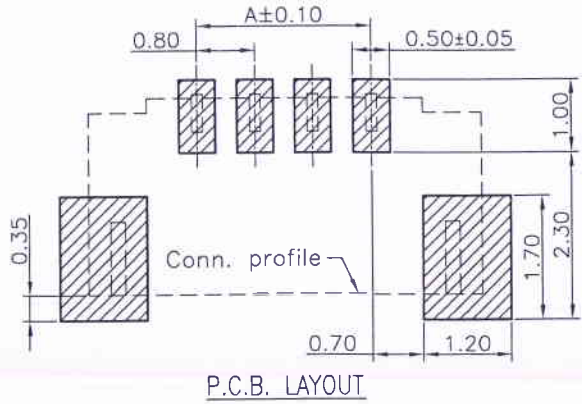
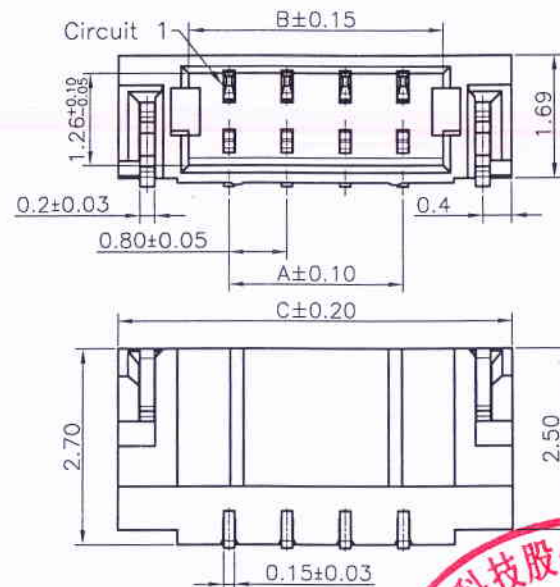


1 2 3 4 5 6 7 8

A
B
C
D
E
F
G
H



Specifications:
 Rated Voltage : 30V AC/DC
 Rated Current : 0.5A AC,DC
 Withstand Voltage : 200V AC/minute
 Contact Resistance : 30mΩ(MAX.)
 Insulation Resistance : 100MΩ(MIN.)
 Temperature Range : -25°C~+85°C
 The product using material and processing must conform to the "WI-PZ-142" HSF technical standard control requirements



50801W90-NPX-S-XX-XX-R1
 ① ② ③④⑤⑥ ⑦ ⑧

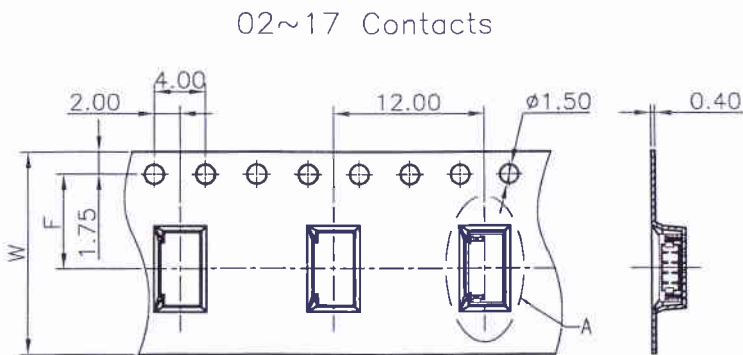
- ① Series No.
- ② W90 : Side Contact
W00 : Up Contact
- ③ No. of Circuits
- ④ A : Product color(A--Y)
Blank : Natural type
- ⑤ S: SMT Type
- ⑥ 5A: Pin Gold-flash
Solder Tabs Gold-flash
Blank : Matte Tin-plated
- ⑦ HF : Halogen Free
- ⑧ R1 : Reel pack

Dimensional Ordering Information:			
Circuits Part No	Dimensions		
	A	B	C
2P		1.90	3.80
3P	1.60	2.70	4.60
4P	2.40	3.50	5.40
5P	3.20	4.30	6.20
6P	4.00	5.10	7.00
7P	4.80	5.90	7.80
8P	5.60	6.70	8.60
9P	6.40	7.50	9.40
10P	7.20	8.30	10.20
11P	8.00	9.10	11.00
12P	8.80	9.90	11.80
13P	9.60	10.70	12.60
14P	10.40	11.50	13.40
15P	11.20	12.30	14.20
16P	12.00	13.10	15.00
17P	12.80	13.90	15.80
18P	13.60	14.70	16.60
19P	14.40	15.50	17.40
20P	15.20	16.30	18.20
21P	16.00	17.10	19.00
22P	16.80	17.90	19.80
23P	17.60	18.70	20.60
24P	18.40	19.50	21.40

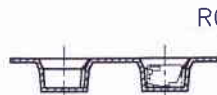
Part No.	Material	Color	Pin Material	Solder Tabs
50801W90-NP-S-HF-NK-01-R1	LCP,UL94V-0	绿/Beige	Phosphor Bronze/Matte Tin-plated	Brass/Matte Tin-plated
50801W90-NPA-S-HF-NK-R1	LCP,UL94V-0	绿/Black	Phosphor Bronze/Matte Tin-plated	Brass/Matte Tin-plated
50801W90-NPA-S-5A-HF-NK-R1	LCP,UL94V-0	绿/Black	Phosphor Bronze/Gold-flash	Brass/Gold-flash

REV.	REVISION RECORD	DATE	GENERAL TOLERANCES	SCALE:	NAME	DATE	JCTC ® 胜蓝科技股份有限公司 TERMINAL&CONNECTORS 东莞市富智达电子科技有限公司	PART. NO:
A0	新图面发行	18.07.10	LINEAR	1:1				50801W90-NPX-S-XX-XX-R1
			ANGLES	APPROVED				DWG. NO:
			0.0±0.25 X° REF±6°	DESIGNER				ENDE05
			UNIT: MM	0.60±0.15 X° ±3°	DRAWN	黄小锋	18.07.10	TITLE:
			SIZE: A4	0.000±0.08 X° X°±2°				0.8刺破 90° WAFER CONN
								REV: A0 SHEET: 1/2

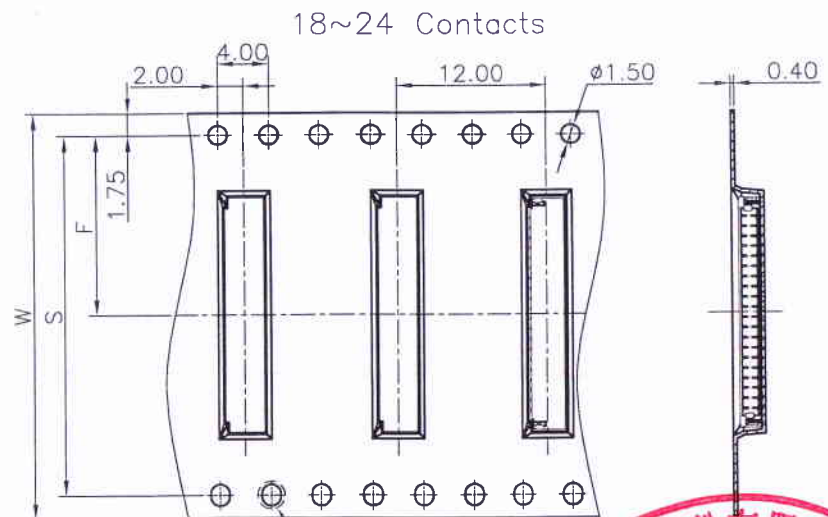
1 2 3 4 5 6 7 8



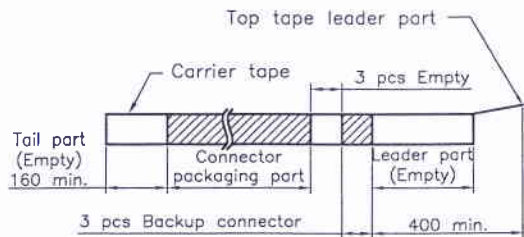
Unreeling direction →



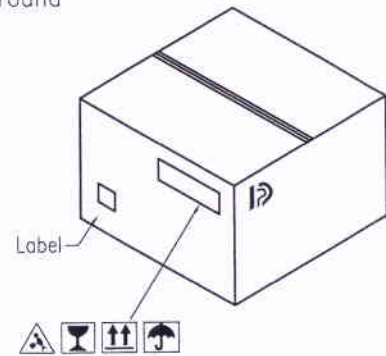
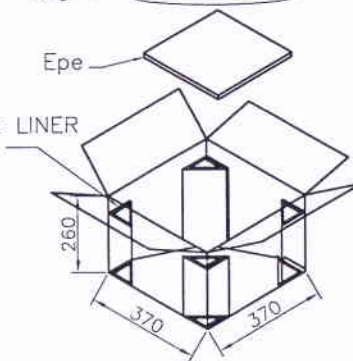
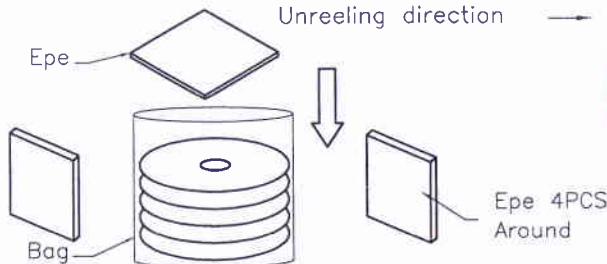
DETAIL A
SCALE 3:1



Unreeling direction →



DETAIL B
SCALE 2:1



NOTE:
Material: Transparent
Anti-static Polystyrene.

Number of Contacts	W±0.3	F±0.1	S±0.1	Q'ty/Reel	Q'ty/Box
2P~7P	16	7.50		2,500	22,500
8P~17P	24	11.50		2,500	15,000
18P~24P	32	14.20	28.40	2,500	12,500

REV.	REVISION RECORD	DATE	GENERAL TOLERANCES	SCALE:	NAME	DATE	PART. NO:
A0	新图面发行	18.07.10	LINEAR	1:1			50801W90-NPX-S-XX-XX-R1
			ANGLES	APPROVED			DWG. NO:
			0.0±0.25	X° REF±6°			ENDE05
			UNIT: MM	DESIGNER			REV: A0
			0.00±0.15	X° ±3°			SHEET: 2/2
			SIZE: A4	DRAWN			
			0.000±0.08	X° X'±2°			

JCTC® 胜蓝科技股份有限公司
TERMINAL&CONNECTORS 东莞市富智达电子科技有限公司

TITLE: 0.8刺破 90° WAFER CONN