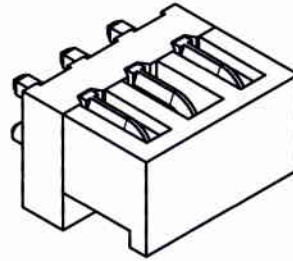


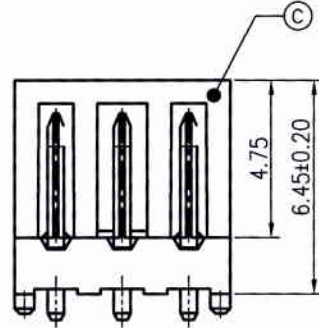
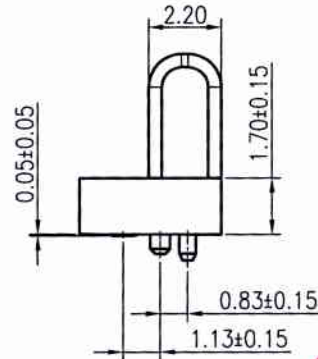
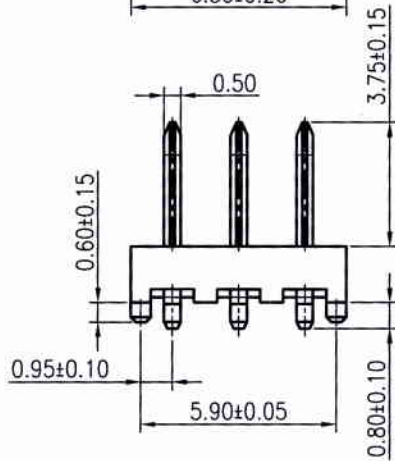
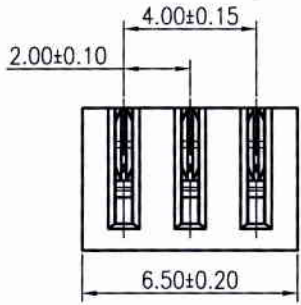
52006W00-3PA-5C-HF-NK-02-R

① ② ③④⑤⑥⑦⑧⑨

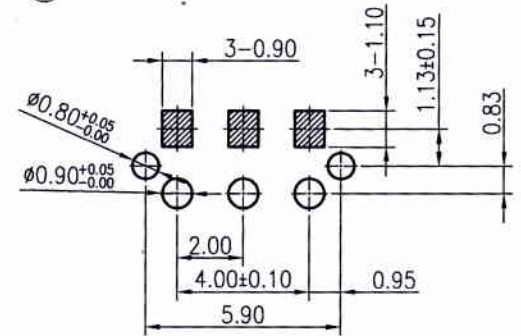
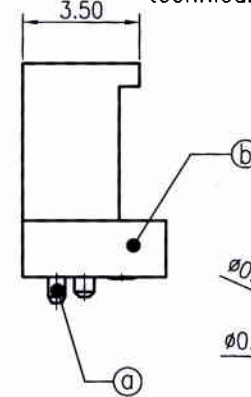
- ① Series No.
- ② W90 : Side Contact
W00 : Up Contact
- ③ No. of Circuits
- ④ A: Black
- ⑤ 5C: Gold-plated 3u"
- ⑥ HF: Halogen Free
- ⑦ NK: No Mark
- ⑧ 02: 02 Type
- ⑨ R : Reel pack



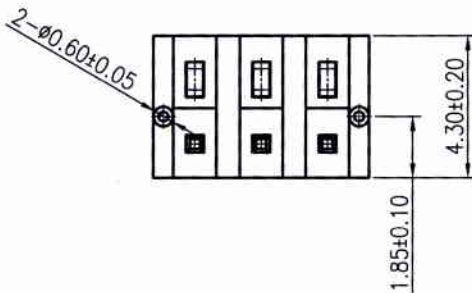
Specifications:
 Rated Voltage : 30V AC/DC
 Rated Current : 3A AC,DC
 Withstand Voltage : 1000V AC/minute
 Contact Resistance : 30mΩ(MAX.)
 Insulation Resistance : 1000MΩ(MIN.)
 Temperature Range : -20°C~+80°C
 Durability : 400 cycles
 The product using material and processing must conform to the "WI-PZ-142" HSF technical standard control requirements



WITH CAP

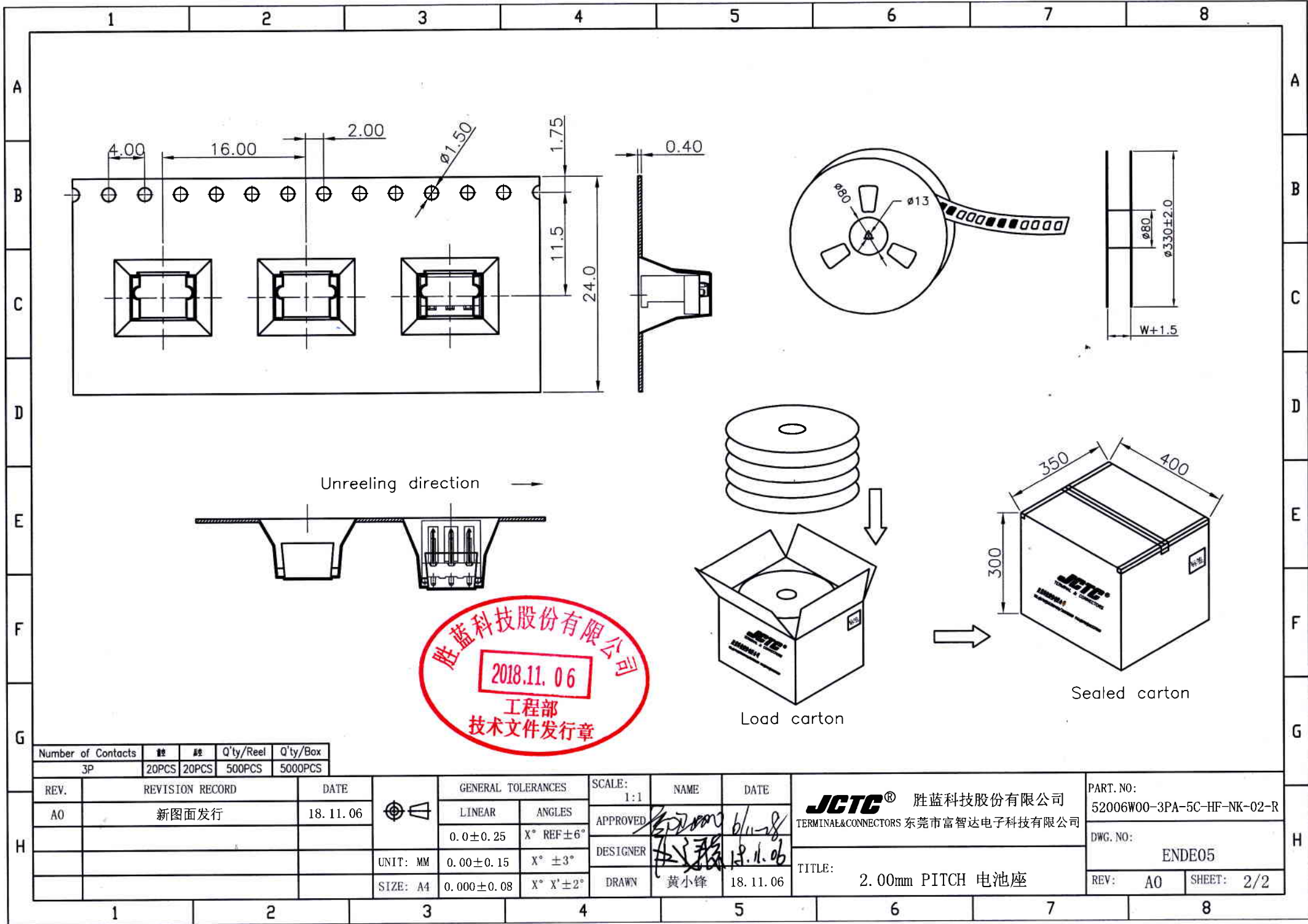


Recommended P.C.Board Layout

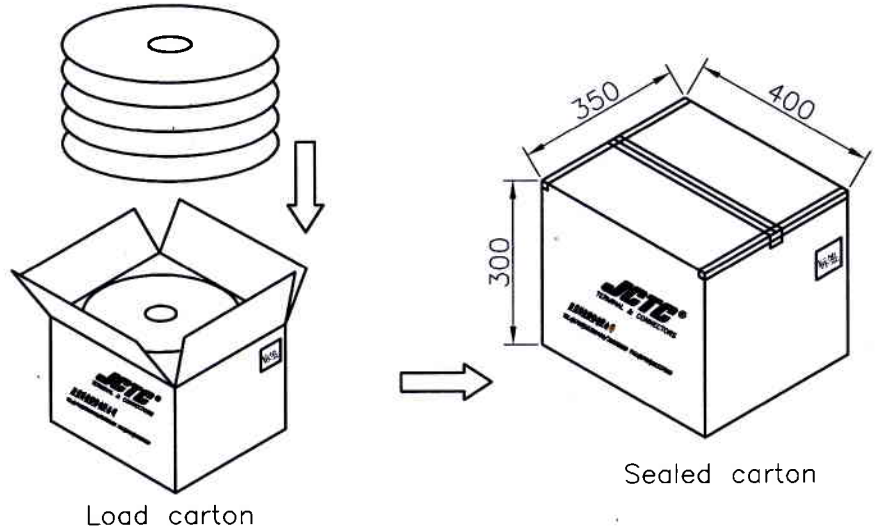


Part No.	No.	Description	Material	Color
52006W00-3PA-5C-HF-NK-02-R	a	PIN Terminal	Brass/Gold-plated 3u" on contact area, Gold-flash on solder area	—
	b	Housing	LCP,UL94V-0	Black
	c	CAP	LCP,UL94V-0	Black

REV.	REVISION RECORD	DATE	GENERAL TOLERANCES	SCALE:	NAME	DATE	JCTC® 胜蓝科技股份有限公司 TERMINAL&CONNECTORS 东莞市富智达电子科技有限公司	PART. NO:
AO	新图面发行	18.11.06	LINEAR 0.0±0.25	1:1	APPROVED	18.11.06		52006W00-3PA-5C-HF-NK-02-R
			0.00±0.15	X° REF±6°	DESIGNER	18.11.06	DWG. NO:	
			UNIT: MM	X° ±3°	DRAWN	18.11.06	TITLE:	ENDE05
			SIZE: A4	X° X'±2°			2.00mm PITCH 电池座	REV: AO SHEET: 1/2



胜蓝科技股份有限公司
 2018.11.06
 工程部
 技术文件发行章



Number of Contacts	数量	规格	Q'ty/Reel	Q'ty/Box
3P	20PCS	20PCS	500PCS	5000PCS

REV.	REVISION RECORD	DATE	GENERAL TOLERANCES	SCALE:	NAME	DATE	JCTC ® 胜蓝科技股份有限公司 TERMINAL&CONNECTORS 东莞市富智达电子科技有限公司	PART. NO:
A0	新图面发行	18.11.06	LINEAR 0.0±0.25 0.00±0.15 0.000±0.08 ANGLES X° REF±6° X° ±3° X° X'±2°	1:1	APPROVED: <i>[Signature]</i> DESIGNER: <i>[Signature]</i> DRAWN: 黄小锋	18.11.06		52006W00-3PA-5C-HF-NK-02-R
							TITLE:	DWG. NO:
							2.00mm PITCH 电池座	ENDE05
							REV: A0	SHEET: 2/2