

HOW TO WORD

70500C12-FP X XX - U22-20

Plastic color:  
A:black K:white H:purple

Finish spec:  
B5: Au 30U"  
0G: Au 15U"  
5E: Au 5U"  
0A: Au 1U"

NOTE:

1.MATERIAL:

- 1.1 INSULATOR: HIGH TEMPERATURE PLASTIC
- 1.2 CONTACT: COPPER ALLOY(T=0.15mm)
- 1.3 SHELL: STEEL(T=0.15mm)

2.ELECTRICAL CHARACTERISTICS;

- 2.1 CONTACT RESISTANCE: 40mΩ Max FOR INITIAL. 10mΩ CHANGE AFTER TEST. MEASURE AT 20mV, 100mA.
- 2.2 CONTACT CURRENT RATING: 2A Max FOR VBUS/GND PIN; 0.9A Max FOR Other PIN.
- 2.3 DIELECTRIC WITHSTANDING VOLTAGE: 100V AC R.M.S.
- 2.4 INSULATION RESISTANCE 100MΩ Min
- 2.5 OPERATING TEMPERATURE: -40°C~85°C

3 MECHANICAL CHARACTERISTICS:

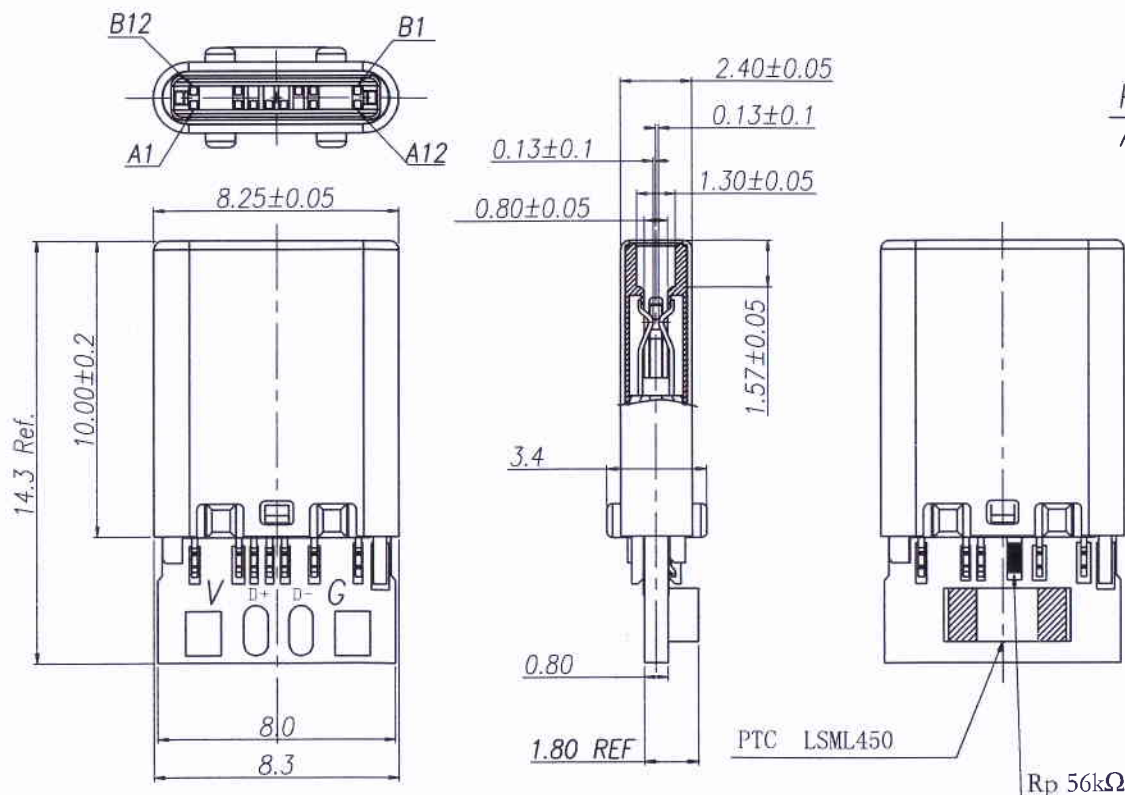
- 3.1 MATING FORCE: 5~20 N.
- 3.2 UNMATED FORCE: 6~20N AFTER TEST
- 3.3 DURABILITY: 10000 CYCLES, 500 CYCLES/H

4.PLATING

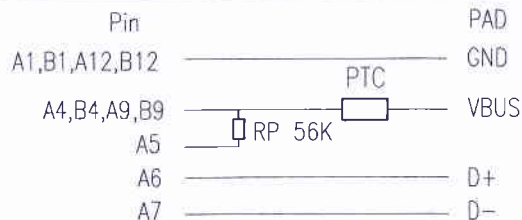
CONTACT: CONTACT AREA PLATING Au ,SOLDER AREA PLATING 60U" MATTING Sn.

SHELL/BUCKLE:20U" Min PLATING OVER ALL

5.The product using material and processing must conform to the "WI-PZ-142"HSF technical standard control requirements



PCB WIRING DIAGRAM



REV.	REVISION RECORD	DATE	GENERAL TOLERANCES		SCALE:	NAME	DATE	PART. NO:
A0	新图面发行	2018. 10. 19	LINEAR	ANGLES	1:1			70500C12-FPXXX-U22-20
			0.0±0.30	X° REF±6°	APPROVED	方超	2018.10.17	DWG. NO:
			0.00±0.20	X° ±3°	DESIGNER	方超	2018.10.17	ENDE05
			UNIT: MM	X° X'±2°	DRAWN	XG	2018. 10. 19	REV: A0 SHEET: 1/1
			SIZE: A4	0.000±0.10				



胜蓝科技股份有限公司  
东莞市富智达电子科技有限公司

TITLE:  
12PIN USB C TYPE 2.0 PLUG Rp56k(带PTC)