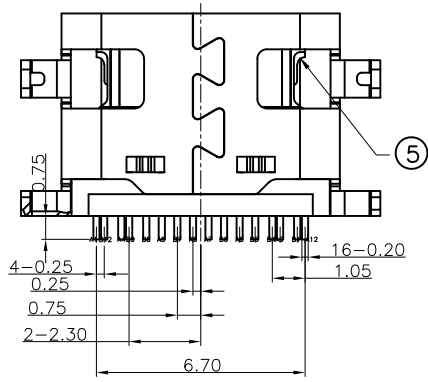
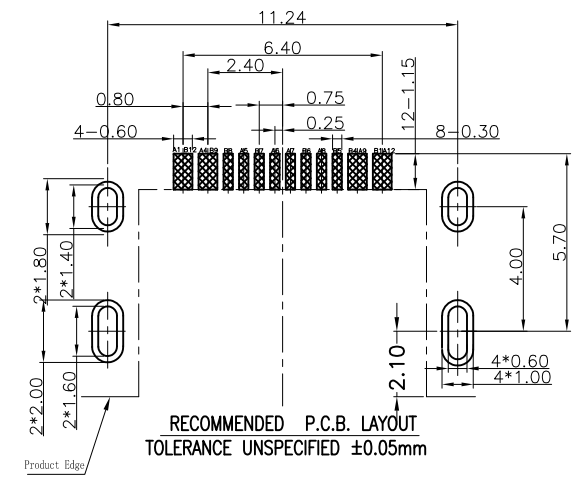
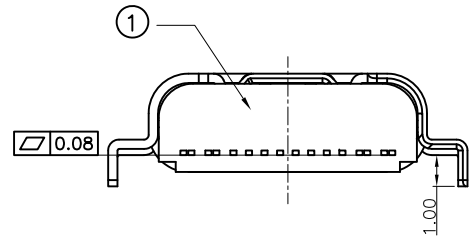
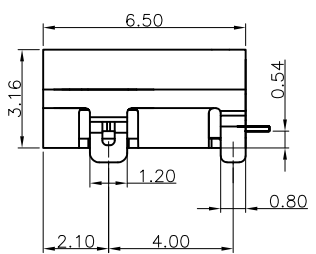
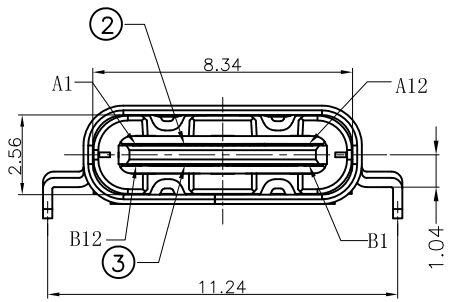


REV.	DESCRIPTION	REVISED	DATE
A0	NEW RELEASE	JANNE	2019.7.22
A1	新增凸包	JANNE	2019.12.10

- NOTES:
SPECIFICATION:
- CURRENT RATING: 5.0A MAX
 - VOLTAGE: 100 VAC
 - TEMPERATURE RANGE: -30 °C ~ 85 °C
 - CONTACT RESISTANCE: 40 MILLIONHM MAX
 - INSULATION RESISTANCE: 100 MEGOHMS MIN.
 - INSERTION FORCE : 5N~20N
 - UNMATING FORCE: 8N~20N
 - DURABILITY: 10,000 CYCLES



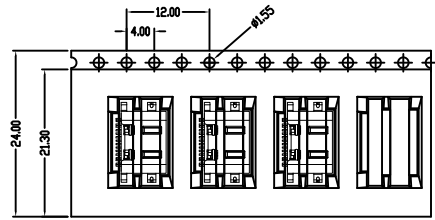
PIN	SIGNAL NAME	PIN	SIGNAL NAME	NO.	DESCRIPTION	MATERIAL	REMARKS	QTY
A1	GND	B12	GND	6	SHELL	STAINLESS STEEL	NI Plated	1PCS
A4	VBUS	B9	VBUS	5	SHIELDING PLATE	STAINLESS STEEL	---	1PCS
A5	CC1	B8	SBU2	4	MD	HIGH TEMPERATURE PLASTIC	BLACK	1PCS
A6	DP1	B7	DN2	3	CONTACT	COPPER ALLOY	Au/Ni Plated	1SET
A7	DN1	B6	DP2	2	CONTACT	COPPER ALLOY	Au/Ni Plated	1SET
A8	SBU1	B5	CC2	1	HOUSING	HIGH TEMPERATURE PLASTIC	BLACK	1PCS
A9	VBUS	B4	VBUS					
A12	GND	B1	GND					

一般公差 GENERAL TOLERANCE		绘图 DR.	Xie Liang	胜蓝科技股份有限公司 东莞市富智达电子科技有限公司 料号 PART NO. 70500C16-FRAA30C-R01 文件编号 NUMBER ENDPT01
X ±0.15	X' ±2'	校对 CHK.	—	
X.X ±0.10	X.X' ±1'	审核 CHK.		
X.XX ±0.05	X.XX' ±0.5'	核准 APPD.	Janne	
单位 UNIT mm		品名 TITLE Type C REC. 16PIN, L6.5, SINK PLATE 0.54 CONN.		比例 SCALE 1:1

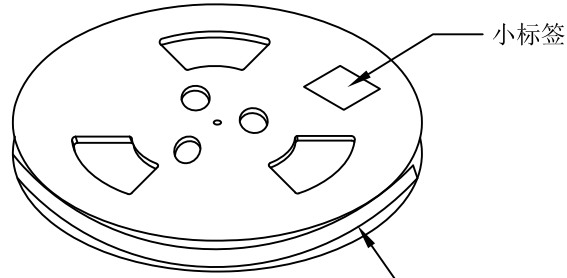
REV.	DESCRIPTION	REVISED	DATE
A0	NEW RELEASE	JANNE	2019.7.22



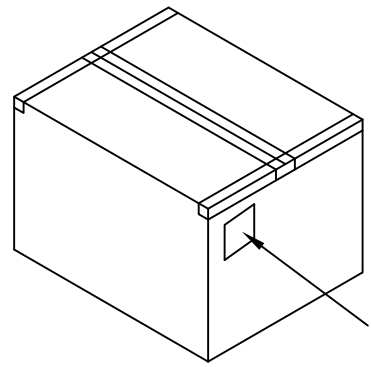
USB C F TYPE CONN.



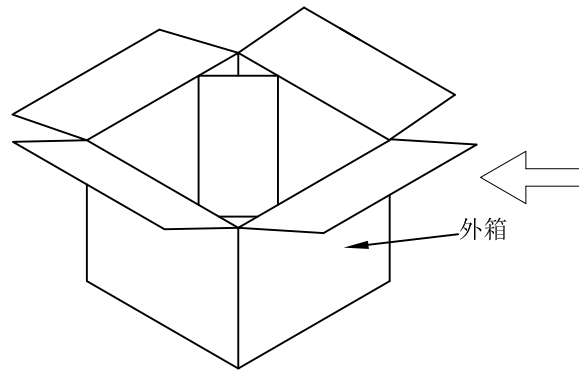
① 产品入载带示意图



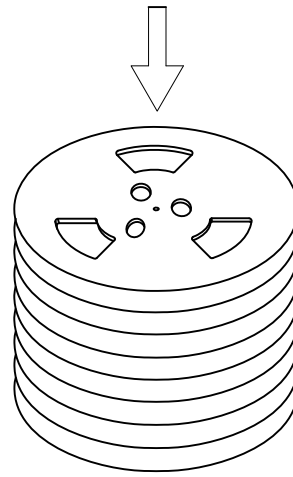
② 卷盘贴标签示意图



⑤ 外箱封箱示意图



④ 产品入外箱示意图



③ 10盘产品叠层示意图

NOTE:

- 1. QUANTITY/REEL: 1500 PCS
数量/卷: 1500 PCS
- QUANTITY/INNER CARTON: 1500 X 10 = 15000 PCS
数量/箱: 1500 X 10 = 15000 PCS
- 2. FREE 18 CAVE IN THE FRONT CARRIER AND FREE 18 CAVE IN THE END CARRIER.
包装带内圈空18格, 外圈空18格。

9	Carton	K=K		1500
8	Triangle	A=A		
7	Carton label			1
6	Parperboard	PS		10
5	Reel	PS		10
4	Label			2
3	Cover Tape	PET		1
2	Carrier Tape	PET		4
1	Connector			1
ITEM	DESC.	MATERIAL	REMARKS	QTY

一般公差 GENERAL TOLERANCE		绘图 DR.	Xie Liang
X	±0.15	X'	±2'
X.X	±0.10	X.X'	±1'
X.XX	±0.05	X.XX'	±0.5'
单位 UNIT	mm	校对 CHK.	—
		审核 CHK.	Sky
		核准 APPD.	Janne

JCTC® 胜蓝科技股份有限公司
TERMINAL & CONNECTORS 东莞市富智达电子科技有限公司

品名 TITLE
Type C REC. 单排16P L6.5, 沉板0.54 CONN.
包装规范

料号 PART NO. 70500C16-FRAA30C-R01		
文件编号 NUMBER ENDE05		
比例 SCALE 1:1	SHEET 1/1	版次 REV. A0