

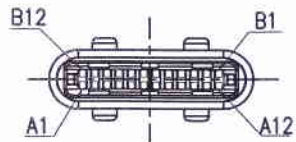
# RoHS

## HOW TO WORD

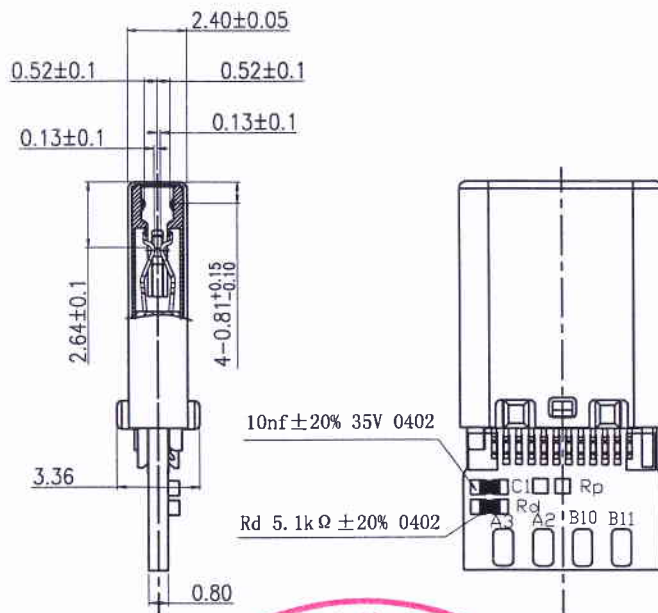
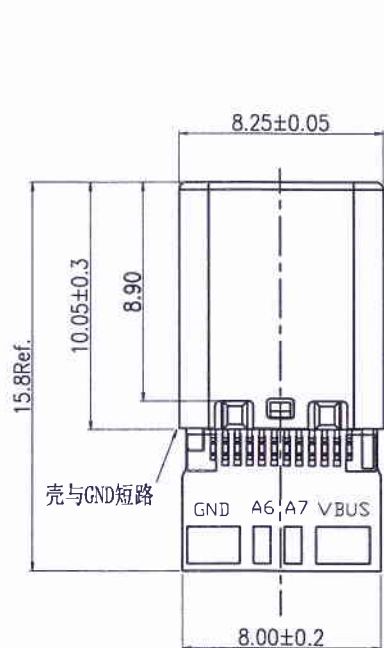
70500C24-FP X XX - U30-66

Plastic color:  
A:black K:white

Finish spec:  
B5: Au 30"  
0G: Au 15"  
5E: Au 5"  
0A: Au 1"



PCB WIRING DIAGRAM	
Pin	PAD
A1,B1,A12,B12,SHELL	GND
A4,B4,A9,B9	VBUS
A5	
A6	A6
A7	A7
A2	A2
A3	A3
B11	B11
B10	B10



### NOTE:

#### 1.MATERIAL:

- 1.1 INSULATOR: HIGH TEMPERATURE PLASTIC UL 94 V-0;
- 1.2 CONTACT: COPPER ALLOY(T=0.15mm)
- 1.3 SHELL: STEEL(T=0.15mm)

#### 2.ELECTRICAL CHARACTERISTICS:

- 2.1 CONTACT RESISTANCE: 40mΩ Max FOR INITIAL. 10mΩ CHANGE AFTER TEST. MEASURE AT 20mV, 100mA.
- 2.2 CONTACT CURRENT RATING: 3A Max FOR VBUS/GND PIN; 0.9A Max FOR Other PIN.
- 2.3 DIELECTRIC WITHSTANDING VOLTAGE: 100V AC R.M.S.
- 2.4 INSULATION RESISTANCE 100MΩ Min
- 2.5 OPERATING TEMPERATURE: -40°C~85°C

#### 3 MECHANICAL CHARACTERISTICS:

- 3.1 MATING FORCE: 5~20 N.
- 3.2 UNMATED FORCE: 6~20N AFTER TEST
- 3.3 DURABILITY: 10,000 CYCLES, 500 CYCLES/H

#### 4.PLATING

CONTACT: CONTACT AREA PLATING Au ,SOLDER AREA PLATING 60U" MATTING Sn.  
SHELL/BUCKLE:20U" Min PLATING OVER ALL



REV.	REVISION RECORD	DATE	GENERAL TOLERANCES		SCALE:	NAME	DATE	PART. NO: 70500C24-FPXXX-U30-66
A0	新图面发行	2017.05.05	LINEAR	ANGLES	1:1	Michael	2017.05.05	
			0.0±0.30	X° REF±6°	APPROVED			
			UNIT: MM	0.00±0.20	DESIGNER			
			SIZE: A4	0.000±0.10	DRAWN	Michael	2017.05.05	
TITLE: 24PIN USB C TYPE 3.0 PLUG Rd5.1k								DWG. NO: ENDE05
								REV: A0 SHEET: 1/1