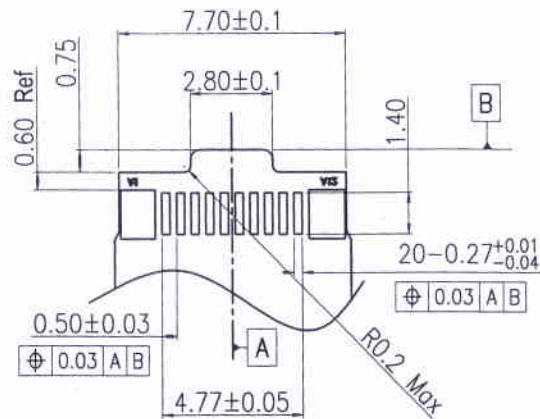
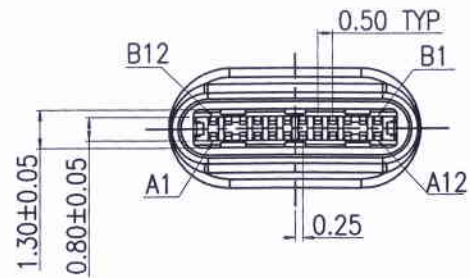
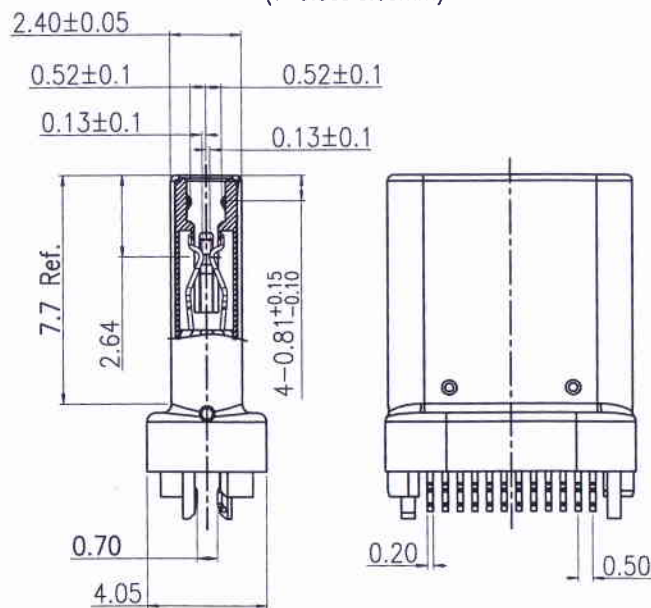
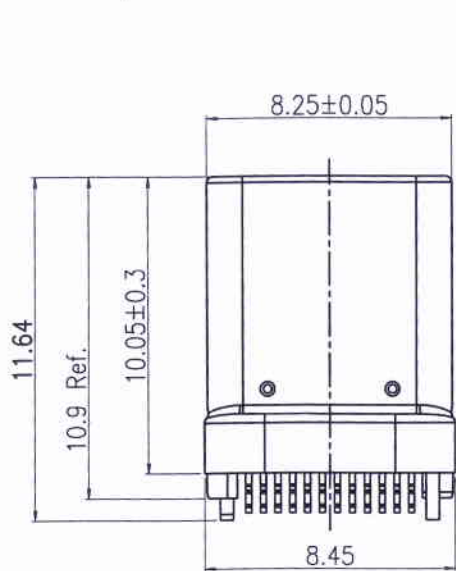


HALOGEN FREE



RECOMMENDED P.C.B. LAYOUT
(T=0.80±0.05mm)



NOTE:

- 1.MATERIAL:
 - 1.1 INSULATOR: HIGH TEMPERATURE PLASTIC UL 94 V-0;
 - 1.2 CONTACT: COPPER ALLOY(T=0.15mm)
 - 1.3 SHELL: STEEL(T=0.15mm)
- 2.ELECTRICAL CHARACTERISTICS;
 - 2.1 CONTACT RESISTANCE: 40mΩ Max FOR INITIAL. 10mΩ CHANGE AFTER TEST. MEASURE AT 20mV, 100mA.
 - 2.2 CONTACT CURRENT RATING: 5A Max FOR VBUS/GND PIN; 0.9A Max FOR Other PIN.
 - 2.3 DIELECTRIC WITHSTANDING VOLTAGE: 100V AC R.M.S.
 - 2.4 INSULATION RESISTANCE 100MΩ Min
 - 2.5 OPERATING TEMPERATURE: -40°C~85°C
- 3 MECHANICAL CHARACTERISTICS:
 - 3.1 MATING FORCE: 5~20 N.
 - 3.2 UNMATED FORCE: 6~20N AFTER TEST
 - 3.3 DURABILITY: 10,000 CYCLES, 500 CYCLES/H
- 4.PLATING

CONTACT: CONTACT AREA PLATING Au ,SOLDER AREA PLATING 60U" MATTING Sn.

SHELL/BUCKLE:20U" Min PLATING OVER ALL

HOW TO WORD

70500C24-FP X XX -XX

Plastic color:
A:black K:white

Finish spec:
B5: Au 30U"
0G: Au 15U"
5E: Au 5U"
0A: Au 1U"

05: Fog nickel Shell
06: Gold plated Shell
07: Bright nickel Shell



REV.	REVISION RECORD	DATE	GENERAL TOLERANCES		SCALE:	NAME	DATE	PART. NO:
A0	新图面发行	2017.04.19	LINEAR	ANGLES	1:1	Michael	2017.04.19	
			0.0±0.30	X° REF±6°	APPROVED:			DWG. NO:
			0.00±0.20	X° ±3°	DESIGNER:	Fangchao	2017.4.19	ENDE05
			0.000±0.10	X° X'±2°	DRAWN:	Michael	2017.04.19	REV: A0 SHEET: 1/1

JCTC
TERMINAL & CONNECTORS

胜蓝科技股份有限公司
东莞市富智达电子科技有限公司

TITLE:
24Pin USB C TYPE PLUG (不带板)