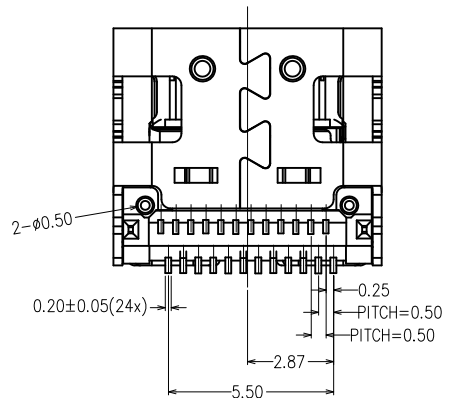
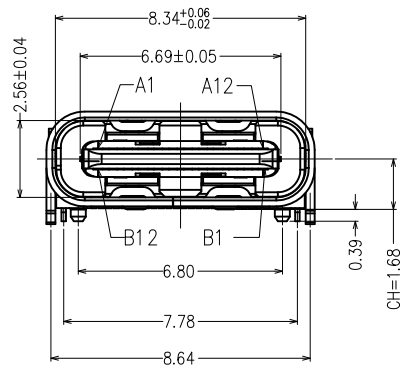
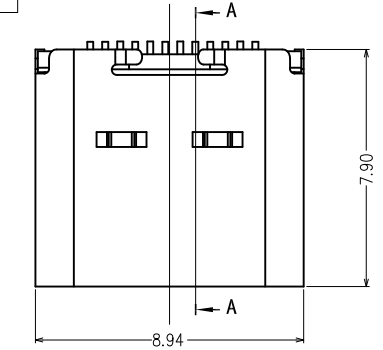


RoHS+HF

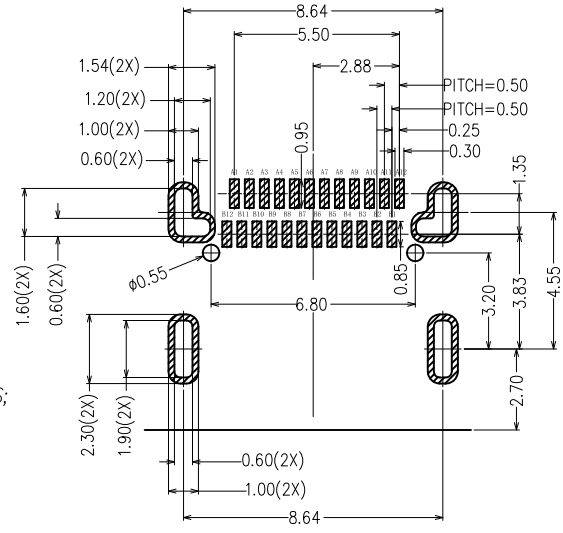
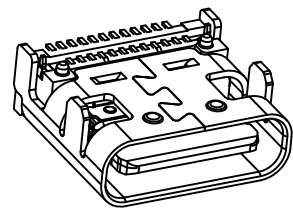
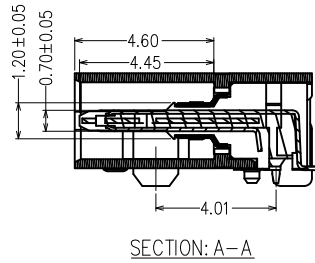
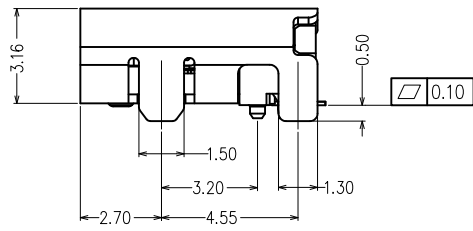
REV	DESCRIPTION	DATE	APPROVED
A0	NEW RELEASE	2019.10.21	JANNE

1  
2  
3  
4  
5  
6  
7



**SPECIFICATION**

- ELECTRICAL CHARACTERISTICS:**
  - VOLTAGE&CURRENT RATING:DC 30V MAX&3A
  - CONTACT RESISTANCE: 40mΩ MAX INITIAL.
  - INSULATION RESISTANCE: 1000MΩ MIN FOR VOLTAGE 100VDC.
  - DIELECTRIC WITHSTAND: 100V AC for 1 MINUTE
  - OPERATING TEMPERATURE: -25°C~+85°C
- MECHANICAL CHARACTERISTICS:**
  - INSERT FORCE: 5-20N Max
  - WITHDRAW FORCE: 8-20N Min
  - LIFE TEST :10,000 CYCLES
- SALT SPRAY: 48 HOURS Min.;**
- THE MATERIALS AND PROCESSES USED IN THIS PRODUCT SHALL COMPLY WITH THE CONTROL REQUIREMENTS OF ROHS 2.0 AND HF TECHNICAL STANDARDS;**



RECOMMENDED P.C.B. LAYOUT  
TOLERANCE UNSPECIFIED ±0.05mm

A1	GND	B12	GND
A2	SSTXP1	B11	SSRXP1
A3	SSTXN1	B10	SSRXN1
A4	VBUS	B9	VBUS
A5	CC1	B8	SBU2
A6	DP1	B7	DN2
A7	DN1	B6	DP2
A8	SBU1	B5	CC2
A9	VBUS	B4	VBUS
A10	SSRXN2	B3	SSTXN2
A11	SSRXP2	B2	SSTXP2
A12	GND	B1	GND
PIN	SIGNAL NAME	PIN	SIGNAL NAME

TABLE:

NO.	DESCRIPTION	MATERIAL	REMARKS	QTY
5	SHELL	STAINLESS STEEL	NI/SN Plated	1PCS
4	SPRING	STAINLESS STEEL	---	1PCS
3	SHIELDING PLATE	STAINLESS STEEL	NI Plated	1PCS
2	CONTACT	COPPER ALLOY	Au/Ni Plated	1SET
1	HOUSING	HIGH TEMPERATURE PLASTIC	BLACK	1PCS

一般公差GENERAL TOLERANCE		绘图 DR.
X.X ±0.20	X' ±2'	校对 CHK.
X.XX ±0.10	X.X' ±1'	审核 CHK.
X.XXX ±0.05	X.XX' ±0.5'	核准 APPD.
单位 UNIT		
mm		

**JCTC**® 胜蓝科技股份有限公司  
TERMINAL & CONNECTORS 东莞市富智达电子科技有限公司

品名TITLE  
USB C TYPE 板上型 双排SMT,L=7.90mm H=3.20mm

料号 PART NO. 70500C24-FRAA30C-R		
文件编号 NUMBER ENDE05		
比例SCALE 1:1	SHEET 1/1	版次REV. A0

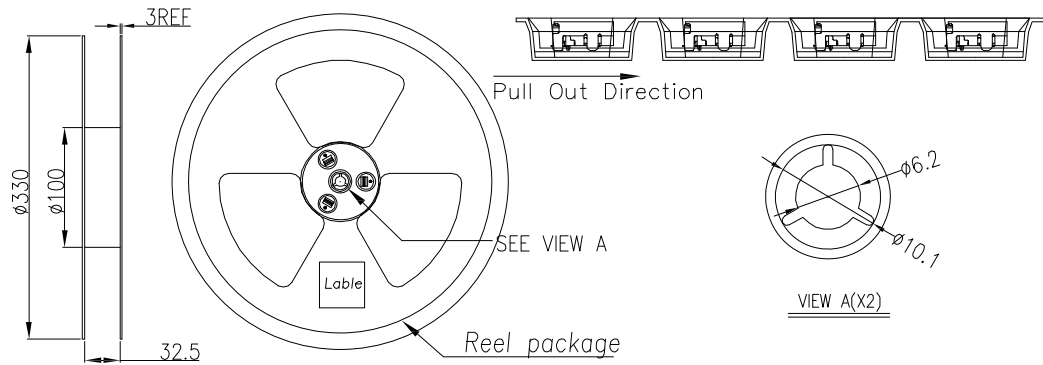
1  
2  
3  
4  
5  
6  
7  
8

A B C D E F

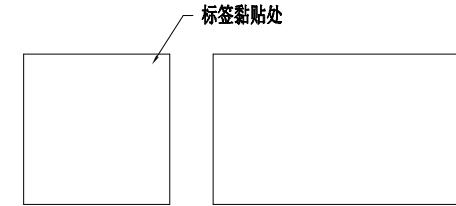
REV	DESCRIPTION	DATE	APPROVED
AO	NEW RELEASE	2019.10.21	JANNE

□ Packing Notes:

1. Reel : 900pcs/ Reel.
2. Carton : 9900pcs/ 11 Reel/ Carton.

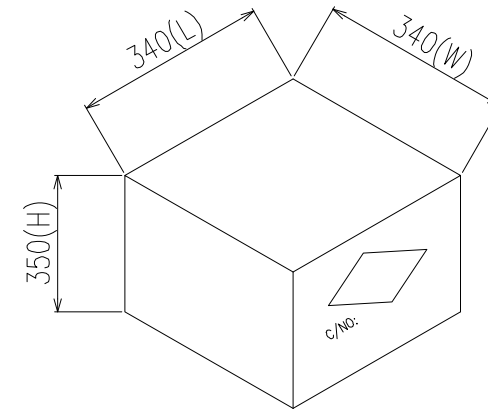
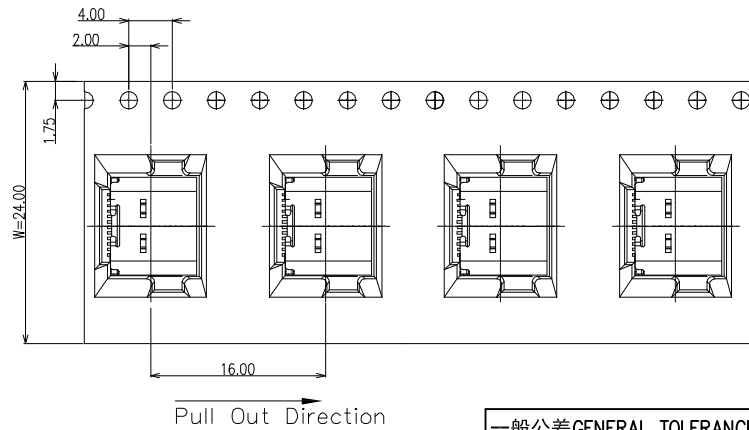
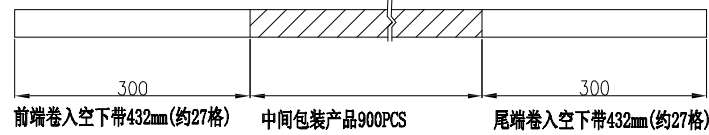


- 1) 用TAPE将纸箱封实.
- 2) 将标签贴于纸箱侧 麦上方.



备 注 (REMARK)

- 1). 若有未装满之零数箱, 必须以缓冲材塞满.
- 2). 在搬运过程中要轻拿轻放.
- 3). 在运输中不可堆放过多, 不可有重压现象.
- 4). 上带在黏贴下带时必须平整, 且黏贴处不要出现气泡.



一般公差GENERAL TOLERANCE		绘图 DR.	JCTC® 胜蓝科技股份有限公司 东莞市富智达电子科技有限公司
X.X ±0.20	X' ±2'	校对 CHK.	
X.XX ±0.10	X.X' ±1'	审核 CHK.	
X.XXX ±0.05	X.XX' ±0.5'	核准 APPD.	
单位 UNIT mm			

品名TITLE	USB C TYPE 板上型 双排SMT,L=7.90mm H=3.20mm
---------	--

料号 PART NO.	70500C24-FRAA30C-R	
文件编号 NUMBER	ENDE05	
比例SCALE	SHEET	版次REV.
1:1	1/1	A0