

RECOMMENDED PCB LAYOUT
GENERAL TOLERANCE ± 0.05

NOTES:

- MATERIAL:
HOUSING: SOLDER REFLOW PROCESS COMPATIBLE LCP, BLACK, UL 94V-0
CONTACTS: HIGH PERFORMANCE COPPER ALLOY, PLATING REFER TO P/N SYSTEM
LATCH: STAINLESS STEEL, SOLDERABLE NICKEL OVERALL
- RoHS COMPLIANT
- P/N ORDER

SLIMSAS SERIAL 8 0601W 0 0-2X38P A-S F-X 0 5

PDUUCT PITCH
1001; 1.00mm pitch #1 Type;
0601; 0.60mm pitch #1 Type;

H: HOUSE
W: ASSEMBLY PRODUCT

0: 180° 1: 90°

0: UL94V-0;
1: UL94V-1;

SERIAL NUMBER: 1,2,.....

CONTACT PLATED: 0:30U* 1:15U*

DIP LENGTH 0: 1.50mm; A: 2.20mm
B: 3.00mm C: 4.20mm

F: WITH LOCATING POST

S: SMT TYPE

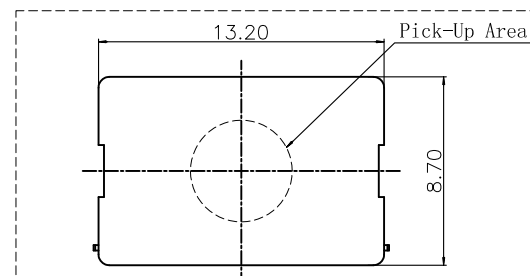
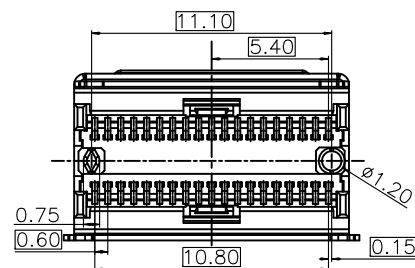
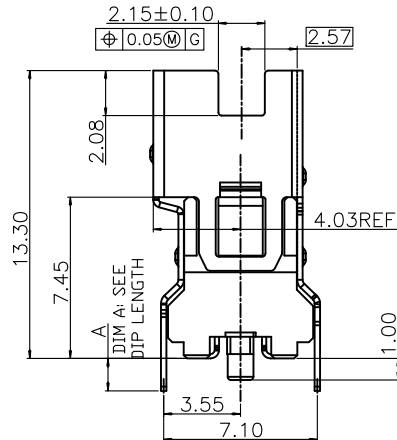
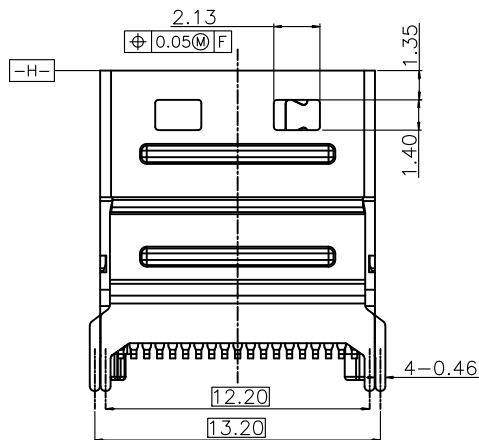
HSG COLOR: X: NATURAL A: BLACK


CONTACT NUMBER:

38P: 38PIN CONTACT

2X: DOUBLE ROW CONTACT

3X: THREE ROW CONTACT



REV.	REVISION RECORD	DATE	GENERAL TOLERANCES		SCALE:	NAME	DATE	PART. NO:	DWG. NO:	 TERMINAL&CONNECTORS	
A0	新图面发行	2020. 04. 17	LINEAR	ANGLES	1:1			80601W00-2X38PA-SF-X05	ENDE05		
			0.0±0.30	X° REF±6°	APPROVED						
			0.00±0.20	X° ±3°	DESIGNER						
			UNIT: MM		DRAWN	Wang_jr	2020. 04. 17	TITLE:		REV: A0	SHEET: 1/1
			SIZE: A4	0.000±0.10				SLIMSAS 4X SOCKET VERTICAL			